

**CHAPTER**

**57**

**WINGS**

CESSNA®  
**MODEL 208**  
 ILLUSTRATED PARTS CATALOG

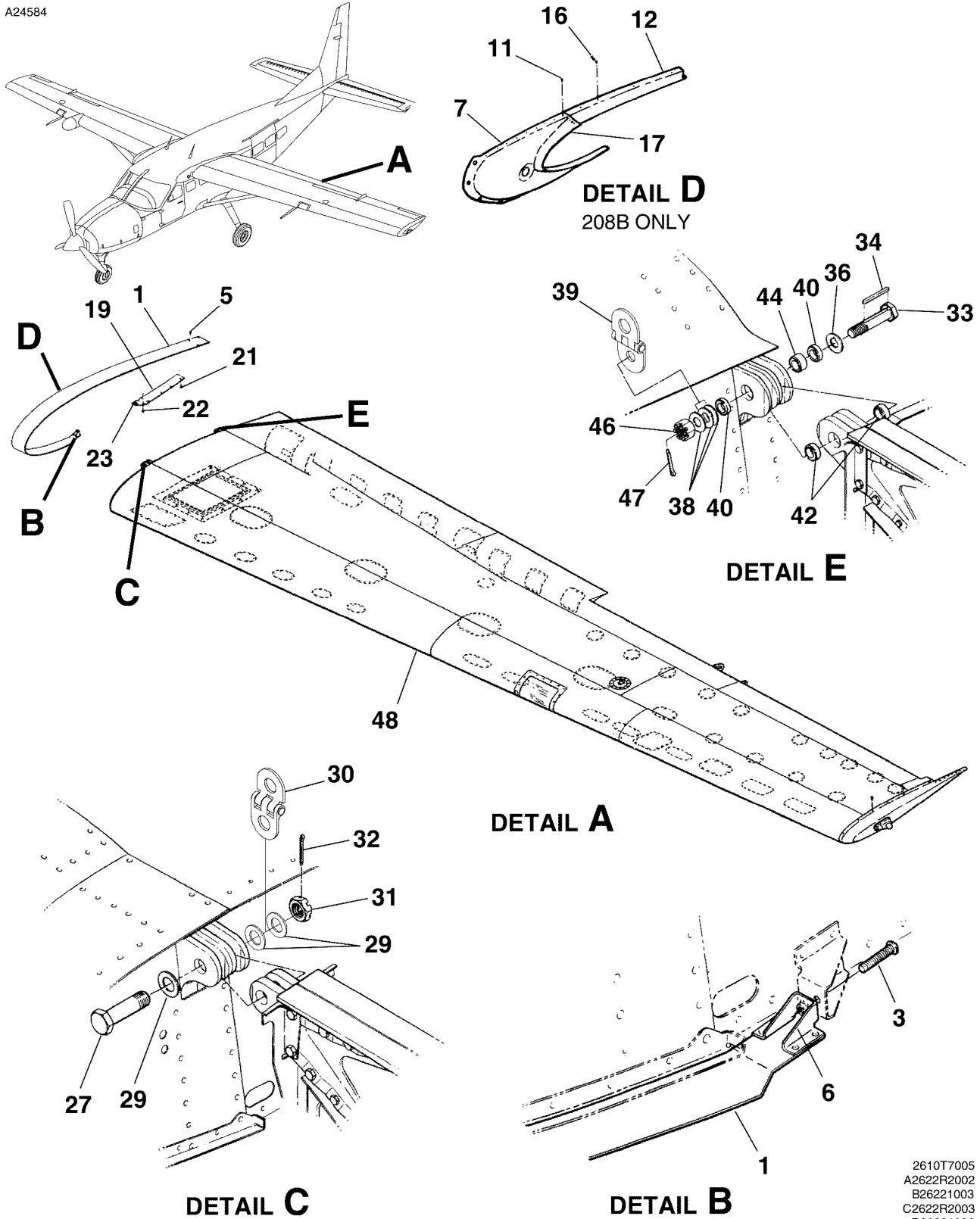
<b>CHAPTER SECTION SUBJECT</b>		<b>NUMBER OF PAGES</b>	<b>DATE</b>
57 - TITLE			
57 - LIST OF EFFECTIVE PAGES			
57 - RECORD OF TEMPORARY REVISIONS			
57 - TABLE OF CONTENTS			
57-10-00	Figure 01	2	Mar 1/2020
57-10-01	Figure 01	4	Sep 1/2016
57-10-01	Figure 02	2	Jun 1/2013
57-10-02	Figure 01	6	Mar 1/2015
57-10-02	Figure 02	4	Sep 1/2016
57-10-02	Figure 03	4	Mar 1/2020
57-10-02	Figure 04	4	Mar 1/2015
57-10-03	Figure 01	4	Jun 1/2013
57-10-03	Figure 02	4	Jun 1/2013
57-10-03	Figure 03	4	Apr 1/2016
57-10-03	Figure 04	8	Sep 1/2019
57-10-03	Figure 05	2	Mar 1/2015
57-10-04	Figure 01	6	Mar 1/2020
57-11-00	Figure 01	6	Mar 1/2020
57-11-01	Figure 01	6	Sep 1/2019
57-30-00	Figure 01	2	Sep 6/2004
57-40-00	Figure 01	20	Sep 1/2017
57-50-00	Figure 01	2	Jun 1/2013
57-50-00	Figure 02	8	Dec 1/2012
57-50-00	Figure 03	2	Jun 1/2013
57-60-00	Figure 01	6	Jun 1/2010
57-70-00	Figure 01	2	Mar 1/2019

CESSNA®  
**MODEL 208**  
 ILLUSTRATED PARTS CATALOG

<u>SUBJECT</u>	<u>CHAPTER SECTION SUBJECT</u>	<u>FIGURE</u>	<u>EFFECTIVITY</u>	
			<u>START</u>	<u>END</u>
WING INSTALLATION	57-10-00	01		
WING STRUCTURE ASSEMBLY	57-10-01	01		
WING TKS DOUBLER INSTALLATION WS 44.00 TO WS 104.75	57-10-01	02	B2000	B2091
WING STRUCTURE COMPONENTS - FUEL BAY INBOARD	57-10-02	01		
WING STRUCTURE COMPONENTS - FUEL BAY CENTER INBOARD	57-10-02	02		
WING STRUCTURE COMPONENTS - FUEL BAY CENTER OUTBOARD	57-10-02	03		
WING STRUCTURE COMPONENTS - FUEL BAY OUTBOARD	57-10-02	04		
FRONT WING SPAR ASSEMBLIES - 208	57-10-03	01	0001	0010
			0012	0012
FRONT WING SPAR ASSEMBLIES - 208	57-10-03	02	0011	0011
			0013	0049
FRONT WING SPAR ASSEMBLIES - 208 & 208B	57-10-03	03	0050	0237
			B0001	B0399
FRONT WING SPAR ASSEMBLIES - 208 & 208B	57-10-03	04	0238	& ON
			B0400	& ON
WING SPAR REAR ASSEMBLIES	57-10-03	05		
WING STRUT INSTALLATION	57-10-04	01		
WING SKINS AND COMPONENTS	57-11-00	01		
ACCESS PANELS - WING	57-11-01	01		
WING TIP INSTALLATION	57-30-00	01		
WING LEADING EDGE ASSEMBLIES	57-40-00	01		
FLAP INSTALLATION	57-50-00	01		
FLAP ASSEMBLY - STRUCTURE	57-50-00	02		
FLAP ASSEMBLY - SKIN	57-50-00	03		
AILERON INSTALLATION	57-60-00	01		
WING SPOILER INSTALLATION	57-70-00	01		

CESSNA®  
**MODEL 208**  
 ILLUSTRATED PARTS CATALOG

A24584



WING INSTALLATION  
 FIGURE 01 (SHEET 1)

2610T7005  
 A2622R2002  
 B26221003  
 C2622R2003  
 D26221006

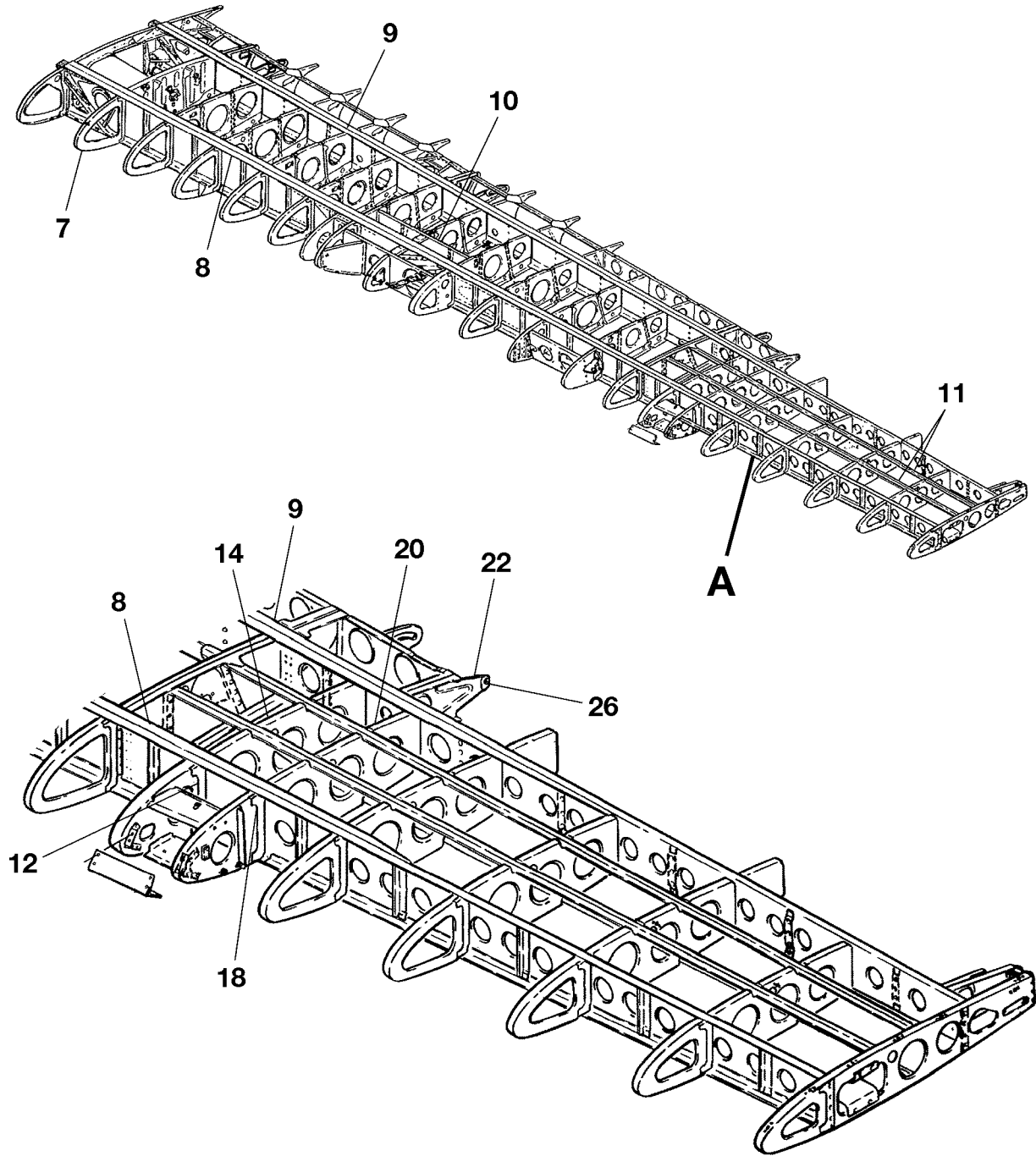
**CESSNA®**  
**MODEL 208**  
**ILLUSTRATED PARTS CATALOG**

FIG ITEM	PART NUMBER	NOMENCLATURE	UNITS PER ASSY	
			1 2 3 4 5 6 7	
01		WING INSTALLATION		RF
-				
1	2620014-23	. STRAP FAIRING ASSY-LH .032 2024 T42 . . . . .	0001	& ON 01
- 2	2620014-24	. STRAP FAIRING ASSY-RH .032 2024 T42 . . . . .	0001	& ON 01
3	AN4-12A	. BOLT-STRAP FAIRING ATTACH . . . . .	0001	& ON 01
- 4	NAS1149F0463P	. WASHER-STRAP FAIRING ATTACH . . . . .	0001	& ON 01
5	MS35207-285	. SCREW-STRAP FAIRING ATTACH . . . . .	0001	& ON 03
6	2620016-1	. BRACKET ASSY-WING FAIRING .040 4130 90K . . . . .	0001	& ON 01
7	2620023-13	. FAIRING ASSY-WING LH . . . . .	B0001	B0054 01
- 8	2620023-41	. FAIRING ASSY-WING LH . . . . .	B0055	& ON 01
- 9	2620023-14	. FAIRING ASSY-WING RH . . . . .	B0001	B0054 01
- 10	2620023-42	. FAIRING ASSY-WING RH . . . . .	B0055	& ON 01
11	AN525-10R7	. SCREW-FAIRING ASSY ATTACH . . . . .	B0001	& ON 46
12	2620023-21	. STRAP ASSY LH .032 2024 T42 . . . . .	B0001	B0054 01
- 13	2620023-43	. STRAP ASSY LH . . . . .	B0055	& ON 01
- 14	2620023-22	. STRAP ASSY RH .032 2024 T42 . . . . .	B0001	B0054 01
- 15	2620023-44	. STRAP ASSY RH . . . . .	B0055	& ON 01
16	AN525-10R7	. SCREW-STRAP ASSY ATTACH . . . . .	B0001	& ON 05
17	MS21047L3	. NUTPLATE . . . . .	B0001	B0054 01
- 18	MS21047L3	. NUTPLATE . . . . .	B0055	& ON 02
19	2620014-29	. FAIRING ASSY-WING LWR LH .025 2024 T42 . . . . .		01
- 20	2620014-30	. FAIRING ASSY-WING LWR RH .025 2024 T42 . . . . .		01
21	AN525-10R6	. SCREW-FAIRING ASSY ATTACH . . . . .		04
22	MS24693-S270	. SCREW-FAIRING ASSY ATTACH . . . . .		01
23	S2319-30	. RECEPTACLE . . . . .		01
- 24	S2319-40	. SHIM . . . . .		01
- 25		. WING ASSY-LH . . . . .		RF
- 26		. WING ASSY-RH . . . . .		RF
27	NAS464P14-39	. BOLT-WING ASSY ATTACH FSO S3461-76 . . . . .	0001	0302 01 R
			B0001	B0735
- 28	S3461-76	. BOLT MPI-WING ASSY ATTACH . . . . .	0303	& ON 01 R
			B0736	& ON
29	NAS1149F1432P	. WASHER-WING ASSY ATTACH USED WITHOUT HOISTING PROVISIONS . . . . .		06 R
- 29A	NAS1149F1432P	. WASHER-WING ASSY ATTACH USED WITH HOISTING PROVISIONS . . . . .		04 R
- 29B	NAS1149F1490	. WASHER-USED WITH HOISTING PROVISIONS . . . . .		04 R
30	2601102-1	. HINGE ASSY-WING ASSY ATTACH HOISTING FWD . . . . .		01
31	MS17826-14	. NUT-WING ASSY ATTACH . . . . .		01
32	MS24665-360	. COTTER PIN-WING ASSY ATTACH . . . . .		01
33	2622244-2	. BOLT-WING ASSY ATTACH . . . . .		01
34	2622243-5	. KEY-WING ASSY ATTACH FSO 2622243-14 . . . . .	0001	0196 NP
			B0001	B0226
- 35	2622243-6	. KEY-WING ASSY ATTACH FSO 2622243-14 . . . . .	0197	0403 NP
			B0227	B1226
- 35A	2622243-14	. KEY-WING ASSY ATTACH . . . . .	0404	& ON 01
			B1227	& ON
36	2622243-4	. WASHER-WING ASSY ATTACH FSO 2622243-10 . . . . .	0001	0210 NP
			B0001	B0293
- 37	2622243-10	. WASHER-WING ASSY ATTACH . . . . .	0211	& ON 01
			B0294	& ON
38	NAS1149F1063P	. WASHER-WING ASSY ATTACH . . . . .		03
39	2601102-4	. HINGE ASSY-WING ASSY ATTACH HOISTING AFT REPLACES 2 WASHERS . . . . .		01
40	2622243-1	. ECCENTRIC-WING ASSY ATTACH . . . . .	0001	0203 02
			B0001	B0264
- 41	2622243-7	. ECCENTRIC-WING ASSY ATTACH FSO 2622243-11 . . . . .	0204	0399 NP
			B0265	B1180
- 41A	2622243-11	. ECCENTRIC-WING ASSY ATTACH . . . . .	0400	& ON 02
			B1181	& ON
42	2622243-2	. ECCENTRIC-WING ASSY ATTACH . . . . .	0001	0203 02
			B0001	B0264
- 43	2622243-8	. ECCENTRIC-WING ASSY ATTACH FSO 2622243-12 . . . . .	0204	0399 NP
			B0265	B1180
- 43A	2622243-12	. ECCENTRIC-WING ASSY ATTACH . . . . .	0400	& ON 02
			B1181	& ON
44	2622243-3	. ECCENTRIC-WING ASSY ATTACH CENTER WEB . . . . .	0001	0203 01
			B0001	B0264
- 45	2622243-9	. ECCENTRIC-WING ASSY ATTACH CENTER WEB FSO 2622243-13 . . . . .	0204	0399 NP
			B0265	B1180
- 45A	2622243-13	. ECCENTRIC-WING ASSY ATTACH . . . . .	0400	& ON 01
			B1181	& ON
46	MS17825-10	. NUT-WING ASSY ATTACH . . . . .		01
47	MS24665-357	. COTTER PIN-WING ASSY ATTACH . . . . .		01
48		. STRUCTURE ASSY-WING REFER TO 57-10-01 FIGURE 01 . . . . .		RF

- ITEM NOT ILLUSTRATED

CESSNA®  
**MODEL 208**  
ILLUSTRATED PARTS CATALOG

A24585



**DETAIL A**

WING STRUCTURE ASSEMBLY  
FIGURE 01 (SHEET 1)

2622R3001  
A2622R3001

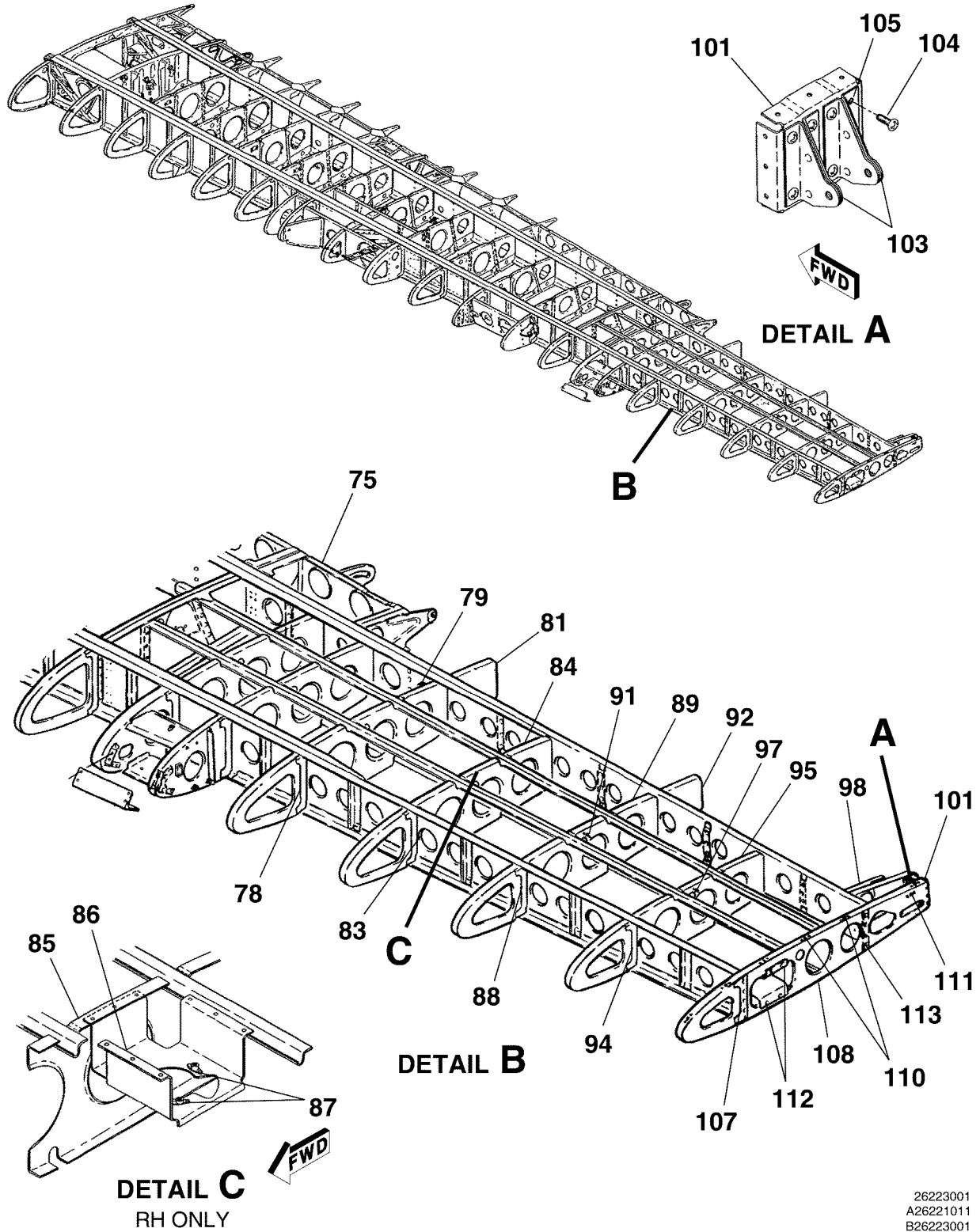
**CESSNA®**  
**MODEL 208**  
**ILLUSTRATED PARTS CATALOG**

FIG ITEM	PART NUMBER	NOMENCLATURE	UNITS PER ASSY	
			1 2 3 4 5 6 7	
01		WING STRUCTURE ASSEMBLY		RF
-		WING ASSY-LH		01
- 1	2620000-1	WING ASSY-LH		01
- 2	2620000-2	WING ASSY-RH		01
- 3	2622000-1	STRUCTURE ASSY-WING LH FSO 2622000-119	0001 0112	NP
- 4	2622000-2	STRUCTURE ASSY-WING RH FSO 2622000-120	0001 0112	NP
- 5	2622000-101	STRUCTURE ASSY-WING LH FSO 2622000-119	0113 0237	NP
- 5A	2622000-119	STRUCTURE ASSY-WING LH	B0001 B0399	
- 5B	2622000-123	STRUCTURE ASSY-WING LH	0238 0395	01
- 6	2622000-102	STRUCTURE ASSY-WING RH FSO 2622000-120	B0400 & ON	
- 6A	2622000-120	STRUCTURE ASSY-WING RH	0396 & ON	01
- 6B	2622000-124	STRUCTURE ASSY-WING RH	0113 0237	NP
7		LEADING EDGE ASSY-WING REFER TO 57-40-00 FIGURE 01	B0001 B0399	
8		SPAR ASSY-WING FRONT REFER TO 57-10-03 FIGURE 01	0238 0395	01
9		SPAR ASSY-WING REAR REFER TO 57-10-03 FIGURE 01	B0400 & ON	
10		FUEL BAY COMPONENTS-WING REFER TO 57-10-02 FIGURE 01	0396 & ON	01
11		SKINS & COMPONENTS-WING REFER TO 57-11-00 FIGURE 01	0113 0237	NP
12	2622301-3	ATTACH BRACKET-LEADING EDGE RIB ATTACH LH WS 226.00 .040 2024 T42	0396 & ON	01
- 13	2622301-4	ATTACH BRACKET-LEADING EDGE RIB ATTACH RH WS 226.00 .040 2024 T42		01
14	DEV260015-3	RIB ASSY-CENTER LH WS 226.00	0001 0025	01
- 15	2622209-1	RIB-CENTER LH WS 226.00 .032 2024 T42	0026 & ON	01
- 16	DEV260015-2	RIB ASSY-CENTER RH WS 226.00	B0001 & ON	
- 17	2622209-2	RIB-CENTER RH WS 226.00 .032 2024 T42	0001 0025	01
18	2622302-5	ATTACH BRACKET-LEADING EDGE RIB ATTACH LH WS 233.50 .040 2024 T42	0026 & ON	01
- 19	2622302-6	ATTACH BRACKET-LEADING EDGE RIB ATTACH RH WS 233.50 .040 2024 T42	B0001 & ON	
20	2622209-3	RIB-CENTER LH WS 233.50 .032 2024 T42		01
- 21	2622209-4	RIB-CENTER RH WS 233.50 .032 2024 T42		01
22	2622185-1	RIB ASSY-LH AILERON HINGE INBD FSO 2622185-21 .040 2024 T42	0001 0173	01
- 23	2622185-21	RIB ASSY-LH AILERON HINGE INBD	B0001 B0203	
- 24	2622185-2	RIB ASSY-RH AILERON HINGE INBD FSO 2622185-22 .040 2024 T42	0174 & ON	01
- 25	2622185-22	RIB ASSY-RH AILERON HINGE INBD	B0204 & ON	
26	MS24462-4	BEARING	0001 0173	01

- ITEM NOT ILLUSTRATED

CESSNA®  
**MODEL 208**  
 ILLUSTRATED PARTS CATALOG

A24586



WING STRUCTURE ASSEMBLY  
 FIGURE 01 (SHEET 2)

26223001  
 A26221011  
 B26223001  
 C26221012



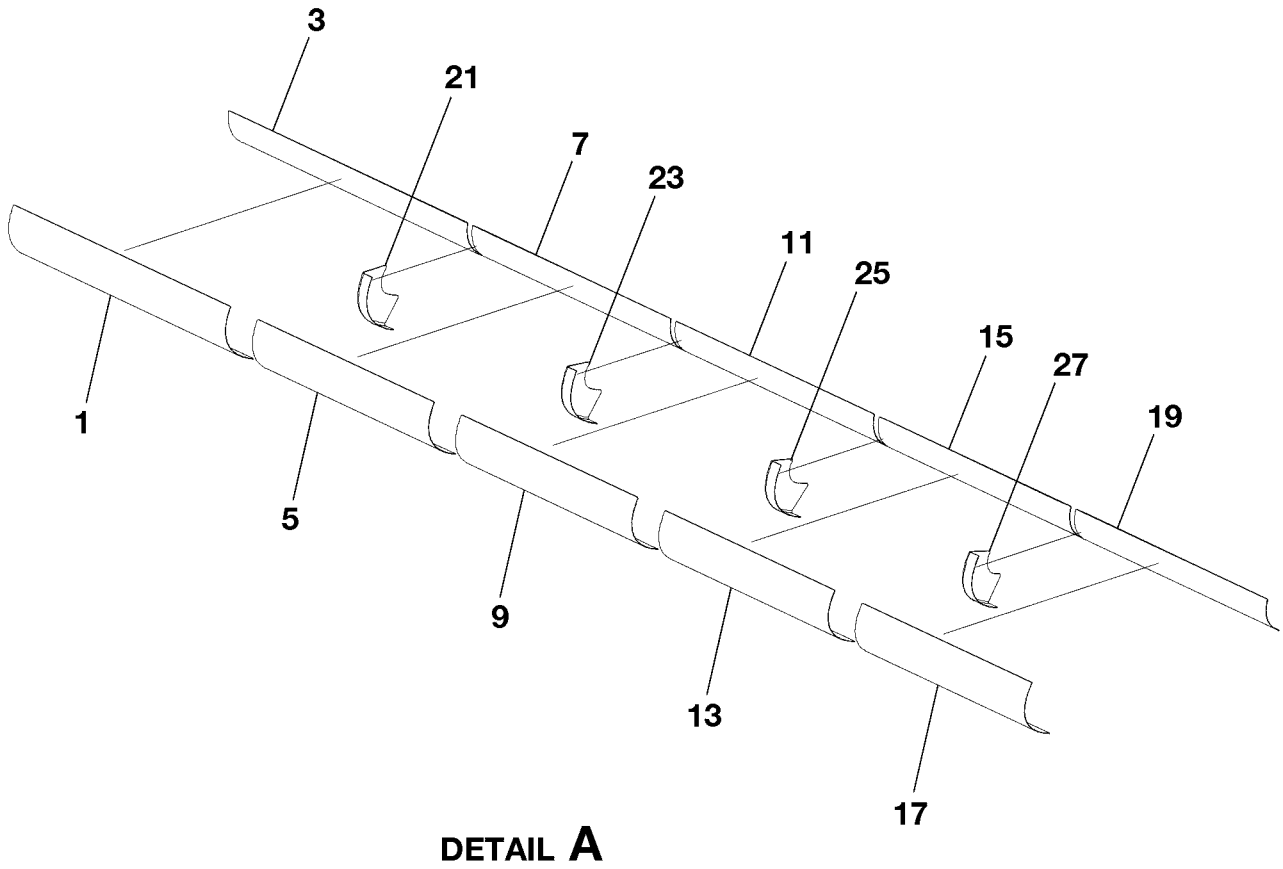
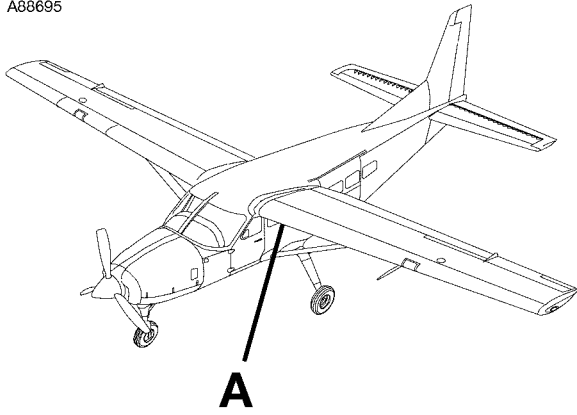
**CESSNA®**  
**MODEL 208**  
**ILLUSTRATED PARTS CATALOG**

FIG ITEM	PART NUMBER	NOMENCLATURE	UNITS	
			PER	ASSY
01				
75	2622179-7	INTERCOSTAL ASSY-OUTBD LH .020 2024 T42		01
- 76	2622179-8	INTERCOSTAL ASSY-OUTBD RH .020 2024 T42		01
- 77	MS21047L3	NUTPLATE-SPOILER HINGE PIN ATTACH		01
78	2622303-3	ATTACH BRACKET-LEADING EDGE RIB ATTACH WS 244.48 .032 2024 T42		01
79	2622207-1	RIB-CENTER LH WS 244.48 .032 2024 T42		01
- 80	2622207-2	RIB-CENTER RH WS 244.48 .032 2024 T42		01
81	2622128-1	RIB-TRAILING EDGE LH WS 244.48 .025 2024 T42		01
- 82	2622128-2	RIB-TRAILING EDGE RH WS 244.48 .025 2024 T42		01
83	2622304-3	ATTACH BRACKET-LEADING EDGE RIB ATTACH WS 260.36 .025 2024 T42		01
84	2622092-1	RIB-CENTER LH WS 260.36 .025 2024 T42		01
85	2622092-2	RIB-CENTER RH WS 260.36 .025 2024 T42		01
86	2622200-1	BRACKET ASSY-FLUX DETECTOR RH WING ONLY .032 2024 T42	0001 0499	01
			B0001 B1999	
87	MS21048L08	NUTPLATE		03
88	2622305-3	ATTACH BRACKET-LEADING EDGE RIB ATTACH WS 276.24 .025 2024 T42		01
89	2622094-3	RIB ASSY-CENTER LH WS 276.24 .025 2024 T42		01
- 90	2622094-4	RIB ASSY-CENTER RH WS 276.24 .025 2024 T42		01
91	MS21047L3K	NUTPLATE		02
92	2622128-3	RIB-TRAILING EDGE LH WS 276.24 .025 2024 T42		01
- 93	2622128-4	RIB-TRAILING EDGE RH WS 276.24 .025 2024 T42		01
94	2622306-3	ATTACH BRACKET-LEADING EDGE RIB ATTACH WS 292.12 .025 2024 T42		01
95	2622093-3	RIB ASSY-CENTER LH WS 292.12 .025 2024 T42		01
- 96	2622093-4	RIB ASSY-CENTER RH WS 292.12 .025 2024 T42		01
97	MS21047L3K	NUTPLATE		02
98	2622185-15	RIB ASSY-AILERON HINGE OUTBD LH .040 2024 T42		01
- 99	2622185-16	RIB ASSY-AILERON HINGE OUTBD RH .040 2024 T42		01
- 100	MS24462-4	BEARING		01
101	2620020-1	BRACKET ASSY-PUSH ROD ATTACH LH	0001 0416	01
			B0001 B1305	
- 101A	2620020-8	BRACKET ASSY-PUSH ROD ATTACH LH	0417 & ON	01
			B1306 & ON	
- 102	2622183-1	CLOSURE ASSY-ACTUATOR RH .032 2024 T42		01
103	2620020-7	BRACKET ASSY-LH ONLY .040 2024 T42		02
		ATTACHING PARTS		
104	AN525-832R8	SCREW-LH ONLY		04
		*—		
105	MS21047L08K	NUTPLATE-LH ONLY		08
- 106	MS21073L3K	NUTPLATE-RH ONLY		04
107	2622307-5	ATTACH BRACKET-LEADING EDGE ATTACH WS 308.00 .025 2024 T42		01
108	2622186-1	RIB ASSY-CENTER LH WS 308.00	0001 0574	NP R
			B0001 B4999	
- 108A	2622186-12	RIB ASSY-CENTER LH WS 308.00	0575 & ON	01
- 108B	2622186-9	RIB ASSY-CENTER LH WS 308.00	B5000 B5179	01 R
- 108C	2622186-13	RIB ASSY-CENTER LH WS 308.00	B5180 & ON	01 R
- 109	2622186-2	RIB ASSY-CENTER RH WS 308.00 FSO 2622186-6	0001 0569	NP
			B0001 B4999	
- 109A	2622186-6	RIB ASSY-CENTER RH WS 308.00	0570 & ON	01
- 109B	2622186-10	RIB ASSY-CENTER RH WS 308.00	B5000 & ON	01
110	MS21059L08K	NUTPLATE		07
111	MS21047L3	NUTPLATE		01
112	2620021-1	BRACKET-STROBE LIGHT SUPPORT .025 2024 T42	0001 & ON	02
			B0001 B4999	
113	2622000-82	STIFFENER .032 2024 T42		01

- ITEM NOT ILLUSTRATED

CESSNA®  
**MODEL 208**  
ILLUSTRATED PARTS CATALOG

A88695



WING TKS DOUBLER INSTALLATION WS 44.00 TO WS 104.75  
FIGURE 02 (SHEET 1)

2610T7002  
A2622T1036

CESSNA®  
**MODEL 208**  
 ILLUSTRATED PARTS CATALOG

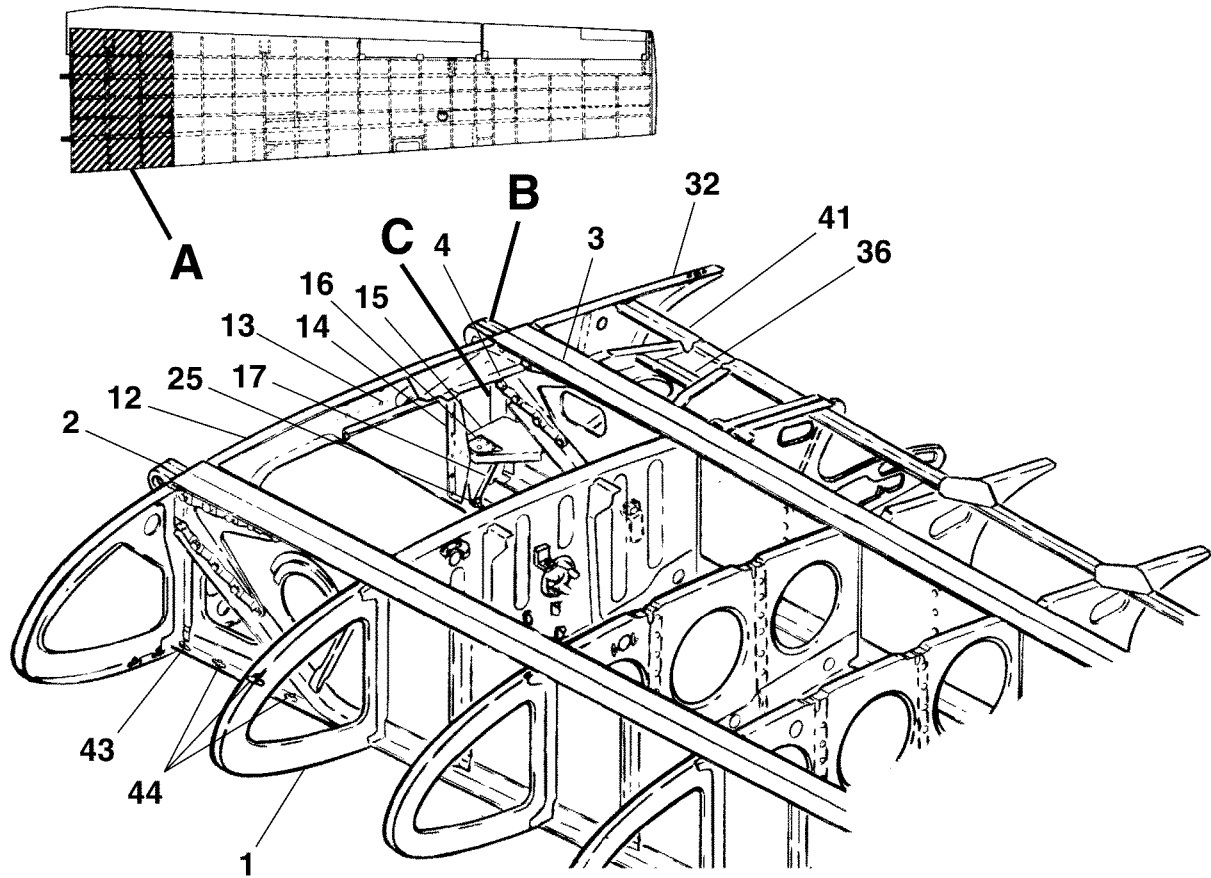
FIG ITEM	PART NUMBER	NOMENCLATURE	UNITS PER ASSY		
			1	2	3
02		WING TKS DOUBLER INSTALLATION WS 44.00 TO WS 104.75 -REFER TO	B2000	B2091	RF R
-		NOTE 1			
1	2601525-5	. DOUBLER-LH, FWD			01
- 2	2601525-6	. DOUBLER-RH, FWD			01
3	2601525-7	. DOUBLER-LH, AFT			01
- 4	2601525-8	. DOUBLER-RH, AFT			01
5	2601525-9	. DOUBLER-LH, FWD			01
- 6	2601525-10	. DOUBLER-RH, FWD			01
7	2601525-11	. DOUBLER-LH, AFT			01
- 8	2601525-12	. DOUBLER-RH, AFT			01
9	2601525-13	. DOUBLER-LH, FWD			01
- 10	2601525-14	. DOUBLER-RH, FWD			01
11	2601525-15	. DOUBLER-LH, AFT			01
- 12	2601525-16	. DOUBLER-RH, AFT			01
13	2601525-17	. DOUBLER-LH, FWD			01
- 14	2601525-18	. DOUBLER-RH, FWD			01
15	2601525-19	. DOUBLER-LH, AFT			01
- 16	2601525-20	. DOUBLER-RH, AFT			01
17	2601525-21	. DOUBLER-LH, FWD			01
- 18	2601525-22	. DOUBLER-RH, FWD			01
19	2601525-23	. DOUBLER-LH, AFT			01
- 20	2601525-24	. DOUBLER-RH, AFT			01
21	2601525-25	. CLIP-LH			01
- 22	2601525-26	. CLIP-RH			01
23	2601525-27	. CLIP-LH			01
- 24	2601525-28	. CLIP-RH			01
25	2601525-29	. CLIP-LH			01
- 26	2601525-30	. CLIP-RH			01
27	2601525-31	. CLIP-LH			01
- 28	2601525-32	. CLIP-RH			01

NOTE 1—THIS FIGURE CONTAINS PRODUCTION PARTS AND ASSEMBLIES INSTALLED WITH THE TKS SYSTEM. TO ORDER PARTS FOR SERIAL SPECIFIC CONFIGURATIONS/INSTALLATIONS MODIFIED BY SK208-174, SK208-175, SK208-179, SK208-180, CAB09-9, AND CAB08-7, PLEASE REFER TO THE LATEST APPLICABLE REVISION OF THE SPECIFIC CARAVAN BULLETIN (CAB) AND/OR SERVICE KIT (SK) FOR DETAILED INFORMATION.

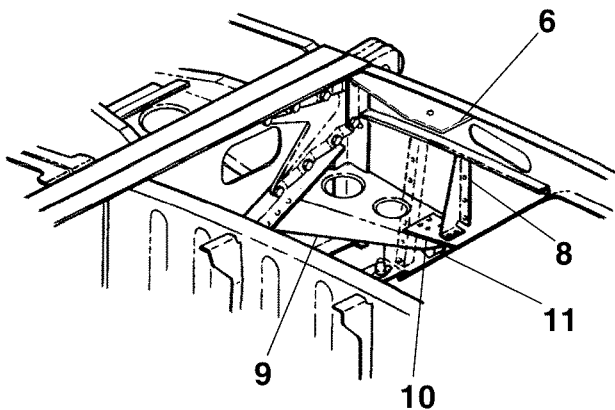
R

CESSNA®  
**MODEL 208**  
 ILLUSTRATED PARTS CATALOG

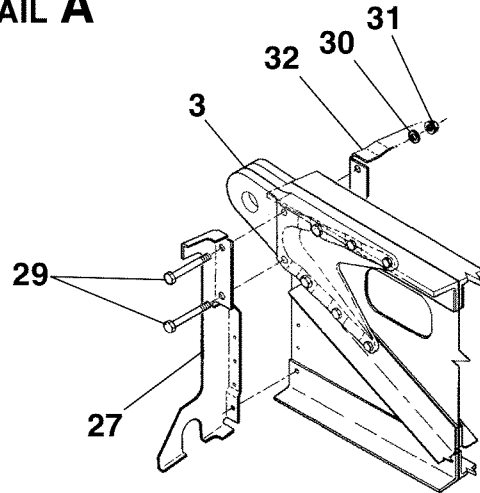
A24587



**DETAIL A**



**DETAIL C**  
 RH ONLY



**DETAIL B**

26202001  
 A26223001  
 B26221007  
 C26221008

WING STRUCTURE COMPONENTS - FUEL BAY INBOARD  
 FIGURE 01 (SHEET 1)

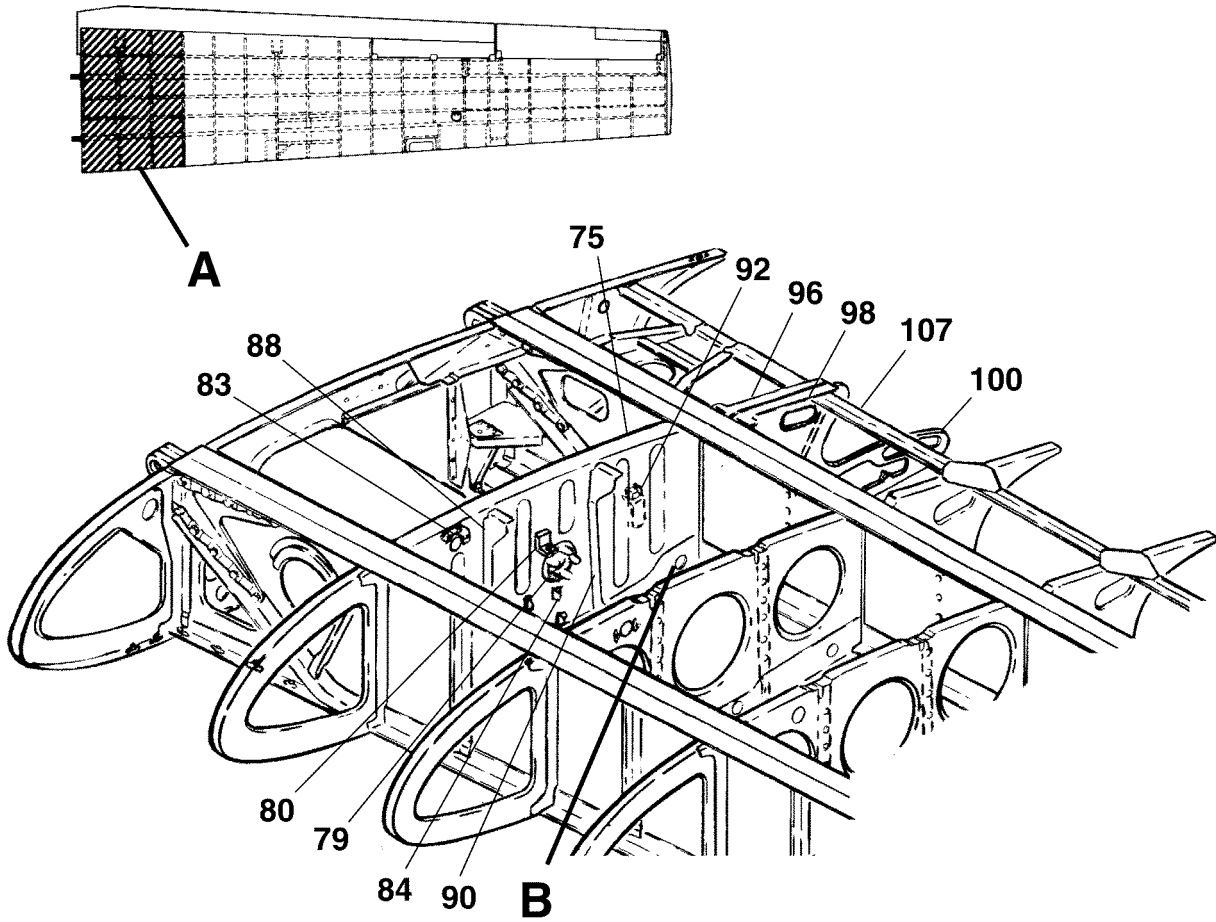
**CESSNA®**  
**MODEL 208**  
**ILLUSTRATED PARTS CATALOG**

FIG ITEM	PART NUMBER	NOMENCLATURE	UNITS	
			PER	ASSY
01		WING STRUCTURE COMPONENTS - FUEL BAY INBOARD REFER TO NOTE 1		RF
-		. LEADING EDGE ASSY-WING REFER TO 57-40-00 FIGURE 01 . . . . .		RF
1		. SPAR ASSY-WING FRONT REFER TO 57-10-03 FIGURE 01 . . . . .		RF
2		. SPAR ASSY-WING REAR REFER TO 57-10-03 FIGURE 01 . . . . .		RF
3		. BRACKET ASSY-BELLCRANK UPR LH .040 2024 T42 . . . . .		01
4	2622210-1	. SUPPORT INSTL-BELLCRANK RH . . . . .		01
- 5	2622310-1	. BRACKET ASSY-BELLCRANK 1.000 7075 T7351 . . . . .		01
6	2622308-1	. . . BUSHING . . . . .		01
- 7	NAS77-5-024	. . . SUPPORT .050 2024 T3 . . . . .		01
8	2622310-3	. . . SUPPORT-LOWER .040 2024 T42 . . . . .		01
9	2622310-2	. . . ANGLE-CANTED .063 2024 T3 . . . . .		01
10	2622310-4	. . . BRACKET-SUPPORT .050 2024 T3 . . . . .		01
11	2622142-10	. . . RIB ASSY-LH-CENTER WS 35.00 . . . . .		01
12	2622142-15	. . . NUTPLATE . . . . .		04
13	MS21047L3	. . . SUPPORT .050 2024 T42 . . . . .		01
14	2622142-5	. . . BRACKET-BELLCRANK LWR .040 2024 T42 . . . . .		01
15	2622172-3	. . . BELLCRANK DOUBLER-BRACKET .063 2024 T42 . . . . .		01
16	2622172-5	. . . SUPPORT BRACKET .050 2024 T42 . . . . .		01
17	2622142-9	. . . NUTPLATE . . . . .		01
- 18	NAS683A3	. . . NUTPLATE . . . . .		01
- 19	MS21069L3	. . . RIB ASSY-CENTER RH WS 35.00 FSO 2622309-5 . . . . .		NP
- 20	2622309-1	. . . RIB ASSY-CENTER RH WS 35.00 . . . . .		01
- 20A	2622309-5	. . . NUTPLATE . . . . .		01
- 21	NAS683A3	. . . NUTPLATE . . . . .		01
- 22	MS21069L3	. . . NUTPLATE . . . . .		01
- 23	2622309-3	. . . STIFFENER S81 2024 T3511 . . . . .		01
- 24	2622309-4	. . . STIFFENER S81 2024 T3511 . . . . .		01
25	S2319-30	. . . RECEPTACLE . . . . .		06
- 26	S2319-40	. . . SHIM . . . . .		06
27	2622143-1	. . . ATTACH BRACKET-LH AFT CENTER RIB WS 35.00 FSO 2622143-7 . . . . .	0001 0360	NP
			B0001 B0979	
- 27A	2622143-5	. . . ATTACH BRACKET-LH AFT CENTER RIB WS 35.00 FSO 2622143-7 . . . . .	0361 0523	NP
			B0980 B2213	
- 27B	2622143-7	. . . ATTACH BRACKET-LH . . . . .	0524 & ON	01
			B2214 & ON	
- 28	2622143-4	. . . ATTACH BRACKET-RH-AFT CENTER RIB WS 35.00 .040 2024 T42 . . . . .		01
		. . . ATTACHING PARTS		
29	NAS464P5A31	. . . BOLT . . . . .		02
30	NAS1149F0532P	. . . WASHER . . . . .		02
31	MS21042L5	. . . NUT . . . . .		02
		. . . *		
32	2622131-3	. . . RIB ASSY-TRAILING EDGE LH .025 2024 T42 . . . . .		01
- 33	2622131-4	. . . RIB ASSY-TRAILING EDGE RH .025 2024 T42 . . . . .		01
- 34	MS21051L3K	. . . NUTPLATE . . . . .		02
- 35	MS21047L3K	. . . NUTPLATE . . . . .		01
36	2622110-1	. . . ATTACH BRACKET ASSY-FLAP BELLCRANK UPR INBD LH .040 2024 T42 . . . . .		01
- 37	2622110-2	. . . ATTACH BRACKET ASSY-FLAP BELLCRANK UPR INBD RH .040 2024 T42 . . . . .		01
- 38	2622109-1	. . . ATTACH BRACKET ASSY-FLAP BELLCRANK LWR INBD LH .040 2024 T42 . . . . .		01
- 39	2622109-2	. . . ATTACH BRACKET ASSY-FLAP BELLCRANK LWR INBD RH .040 2024 T42 . . . . .		01
- 40	MS21047L4	. . . NUTPLATE LWR BRACKETS ONLY . . . . .		01
41	2622000-61	. . . STRINGER-LH S86 . . . . .		01
- 42	2622000-62	. . . STRINGER-RH S86 . . . . .		01
43	NAS683A3	. . . NUTPLATE . . . . .		01
44	MS21047L3	. . . NUTPLATE . . . . .		04

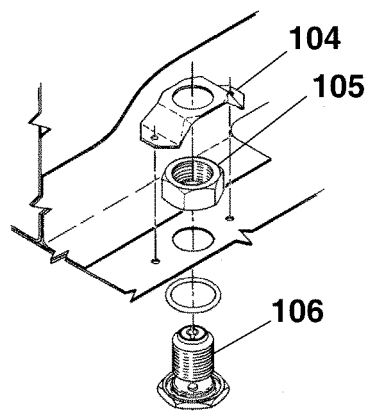
NOTE 1—AIRPLANES -0244 & ON AND -B0466 & ON, AND AIRPLANES -0001 THRU -0243 AND -B0001 THRU -B0465 INCORPORATING SK208-123 .

CESSNA®  
**MODEL 208**  
ILLUSTRATED PARTS CATALOG

A24588



**DETAIL A**



**DETAIL B**

WING STRUCTURE COMPONENTS - FUEL BAY INBOARD  
FIGURE 01 (SHEET 2)

26202001  
A26223001  
B26261001

**CESSNA®**  
**MODEL 208**  
**ILLUSTRATED PARTS CATALOG**

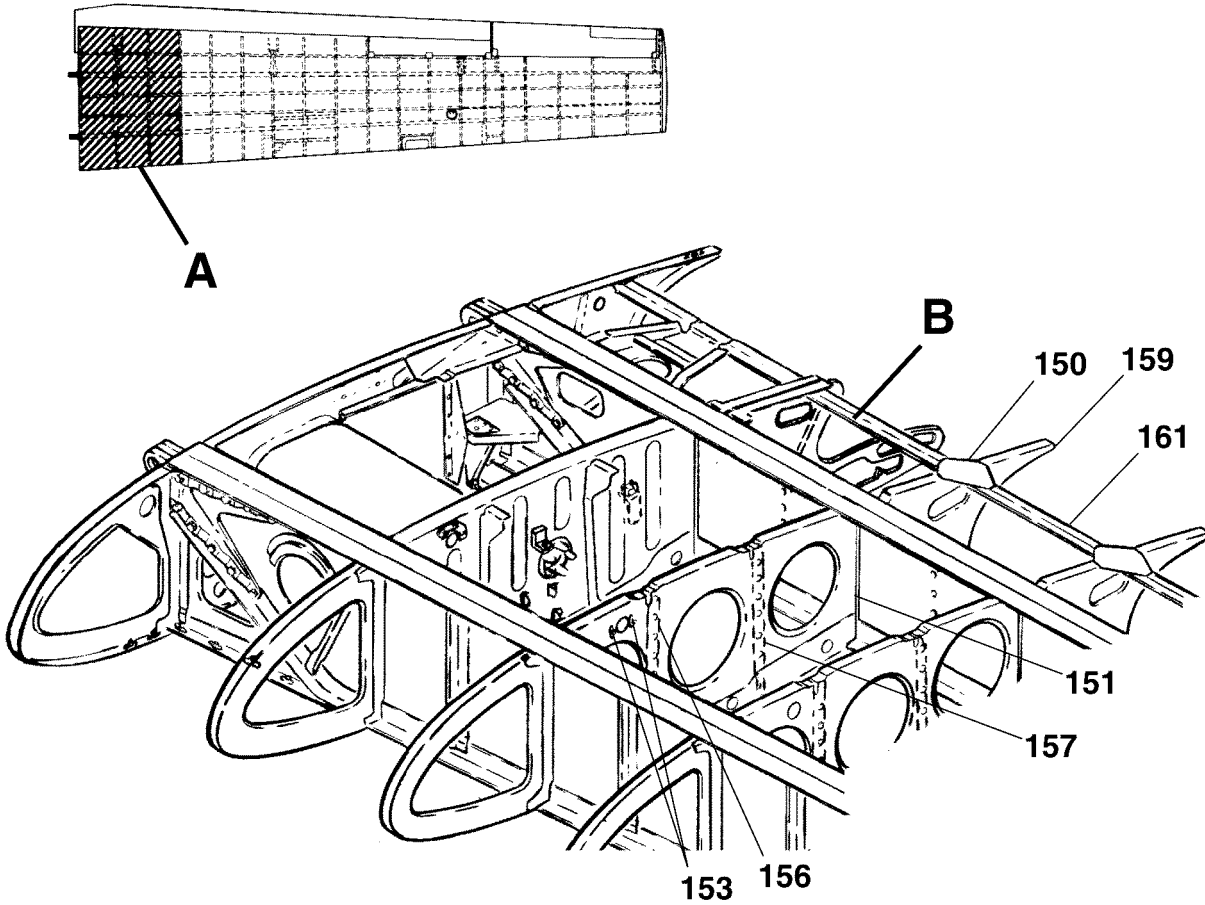
FIG ITEM	PART NUMBER	NOMENCLATURE	1 2 3 4 5 6 7						UNITS PER ASSY			
01												
75	2622191-1	. RIB ASSY-CENTER LH WS 53.00 .050 2024 T42 FSO 2622191-11 . . . . .						0001	0223	NP		
								B0001	B0326			
- 76	2622191-11	. RIB ASSY-CENTER LH WS 53.00 .050 2024 T42 . . . . .						0224	& ON	01		
								B0327	& ON			
- 77	2622191-2	. RIB ASSY-CENTER RH WS 53.00 .050 2024 T42 FSO 2622191-12 . . . . .						0001	0223	NP		
								B0001	B0326			
- 78	2622191-12	. RIB ASSY-CENTER RH WS 53.00 .050 2024 T42 . . . . .						0224	& ON	01		
								B0327	& ON			
79	1716008-1	. . NUTRING-FUEL LEVEL TRANSMITTER FSO 2626017-2 . . . . .								NP		
- 79A	2626017-2	. . NUTRING-FUEL LEVEL TRANSMITTER REFER TO NOTE 1 . . . . .								01		
80	2501094-1	. . BRACKET-LOW FUEL LEVEL SWITCH .050 2024 T42 . . . . .								01		
- 81	MS35206-227	. . SCREW-SWITCH BRACKET ATTACH . . . . .						0224	& ON	02		
								B0327	& ON			
- 82	S2031-1	. . NUTPLATE-SWITCH BRACKET ATTACH . . . . .						0224	& ON	02		
								B0327	& ON			
83	2626016-2	. . STOP-VENT VALVE .190 2024 T3 . . . . .								01		
84	2622253-3	. . BRACKET .032 2024 T42 FSO 2622286-3 . . . . .						0001	0223	NP		
								B0001	B0326			
- 85	2622286-3	. . BRACKET . . . . .						0224	& ON	04		
								B0327	& ON			
- 86	S2319-30	. . RECEPTACLE . . . . .								04		
- 87	S2319-40	. . SHIM . . . . .								04		
88	2622191-9	. . STIFFENER-FWD LH WS 53.00 .050 2024 T42 FSO 2611191-13 . . . . .						0001	0291	NP		
								B0001	B0695			
- 88A	2622191-13	. . STIFFENER-FWD LH WS 53.00 .050 2024 T42 . . . . .						0292	& ON	01		
								B0696	& ON			
- 89	2622191-10	. . STIFFENER-FWD RH WS 53.00 .050 2024 T42 FSO 2622191-14 . . . . .						0001	0291	NP		
								B0001	B0695			
- 89A	2622191-14	. . STIFFENER-FWD RH WS 53.00 .050 2024 T42 . . . . .						0292	& ON	01		
								B0696	& ON			
90	2622191-7	. . STIFFENER-AFT LH WS 53.00 .050 2024 T42 . . . . .								01		
- 91	2622191-8	. . STIFFENER-AFT RH WS 53.00 .050 2024 T42 . . . . .								01		
92	S2300-39	. . BRACKET . . . . .								01		
- 93	S1741-1	. . ANCHOR . . . . .								01		
- 94	2622063-1	. . BRACKET-AFT CTR RIB ATTACH LH .040 2024 T42 . . . . .								01		
- 95	2622063-2	. . BRACKET-AFT CTR RIB ATTACH RH .040 2024 T42 . . . . .								01		
96	2622095-2	. . RIB ASSY-FLAP TRACK .040 2024 T42 LH AND RH . . . . .						0001	0395	01		
								B0001	B1162			
- 97	2622095-4	. . DOUBLER . . . . .						0396	& ON	01		
								B1163	& ON			
- 97A	2622095-6	. . RIB . . . . .						0396	& ON	01		
								B1163	& ON			
- 97B	2622095-7	. . SPACER . . . . .						0396	& ON	02		
								B1163	& ON			
98	2622095-1	. . RIB ASSY-FLAP TRACK .040 2024 T42 LH AND RH . . . . .						0001	0395	01		
								B0001	B1162			
- 98A	2622095-3	. . DOUBLER . . . . .						0396	& ON	01		
								B1163	& ON			
- 98B	2622095-5	. . RIB . . . . .						0396	& ON	01		
								B1163	& ON			
- 98C	2622095-7	. . SPACER . . . . .						0396	& ON	02		
								B1163	& ON			
100	2622075-1	. . FLAP TRACK-INBD .375 2024 T42 FSO 2622075-4 . . . . .						0001	0395	NP		
								B0001	B1162			
- 100A	2622075-4	. . FLAP TRACK-INBD .375 2024 T42 . . . . .						0396	& ON	01		
								B1163	& ON			
- 101	AN3-7A	. . BOLT-FLAP TRACK ATTACH . . . . .								02		
- 102	NAS1149F0332P	. . WASHER-FLAP TRACK ATTACH . . . . .								04		
- 103	MS21044N3	. . NUT-FLAP TRACK ATTACH . . . . .								02		
104	1006C	. . RETAINER-NUT . . . . .							V91511	01		
105	856B	. . NUT . . . . .							V91511	01		
106		. . VALVE-FUEL DRAIN REFER TO 28-21-00 FIGURE 01 . . . . .								RF		
107	2622000-63	. . STRINGER-LH S1113-2 FSO 2622000-121 . . . . .						0001	0289	NP		
								B0001	B0692			
- 107A	2622000-121	. . STRINGER-LH . . . . .						0290	& ON	01		
								B0693	& ON			
- 108	2622000-64	. . STRINGER-RH S1113-2 FSO 2622000-122 . . . . .						0001	0289	NP		
								B0001	B0692			
- 108A	2622000-122	. . STRINGER-RH . . . . .						0290	& ON	01		
								B0693	& ON			

NOTE 1—WHEN INITIALLY REPLACING 1716008-1 NUTRING WITH 2626017-2 NUTRING, ALSO ORDER (5) NAS1351-3-12 SCREWS AND (5) NAS1351-3-14 SCREWS. REFER TO 28-41-00 FIGURE 01.

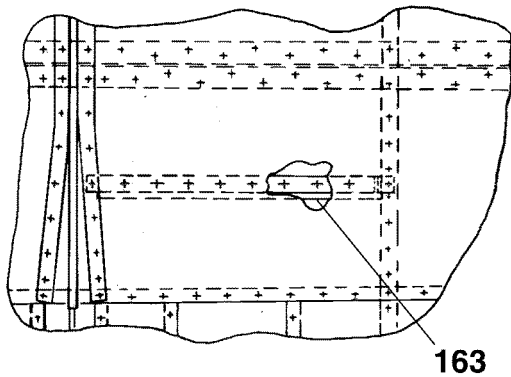
- ITEM NOT ILLUSTRATED

CESSNA®  
MODEL 208  
ILLUSTRATED PARTS CATALOG

A24589



DETAIL A



DETAIL B  
VIEW LOOKING UP  
BOTTOM OF WING

WING STRUCTURE COMPONENTS - FUEL BAY INBOARD  
FIGURE 01 (SHEET 3)

26202001  
A26223001  
B26261011



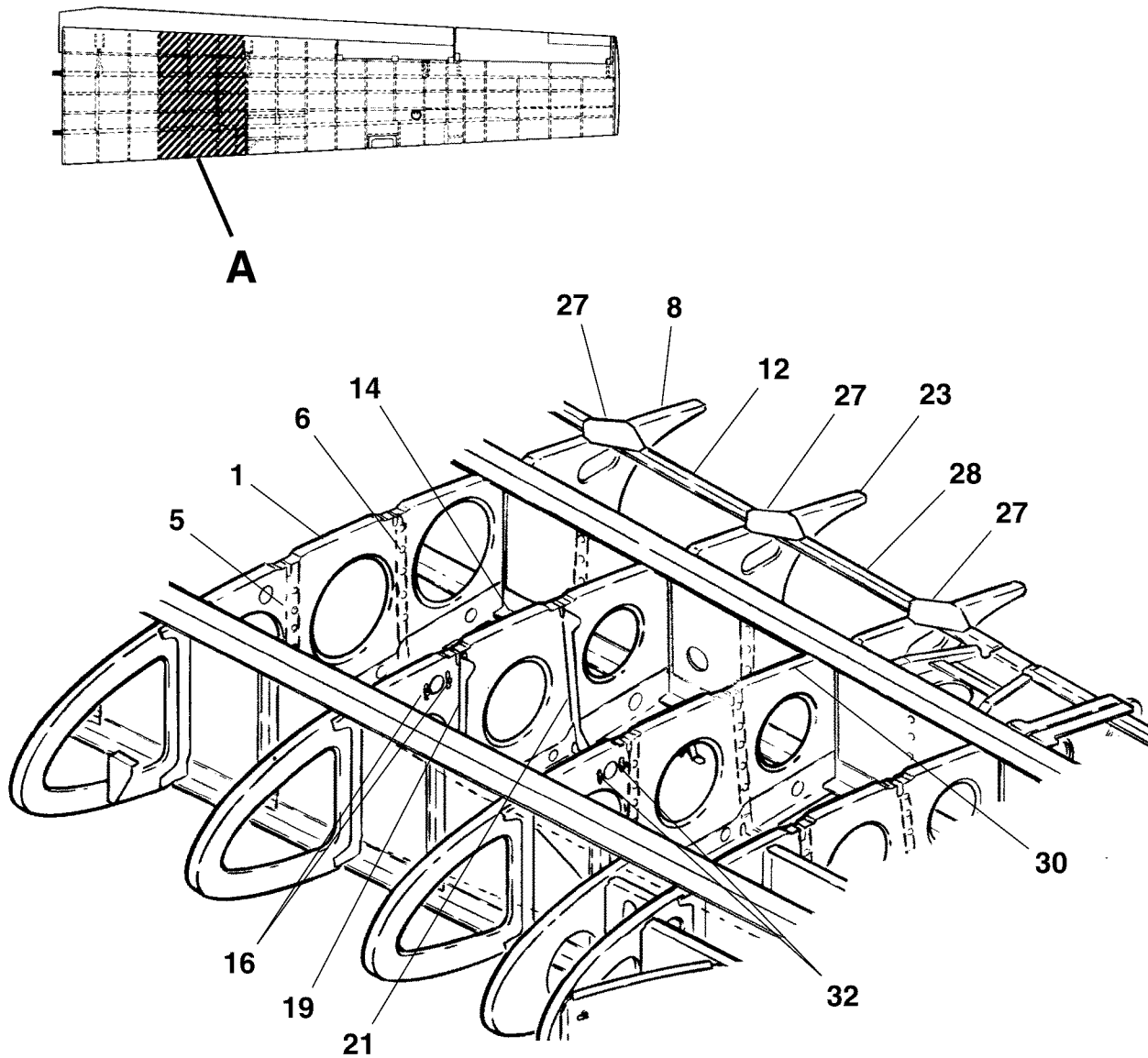
**CESSNA®**  
**MODEL 208**  
**ILLUSTRATED PARTS CATALOG**

FIG ITEM	PART NUMBER	NOMENCLATURE	UNITS PER ASSY		
			1	2	3
01					
150	2622234-1	. GUSSET .025 2024 T3			01
151	2622125-11	. RIB ASSY-CENTER LH WS 68.00 .040 2024 T42			01
- 152	2622125-10	. RIB ASSY-CENTER RH WS 68.00 .040 2024 T42			01
153	MS21047L3	. . NUTPLATE			02
- 154	2622065-1	. BRACKET-AFT CTR RIB ATTACH LH .040 2024 T42 FSO 2622060-1	0001	0553	NP R
- 154A	2622060-1	. BRACKET-AFT CTR RIB ATTACH LH .040 2024 T42	B0001	B5079	01 R
- 155	2622065-2	. BRACKET-AFT CTR RIB ATTACH RH .040 2024 T42 FSO 2622060-2	B5080	& ON	NP R
- 155A	2622060-2	. BRACKET-AFT CTR RIB ATTACH RH .040 2024 T42	0001	B0001	NP R
			B0553	B5079	
			0001	0553	01 R
			B0001	B5079	
156	2622125-9	. STIFFENER-FWD WS 68.00 .040 2024 T42			01
157	2622125-7	. STIFFENER-AFT LH WS 68.00 .040 2024 T42			01
- 158	2622125-8	. STIFFENER-AFT RH WS 68.00 .040 2024 T42			01
159	2622205-5	. RIB-TRAILING EDGE LH WS 68.00 .025 2024 T42-FSO 2622285-3			NP
- 159A	2622285-3	. RIB-TRAILING EDGE LH WS 68.00 .025 2024 T42			01
- 160	2622205-6	. RIB-TRAILING EDGE RH WS 68.00 .025 2024 T42-FSO 2622285-4			NP
- 160A	2622285-4	. RIB-TRAILING EDGE RH WS 68.00 .025 2024 T42			01
161	2622000-65	. STRINGER-LH S1113-2			01
- 162	2622000-66	. STRINGER-RH S1113-2			01
163	2622264-1	. STIFFENER-LH S49-1			01
- 164	2622264-2	. STIFFENER-RH S49-1			01

- ITEM NOT ILLUSTRATED

CESSNA®  
**MODEL 208**  
ILLUSTRATED PARTS CATALOG

A24590



**DETAIL A**

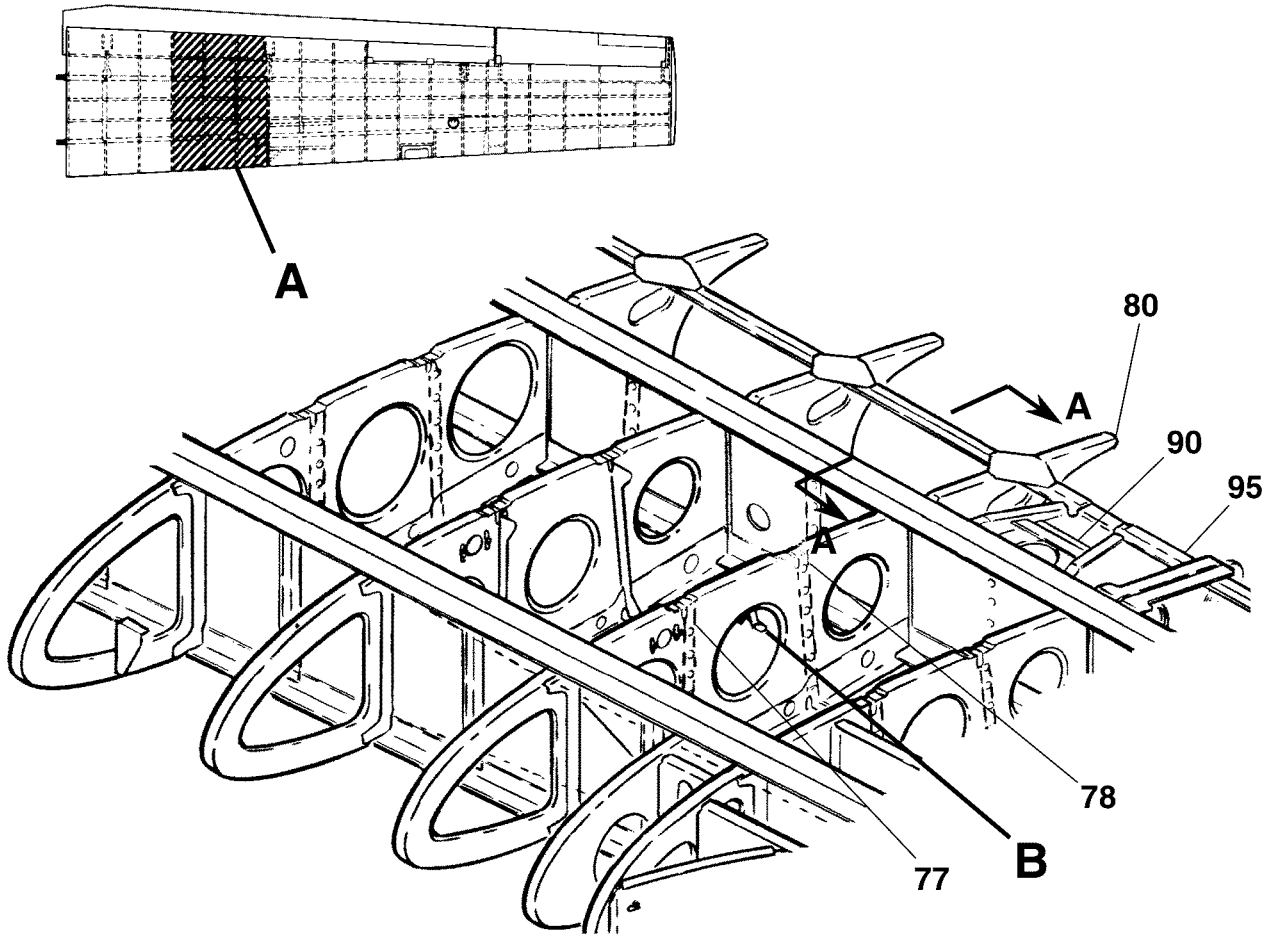
WING STRUCTURE COMPONENTS - FUEL BAY CENTER INBOARD  
FIGURE 02 (SHEET 1)

26202001  
A26223001

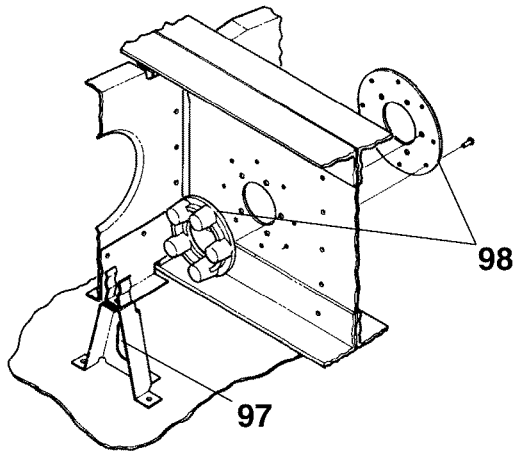


CESSNA®  
**MODEL 208**  
 ILLUSTRATED PARTS CATALOG

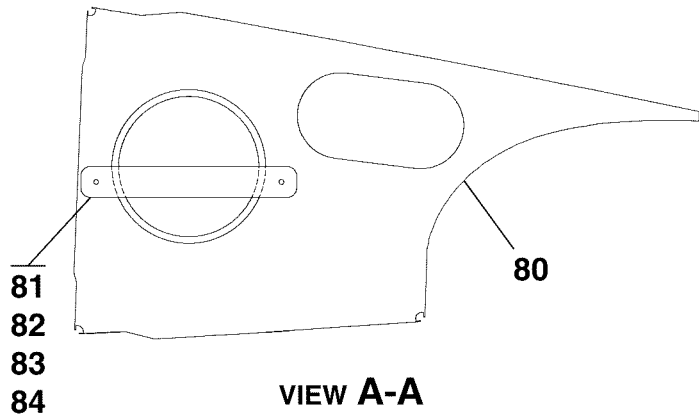
A95148



**DETAIL A**



**DETAIL B**



**VIEW A-A**  
 (VIEW LOOKING INBOARD AT W.S. 112.00)

26202001  
 A2622R3001  
 B2626R3001  
 AA2696T012-3

WING STRUCTURE COMPONENTS - FUEL BAY CENTER INBOARD  
 FIGURE 02 (SHEET 2)

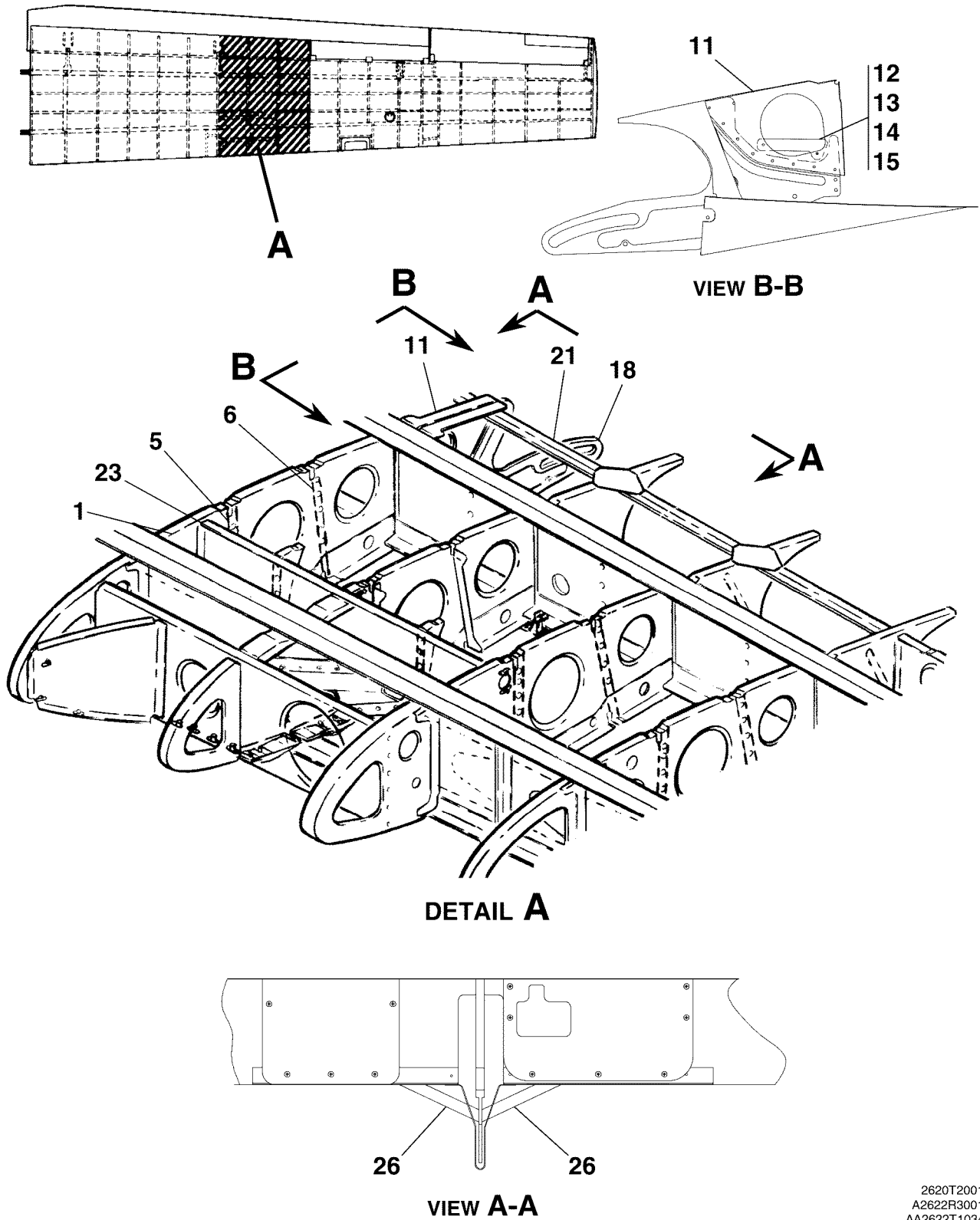
**CESSNA®**  
**MODEL 208**  
**ILLUSTRATED PARTS CATALOG**

FIG ITEM	PART NUMBER	NOMENCLATURE	UNITS PER ASSY		
			1	2	3
02					
- 75	2622069-1	. ATTACH BRACKET-AFT CTR RIB ATTACH LH .040 2024 T42 . . . . .	0001	0553	NP
			B0001	B5079	
- 75A	2622060-7	. ATTACH BRACKET-AFT CTR RIB ATTACH LH .040 2024 T42 . . . . .	0554	& ON	01
			B5080	& ON	
- 76	2622069-2	. ATTACH BRACKET-AFT CTR RIB ATTACH RH .040 2024 T42 . . . . .	0001	0553	NP
			B0001	B5079	
- 76A	2622060-8	. ATTACH BRACKET-AFT CTR RIB ATTACH RH .040 2024 T42 . . . . .	0554	& ON	01
			B5080	& ON	
77	2622118-9	. STIFFENER-FWD WS 112.00 .040 2024 T42 . . . . .			01
78	2622118-7	. STIFFENER-AFT LH WS 112.00 .040 2024 T42 . . . . .			01
- 79	2622118-8	. STIFFENER-AFT RH WS 112.00 .040 2024 T42 . . . . .			01
80	2622206-3	. RIB-TRAILING EDGE LH WS 112.00 FSO 2622282-7 .025 2024 T42 . . . . .	0001	0160	NP
			B0001	B0189	
81	2622270-1	. CABLE GUARD REFER TO NOTE 1 . . . . .			01 R
82	MS35206-214	. SCREW REFER TO NOTE 1 . . . . .			02 R
83	NAS1149FN416P	. WASHER REFER TO NOTE 1 . . . . .			02 R
84	MS21042-04	. NUT REFER TO NOTE 1 . . . . .			02 R
- 85	2622272-1	. RIB-TRAILING EDGE LH WS 112.00 .025 2024 T42 FSO 2622282-7 . . . . .	0161	0216	NP
			B0190	B0303	
- 86	2622282-7	. RIB-TRAILING EDGE LH WS 112.00 .025 2024 T42 . . . . .	0217	& ON	01
			B0304	& ON	
- 87	2622206-4	. RIB-TRAILING EDGE RH WS 112.00 .025 2024 T42 FSO 2622282-8 . . . . .	0001	0160	NP
			B0001	B0189	
- 88	2622272-2	. RIB-TRAILING EDGE RH WS 112.00 .025 2024 T42 FSO 2622282-8 . . . . .	0161	0216	NP
			B0190	B0303	
- 89	2622282-8	. RIB-TRAILING EDGE RH WS 112.00 .025 2024 T42 . . . . .	0217	& ON	01
			B0304	& ON	
90	2622101-1	. ATTACH BRACKET ASSY-FLAP BELLCRANK UPR OUTBD LH .032 2024 . . . . .			01
- 91	2622101-2	. ATTACH BRACKET ASSY-FLAP BELLCRANK UPR OUTBD RH .032 2024 . . . . .			01
- 92	2622100-1	. ATTACH BRACKET ASSY-FLAP BELLCRANK LWR OUTBD LH .040 2024 . . . . .			01
- 93	2622100-2	. ATTACH BRACKET ASSY-FLAP BELLCRANK LWR OUTBD RH .040 2024 . . . . .			01
- 94	MS21047L4	. . . . . NUTPLATE LWR BRACKETS ONLY . . . . .			01
95	2622000-74	. STRINGER-LH S1113-2 . . . . .			01
- 96	2622000-75	. STRINGER-RH S1113-2 . . . . .			01
97	2622252-1	. BRACKET ASSY-FUEL TRANSMITTER INBD .032 2024 T42 . . . . .	0001	0552	01
			B0001	B5075	
98		. WING SPAR ASSY REFER TO 57-10-03 FIGURE 01 . . . . .			RF
NOTE 1—AIRPLANES -0001 THRU -0160 AND -B0001 THRU -B0189 INCOPORATING CAB-27-02.					

- ITEM NOT ILLUSTRATED

CESSNA®  
**MODEL 208**  
 ILLUSTRATED PARTS CATALOG

A24591



WING STRUCTURE COMPONENTS - FUEL BAY CENTER OUTBOARD  
 FIGURE 03 (SHEET 1)

2620T2001  
 A2622R3001  
 AA2622T1034

**CESSNA®**  
**MODEL 208**  
**ILLUSTRATED PARTS CATALOG**

FIG ITEM	PART NUMBER	NOMENCLATURE	UNITS PER ASSY		
			1	2	3
03					
-		WING STRUCTURE COMPONENTS - FUEL BAY CENTER OUTBOARD			RF
1	2622104-11	. RIB ASSY-CENTER LH WS 126.50 .040 2024 T42 . . . . .	0001	0667	01 R
- 1A	2622104-17	. RIB ASSY-CENTER LH WS 126.50 .040 2024 T42 . . . . .	B0001	B5616	
			0668	& ON	01 R
- 2	2622104-10	. RIB ASSY-CENTER RH WS 126.50 .040 2024 T42 . . . . .	B5617	& ON	
			0001	0667	01 R
- 2A	2622104-18	. RIB ASSY-CENTER RH WS 126.50 .040 2024 T42 . . . . .	B0001	B5616	
			0668	& ON	01 R
			B5617	& ON	
- 3	2622071-1	. ATTACH BRACKET-AFT CTR RIB ATTACH LH .032 2024 T42 . . . . .			01
- 4	2622071-2	. ATTACH BRACKET-AFT CTR RIB ATTACH RH .032 2024 T42 . . . . .			01
5	2622104-9	. STIFFENER-FWD WS 126.50 .040 2024 T42 . . . . .			01
6	2622104-7	. STIFFENER-AFT LH WS 126.50 .040 2024 T42 . . . . .			01
- 7	2622104-8	. STIFFENER-AFT RH WS 126.50 .040 2024 T42 . . . . .			01
- 8	2622098-2	. RIB ASSY-FLAP TRACK LH AND RH WS 126.50 .050 2024 T42 FSO	0001	0160	NP
		2622277-2 . . . . .	B0001	B0189	
- 9	2622271-2	. RIB ASSY-FLAP TRACK LH AND RH WS 126.50 .050 2024 T42 FSO	0161	0197	NP
		2622277-2 . . . . .	B0190	B0235	
- 10	2622277-2	. RIB ASSY-FLAP TRACK LH AND RH WS 126.50 .050 2024 T42 . . . . .	0198	& ON	02
			B0236	& ON	
11	2622098-1	. RIB ASSY-FLAP TRACK LH AND RH WS 126.50 .050 2024 T42 FSO	0001	0160	NP
		2622277-1 . . . . .	B0001	B0189	
12	2622278-3	. CABLE GUARD-LH AND RH REFER TO NOTE 3 . . . . .			01
13	MS35206-245	. SCREW REFER TO NOTE 3 . . . . .			02
14	NAS1149F0363P	. WASHER REFER TO NOTE 3 . . . . .			02
15	MS21042-08	. NUT EQU TO NAS1291X08 REFER TO NOTE 3 . . . . .			02
- 16	2622271-1	. RIB ASSY-FLAP TRACK LH AND RH WS 126.50 .050 2024 T42FSO	0161	0197	NP
		2622277-1 . . . . .	B0190	B0235	
- 17	2622277-1	. RIB ASSY-FLAP TRACK LH AND RH WS 126.50 .050 2024 T42 . . . . .	0198	0395	02
			B0236	B1162	
- 17A	2622277-5	. RIB . . . . .	0396	& ON	01
			B1163	& ON	
- 17B	2622277-6	. RIB . . . . .	0396	& ON	01
			B1163	& ON	
- 17C	2622278-1	. CABLE GUARD . . . . .	0396	& ON	01
			B1163	& ON	
- 17D	2622278-2	. CABLE GUARD . . . . .	0396	& ON	01
			B1163	& ON	
18	2622075-2	. FLAP TRACK-CENTER .375 2024 T351 FSO 2622075-5 REFER TO NOTE	0001	0164	NP
		1 . . . . .	B0001	B0194	
- 19	2622275-1	. FLAP TRACK-CENTER .375 2024 T351 FSO 2622075-5 REFER TO NOTE	0165	0395	NP
		2 . . . . .	B0195	B1162	
- 20	2622075-5	. FLAP TRACK-CENTER .375 2024 T351 REFER TO NOTE 2 . . . . .	0396	& ON	01
			B1163	& ON	
- 20A	2622313-1	. FLAP TRACK-CENTER .375 2024 T351 SPARES ONLY . . . . .	B0151	B0151	01
21	2622000-76	. STRINGER-LH S1113-2 . . . . .			01
22	2622000-77	. STRINGER-RH S1113-2 . . . . .			01
23	2622216-3	. INTERCOSTAL-LH AFT .040 2024 T42 . . . . .			01
24	2622216-4	. INTERCOSTAL-RH AFT .040 2024 T42 . . . . .			01
25	NAS681A08	. NUTPLATE . . . . .			04
26	2622273-1	. FLAP TRACK BRACE REFER TO NOTE 2 . . . . .	0165	& ON	04
			B0195	& ON	

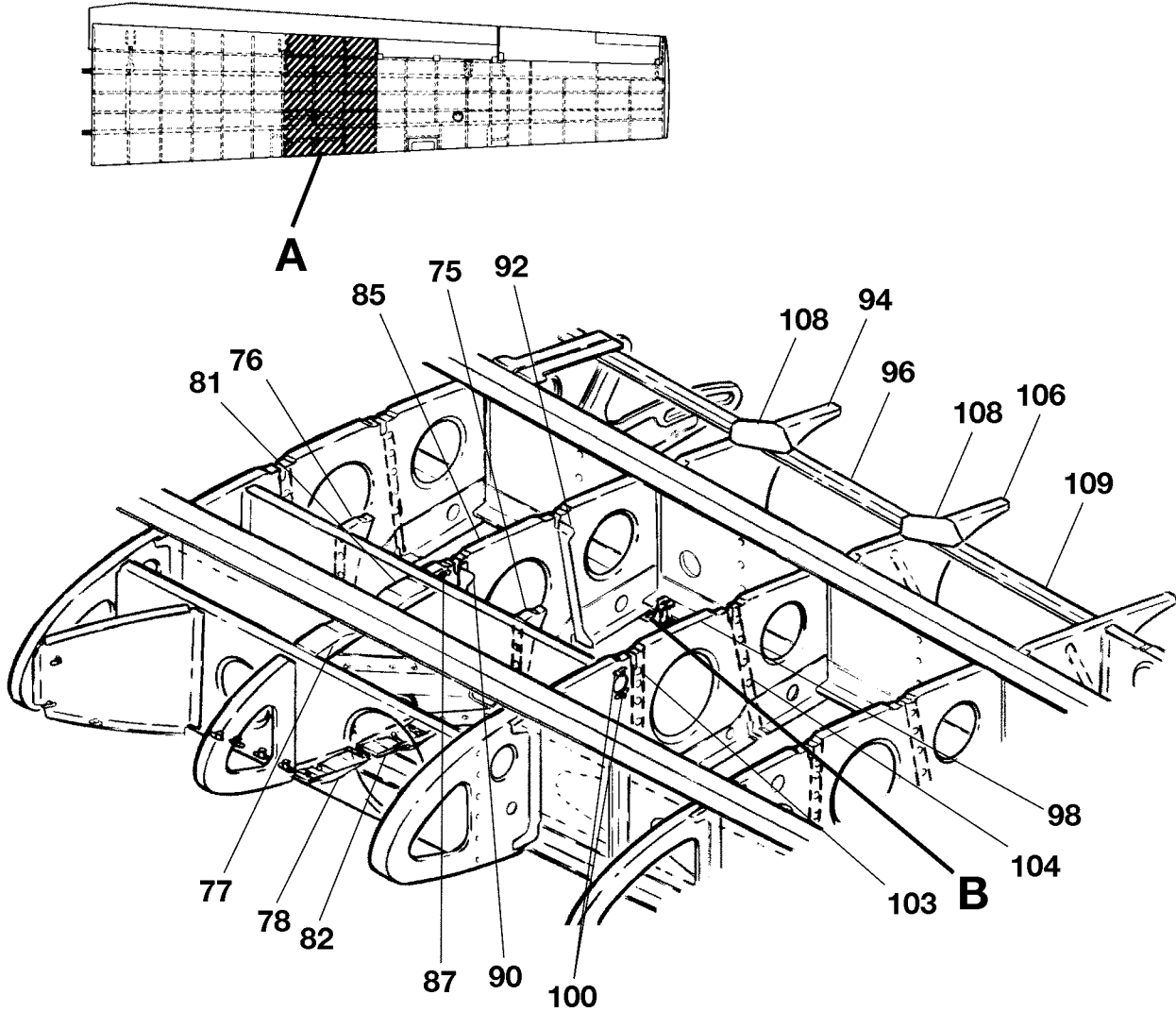
NOTE 1—AIRPLANES -0001 THRU -0164 AND -B0001 THRU -B0194 NOT INCORPORATING SK208-71.

NOTE 2—AIRPLANES -0165 & ON AND -B0195 & ON, AND AIRPLANES -0001 THRU -0164 AND -B0001 THRU -B0194 INCORPORATING SK208-71.

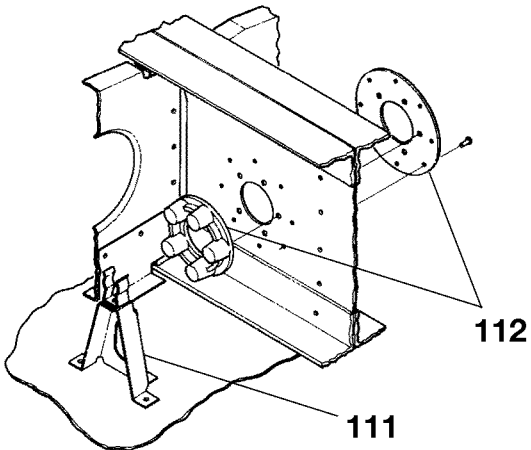
NOTE 3—AIRPLANES -0001 THRU -0160 AND -B0001 THRU -B0189 INCOPORATING CAB-27-02.

CESSNA®  
**MODEL 208**  
 ILLUSTRATED PARTS CATALOG

A24592



**DETAIL A**



**DETAIL B**

WING STRUCTURE COMPONENTS - FUEL BAY CENTER OUTBOARD  
 FIGURE 03 (SHEET 2)

2620R2001  
 A2622R3001  
 B2626R3001



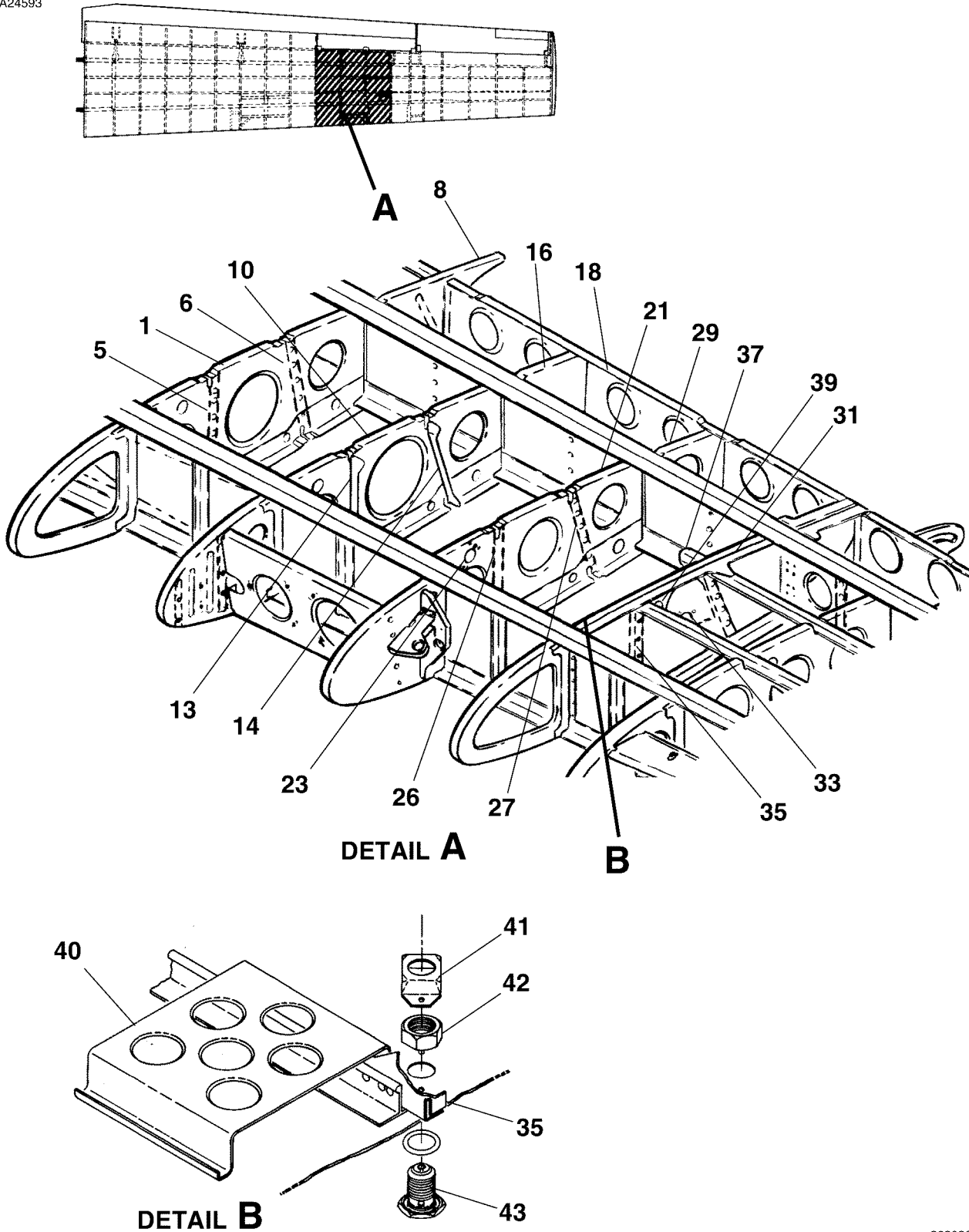
**CESSNA®**  
**MODEL 208**  
**ILLUSTRATED PARTS CATALOG**

FIG ITEM	PART NUMBER	NOMENCLATURE	UNITS PER ASSY		
			1	2	3
03					
75	2622241-5	. STIFFENER WS 148.55 .040 2024 T42 . . . . .			02
76	2622241-6	. STIFFENER WS 133.80 .040 2024 T42 . . . . .			02
77	2622233-6	. STIFFENER-UPR FWD .032 2024 T42 . . . . .			01
78	2622233-4	. STIFFENER ASSY-LWR FWD LH .032 2024 T42 . . . . .			01
- 79	2622233-12	. STIFFENER ASSY-LWR FWD RH .032 2024 T42 . . . . .			01
- 80	MS21053L08K	. . NUTPLATE . . . . .			02
81	2622233-3	. STIFFENER-UPR AFT .032 2024 T42 . . . . .			01
82	2622233-1	. STIFFENER ASSY-LWR AFT LH .032 2024 T42 . . . . .			01
- 83	2622233-14	. STIFFENER ASSY-LWR AFT RH .032 2024 T42 . . . . .			01
- 84	MS21053L08K	. . NUTPLATE . . . . .			02
85	2622117-11	. RIB ASSY-CENTER LH WS 141.20 .040 2024 T42 . . . . .			01
- 86	2622117-12	. RIB ASSY-CENTER RH WS 141.20 .040 2024 T42 . . . . .			01
87	MS21047L3	. . NUTPLATE . . . . .			02
- 88	2622108-1	. ATTACH BRACKET-AFT CTR RIB ATTACH LH .040 2024 T42 . . . . .	0001	0553	NP
			B0001	B5079	
- 88A	2622060-9	. ATTACH BRACKET-AFT CTR RIB ATTACH LH .040 2024 T42 . . . . .	0554	& ON	01
			B5080	& ON	
- 89	2622108-2	. ATTACH BRACKET-AFT CTR RIB ATTACH RH .040 2024 T42 . . . . .	0001	0553	NP
			B0001	B5079	
- 89A	2622060-10	. ATTACH BRACKET-AFT CTR RIB ATTACH RH .040 2024 T42 . . . . .	0554	& ON	01
			B5080	& ON	
90	2622117-9	. STIFFENER-FWD LH WS 141.20 .040 2024 T42 . . . . .			01
- 91	2622117-10	. STIFFENER-FWD RH WS 141.20 .040 2024 T42 . . . . .			01
92	2622117-7	. STIFFENER-AFT LH WS 141.20 .040 2024 T42 . . . . .			01
- 93	2622117-8	. STIFFENER-AFT RH WS 141.20 .040 2024 T42 . . . . .			01
94	2622206-5	. RIB-TRAILING EDGE LH WS 141.20 .025 2024 T42 . . . . .			01
- 95	2622206-6	. RIB-TRAILING EDGE RH WS 141.20 .025 2024 T42 . . . . .			01
96	2622000-78	. STRINGER-LH S1113-2 . . . . .			01
- 97	2622000-79	. STRINGER-RH S1113-2 . . . . .			01
98	2622114-11	. RIB ASSY-CENTER LH WS 155.90 .040 2024 T42 . . . . .			01
- 99	2622114-10	. RIB ASSY-CENTER RH WS 155.90 .040 2024 T42 . . . . .			01
100	MS21047L3	. . NUTPLATE . . . . .			02
- 101	2622121-1	. ATTACH BRACKET-AFT CTR RIB ATTACH LH .040 2024 T42 . . . . .	0001	0553	NP
			B0001	B5079	
- 101A	2622060-11	. ATTACH BRACKET-AFT CTR RIB ATTACH LH .040 2024 T42 . . . . .	0554	& ON	01
			B5080	& ON	
- 102	2622121-2	. ATTACH BRACKET-AFT CTR RIB ATTACH RH .040 2024 T42 . . . . .	0001	0553	NP
			B0001	B5079	
- 102A	2622060-12	. ATTACH BRACKET-AFT CTR RIB ATTACH RH .040 2024 T42 . . . . .	0554	& ON	01
			B5080	& ON	
103	2622114-9	. STIFFENER-FWD WS 155.90 .040 2024 T42 . . . . .			01
104	2622114-7	. STIFFENER-AFT LH WS 155.90 .040 2024 T42 . . . . .			01
- 105	2622114-8	. STIFFENER-AFT RH WS 155.90 .040 2024 T42 . . . . .			01
106	2622204-1	. RIB-TRAILING EDGE LH WS 155.90 .025 2024 T42 . . . . .			01
- 107	2622204-2	. RIB-TRAILING EDGE RH WS 155.90 .025 2024 T42 . . . . .			01
108	2622234-1	. GUSSET .025 2024 T42 . . . . .			02
109	2622000-80	. STRINGER-LH S1113-2 . . . . .			01
- 110	2622000-81	. STRINGER-RH S1113-2 . . . . .			01
111	2622252-3	. BRACKET ASSY-FUEL TRANSMITTER OUTBD .032 2024 T42 . . . . .	0001	0552	01
			B0001	B5075	
112		. WING SPAR ASSY REFER TO 57-10-03 FIGURE 01 . . . . .			RF

- ITEM NOT ILLUSTRATED

CESSNA®  
**MODEL 208**  
ILLUSTRATED PARTS CATALOG

A24593



WING STRUCTURE COMPONENTS - FUEL BAY OUTBOARD  
FIGURE 04 (SHEET 1)

26202001

**CESSNA®**  
**MODEL 208**  
**ILLUSTRATED PARTS CATALOG**

FIG ITEM	PART NUMBER	NOMENCLATURE	UNITS	
			PER	ASSY
04		WING STRUCTURE COMPONENTS - FUEL BAY OUTBOARD		RF
-				
1	2622103-11	. RIB ASSY-CENTER LH WS 170.60 .040 2024 T42 . . . . .		01
- 2	2622103-10	. RIB ASSY-CENTER RH WS 170.60 .040 2024 T42 . . . . .		01
- 3	2622099-1	. BRACKET-AFT CTR RIB ATTACH LH .040 2024 T42 . . . . .	0001 0553	NP R
- 3A	2622060-13	. BRACKET-AFT CTR RIB ATTACH LH .040 2024 T42 . . . . .	B0001 B5079 0554 & ON	01 R
- 4	2622099-2	. BRACKET-AFT CTR RIB ATTACH RH .040 2024 T42 . . . . .	0001 0553	NP R
- 4A	2622060-14	. BRACKET-AFT CTR RIB ATTACH RH .040 2024 T42 . . . . .	B0001 B5079 0554 & ON	01 R
5	2622103-9	. STIFFENER-FWD WS 170.60 .040 2024 T42 . . . . .		01
6	2622103-7	. STIFFENER-AFT LH WS 170.60 .040 2024 T42 . . . . .		01
- 7	2622103-8	. STIFFENER-AFT RH WS 170.60 .040 2024 T42 . . . . .		01
8	2622204-3	. RIB-TRAILING EDGE LH WS 170.60 .025 2024 T42 . . . . .		01
- 9	2622204-4	. RIB-TRAILING EDGE RH WS 170.60 .025 2024 T42 . . . . .		01
10	2622106-11	. RIB ASSY-CENTER LH WS 185.30 .032 2024 T42 . . . . .		01
- 11	2622106-12	. RIB ASSY-CENTER RH WS 185.30 .032 2024 T42 . . . . .		01
- 12	2622135-1	. BRACKET-AFT CTR RIB ATTACH .032 2024 T42 . . . . .	0001 0553	NP R
- 12A	2622060-15	. BRACKET-AFT CTR RIB ATTACH .032 2024 T42 . . . . .	B0001 B5079 0554 & ON	01 R
13	2622106-9	. STIFFENER-FWD LH WS 185.30 .032 2024 T42 . . . . .		01
- 13A	2622106-10	. STIFFENER-FWD RH WS 185.30 .032 2024 T42 . . . . .		01
14	2622106-5	. STIFFENER-AFT LH WS 185.30 .032 2024 T42 . . . . .		01
- 15	2622106-6	. STIFFENER-AFT RH WS 185.30 .032 2024 T42 . . . . .		01
16	2622162-1	. RIB-TRAILING EDGE LH WS 185.30 .025 2024 T42 . . . . .		01
- 17	2622162-2	. RIB-TRAILING EDGE RH WS 185.30 .025 2024 T42 . . . . .		01
18	2622179-5	. INTERCOSTAL ASSY-INBD LH .020 2024 T42 . . . . .		01
- 19	2622179-6	. INTERCOSTAL ASSY-INBD RH .020 2024 T42 . . . . .		01
- 20	MS21047L3	. NUTPLATE ATTACH SPOILER HINGE PIN . . . . .		02
21	2622115-11	. RIB ASSY-CENTER LH WS 199.80 .032 2024 T42 . . . . .		01
- 22	2622115-10	. RIB ASSY-CENTER RH WS 199.80 .032 2024 T42 . . . . .		01
23	MS21047L3	. NUTPLATE . . . . .		02
- 24	2622084-1	. BRACKET-AFT CTR RIB ATTACH LH .032 2024 T42 . . . . .	0001 0553	NP R
- 24A	2622060-17	. BRACKET-AFT CTR RIB ATTACH LH .032 2024 T42 . . . . .	B0001 B5079 0554 & ON	01 R
- 25	2622084-2	. BRACKET-AFT CTR RIB ATTACH RH .032 2024 T42 . . . . .	0001 0553	NP R
- 25A	2622060-18	. BRACKET-AFT CTR RIB ATTACH RH .032 2024 T42 . . . . .	B0001 B5079 0554 & ON	01 R
26	2622115-9	. STIFFENER-FWD WS 199.80 .032 2024 T42 . . . . .		01
27	2622115-7	. STIFFENER-AFT LH WS 199.80 .032 2024 T42 . . . . .		01
- 28	2622115-8	. STIFFENER-AFT RH WS 199.80 .032 2024 T42 . . . . .		01
29	2622132-1	. RIB-TRAILING EDGE LH WS 199.80 .025 2024 T42 . . . . .		01
- 30	2622132-2	. RIB-TRAILING EDGE RH WS 199.80 .025 2024 T42 . . . . .		01
31	2622194-1	. RIB ASSY-CENTER LH WS 214.30 .032 2024 T42 . . . . .		01
- 32	2622194-2	. RIB ASSY-CENTER RH WS 214.30 .032 2024 T42 . . . . .		01
33	1716008-1	. NUTRING FSO 2626017-2 . . . . .		NP
- 33A	2626017-2	. NUTRING-FUEL LEVEL TRANSMITTER REFER TO NOTE 2 . . . . .		01
- 34	2622134-1	. BRACKET-AFT CTR RIB ATTACH .032 2024 T42 . . . . .		01
35	2622194-9	. STIFFENER-FWD LH WS 214.30 .032 2024 T42 . . . . .		01
- 36	2622194-10	. STIFFENER-FWD RH WS 214.30 .032 2024 T42 . . . . .		01
37	2622194-11	. STIFFENER-AFT LH WS 214.30 .032 2024 T42 . . . . .		01
- 38	2622194-12	. STIFFENER-AFT RH WS 214.30 .032 2024 T42 . . . . .		01
39	2626016-1	. STOP-VENT VALVE .125 2024 T3 . . . . .		01
40	2626015-1	. BAFFLE-FUEL TANK .040 2024 T42 . . . . .		01
41	1006C	. RETAINER-NUT REFER TO NOTE 1 . . . . .	V91511 0109	& ON 01
42	856B	. NUT REFER TO NOTE 1 . . . . .	V91511 0109	& ON 01
43		. VALVE-FUEL DRAIN REFER TO NOTE 1 REFER TO 28-21-00 FIGURE 01 . . . . .	B0001 & ON	01
- 44		. VALVE-FUEL DRAIN REFER TO NOTE 1 REFER TO 28-21-00 FIGURE 02 . . . . .	0109 & ON	RF
			B0001 & ON	RF

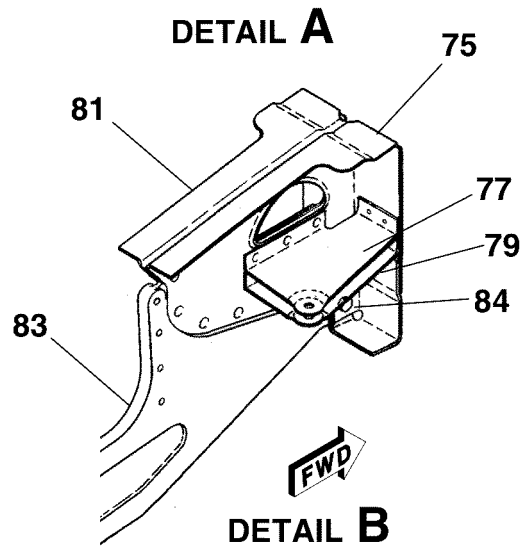
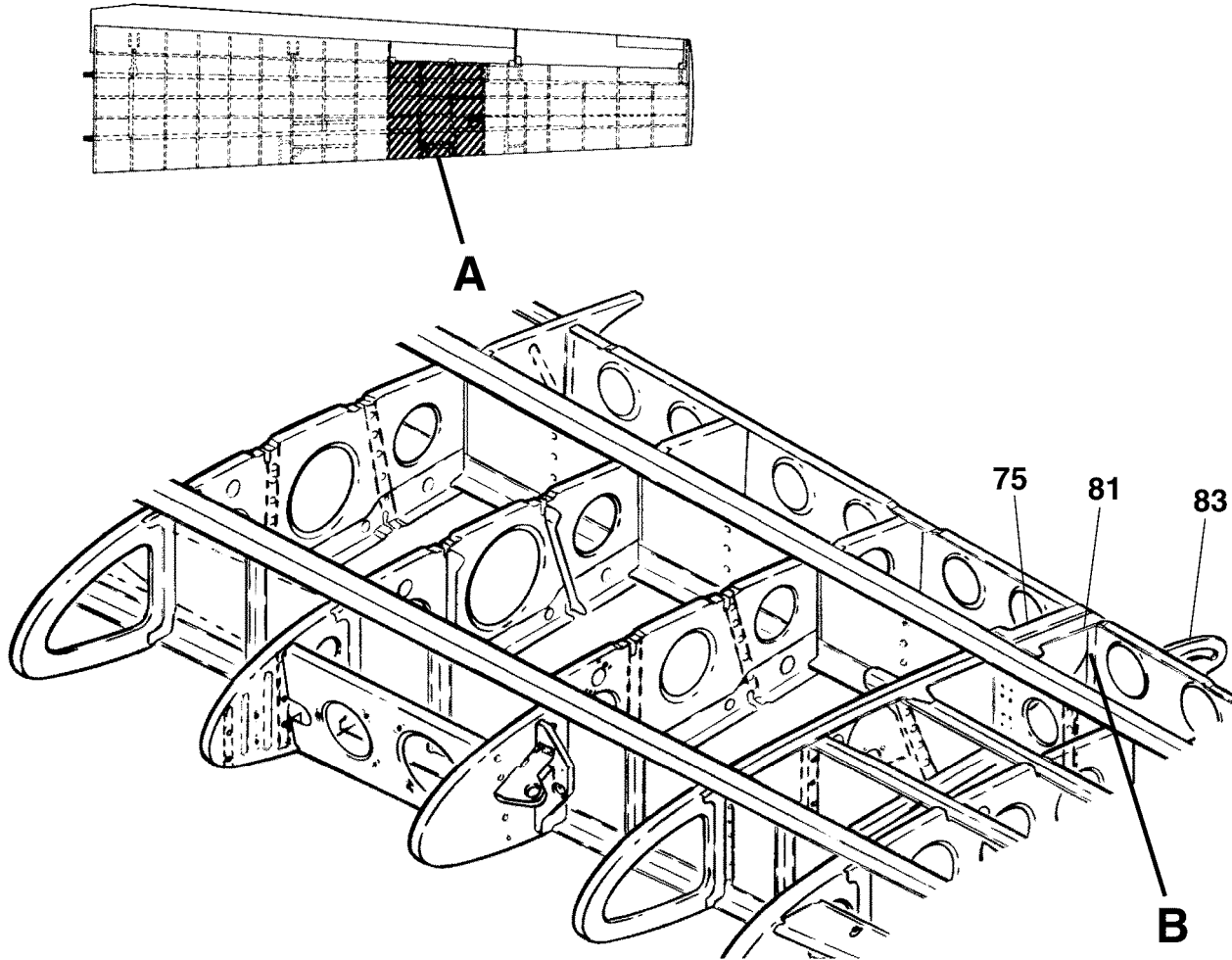
NOTE 1—AIRPLANES -0109 & ON AND -B0001 & ON, AND AIRPLANES -0001 THRU -0108 INCORPORATING SK208-36.

NOTE 2—WHEN INITIALLY REPLACING 1716008-1 NUTRING WITH 2626017-2 NUTRING, ALSO ORDER (5) NAS1351-3-12 SCREWS AND (5) NAS1351-3-14 SCREWS. REFER TO 28-41-00 FIGURE 01.

- ITEM NOT ILLUSTRATED

CESSNA®  
MODEL 208  
ILLUSTRATED PARTS CATALOG

A24605



WING STRUCTURE COMPONENTS - FUEL BAY OUTBOARD  
FIGURE 04 (SHEET 2)

26202001  
A26223001  
B26261001

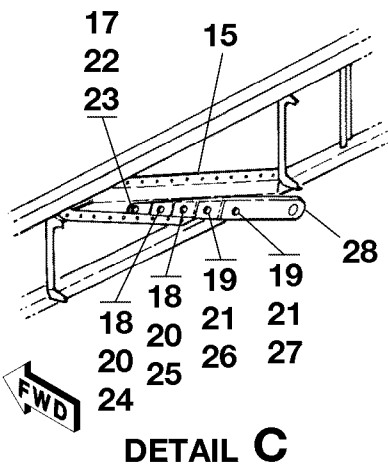
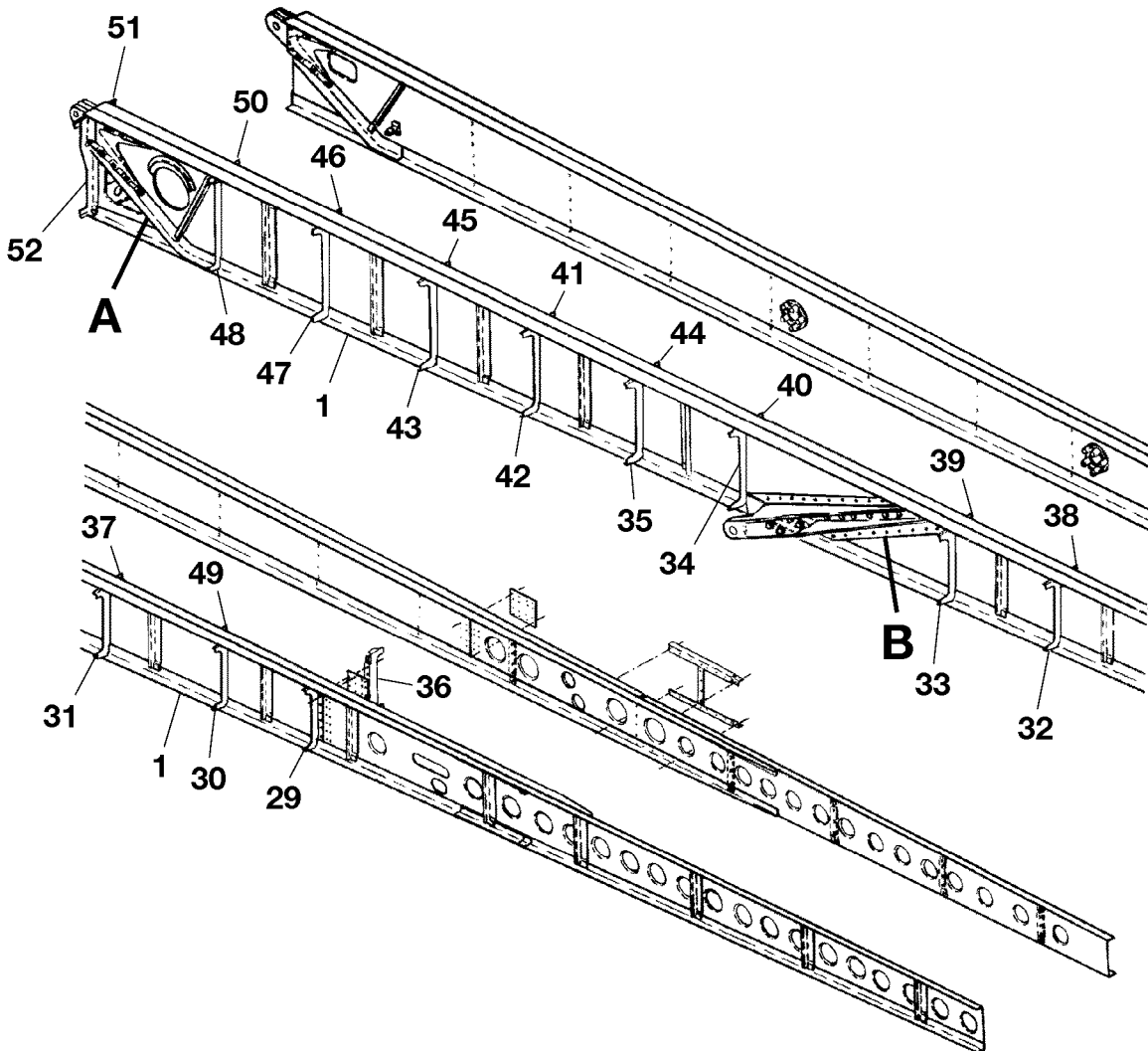
CESSNA®  
**MODEL 208**  
 ILLUSTRATED PARTS CATALOG

FIG ITEM	PART NUMBER	NOMENCLATURE	UNITS PER ASSY		
			1	2	3
04					
75	2622178-2	. RIB ASSY-FLAP TRACK INBD WS 214.30 .040 2024 T42 LH AND RH . . . . .	0001	0395	01
			B0001	B1162	
- 76	2622096-2	. . DOUBLER . . . . .	0396	& ON	01
			B1162	& ON	
- 76A	2622177-1	. . BRACKET . . . . .	0396	& ON	01
			B1163	& ON	
- 76B	2622177-3	. . BRACKET . . . . .	0396	& ON	01
			B1163	& ON	
- 76C	2622178-6	. . RIB . . . . .	0396	& ON	01
			B1163	& ON	
- 76D	2622098-7	. . SPACER . . . . .	0396	& ON	02
			B1163	& ON	
77	2622177-1	. . BRACKET-FLAP PULLEY UPR LH .040 2024 T42 . . . . .			01
- 78	2622177-2	. . BRACKET-FLAP PULLEY UPR RH .040 2024 T42 . . . . .			01
79	2622177-3	. . BRACKET-FLAP PULLEY LWR LH .040 2024 T42 . . . . .			01
- 80	2622177-4	. . BRACKET-FLAP PULLEY LWR RH .040 2024 T42 . . . . .			01
81	2622178-1	. RIB ASSY-LH AND RH FLAP TRACK OUTBD WS 214.30 .040 2024 T42 . . . . .	0001	0395	01
			B0001	B1162	
- 81A	2622096-1	. . DOUBLER . . . . .	0396	& ON	01
			B1163	& ON	
- 81B	2622098-5	. . DOUBLER . . . . .	0396	& ON	01
			B1163	& ON	
- 81C	2622098-7	. . SPACER . . . . .	0396	& ON	02
			B1163	& ON	
- 82	2622075-3	. FLAP TRACK-OUTBOARD .375 2024 T3 FSO 2622075-6 . . . . .	0001	0395	NP R
			B0001	B1162	
83	2622075-6	. FLAP TRACK-OUTBOARD .375 2024 T3 . . . . .	0396	& ON	01 R
			B1163	& ON	
		ATTACHING PARTS			
84	AN3-7A	. BOLT . . . . .			01
- 85	NAS1149F0332P	. WASHER . . . . .			01
- 86	MS21044N3	. NUT . . . . .			01
		—*—			

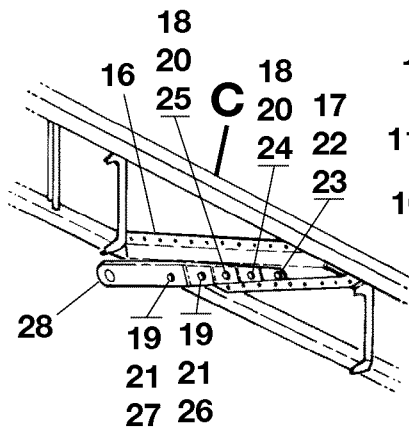
- ITEM NOT ILLUSTRATED

CESSNA®  
**MODEL 208**  
 ILLUSTRATED PARTS CATALOG

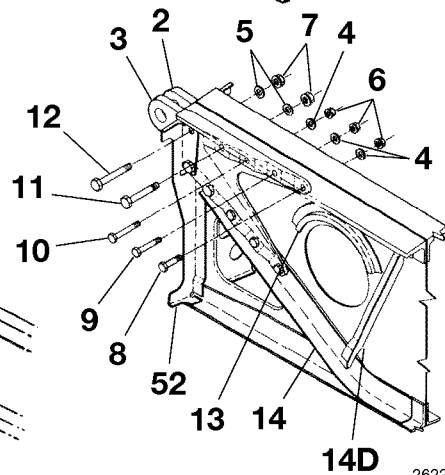
A24609



**DETAIL C**



**DETAIL B**



**DETAIL A**

2622R3003  
 A2622R2004  
 B2622R1014  
 C2622R2004

FRONT WING SPAR ASSEMBLIES - 208  
 FIGURE 01 (SHEET 1)

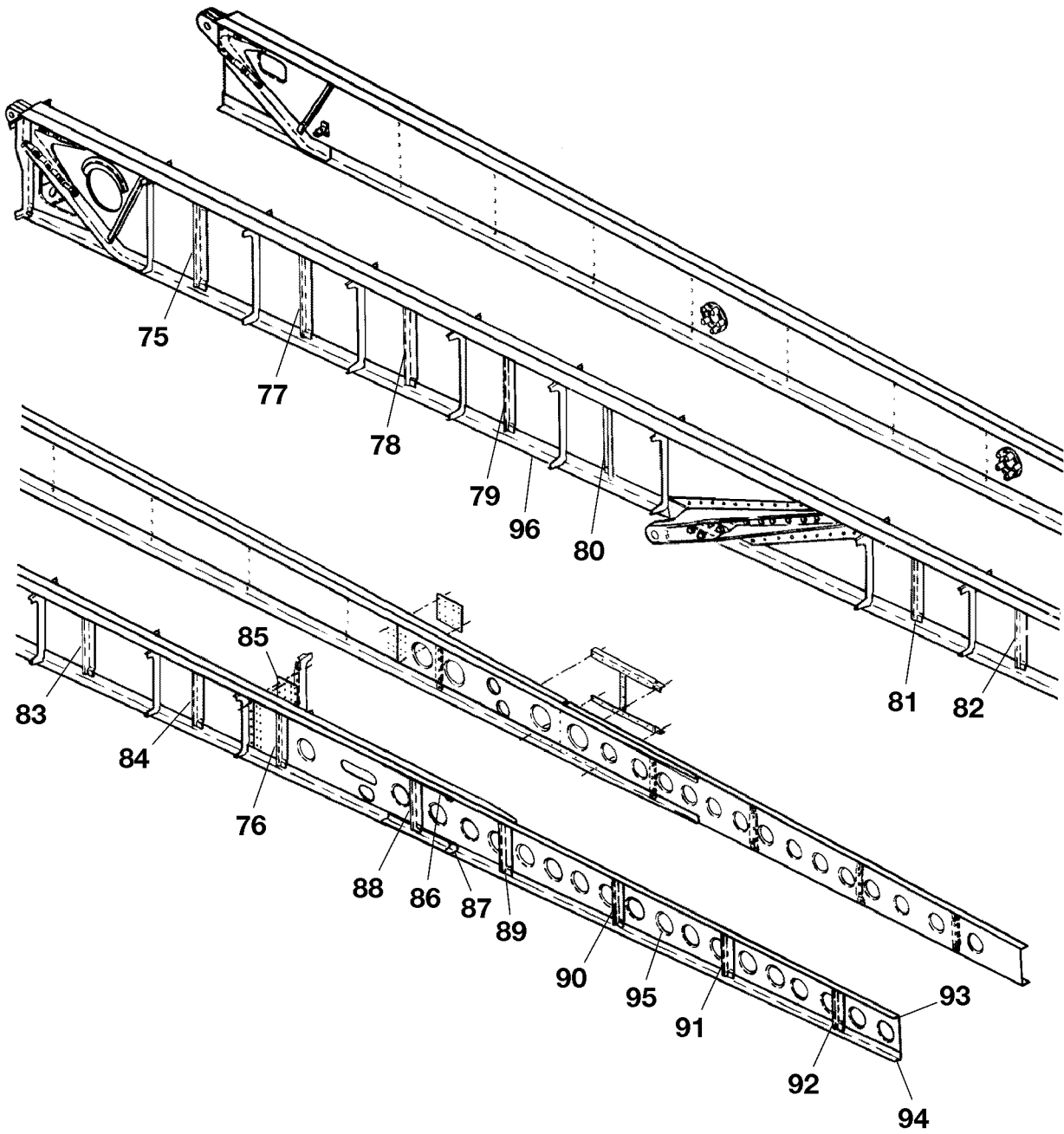
**CESSNA®**  
**MODEL 208**  
**ILLUSTRATED PARTS CATALOG**

FIG ITEM	PART NUMBER	NOMENCLATURE	UNITS PER ASSY		
	1 2 3 4 5 6 7				
01		FRONT WING SPAR ASSEMBLIES - 208	0001	0010	RF
-			0012	0012	
1	2622195-1	. SPAR ASSY - LH FSO 2622347-1 . . . . .			NP R
- 1A	2622195-2	. SPAR ASSY - RH FSO 2622347-2 . . . . .			NP R
2	2622017-1	. FITTING AFT - LH . . . . .			01
- 2A	2622017-2	. FITTING AFT - RH . . . . .			01
3	2622017-3	. FITTING FWD - LH . . . . .			01
- 3A	2622017-4	. FITTING FWD - RH . . . . .			01
4	NAS1149F0563P	. WASHER . . . . .			06
5	NAS1149F0663P	. WASHER . . . . .			04
6	MS21042L5	. NUT EQU NAS1291-5 . . . . .			06
7	MS21042L6	. NUT EQU NAS1291-6 . . . . .			04
8	NAS464P5A13	. BOLT . . . . .			02
9	NAS464P5A20	. BOLT . . . . .			02
10	NAS464P5A25	. BOLT . . . . .			02
11	NAS464P6A31	. BOLT . . . . .			02
12	NAS464P6A35	. BOLT . . . . .			02
13	2622223-1	. RETAINER . . . . .			02
14	2622087-1	. ATTACH ANGLE - LH FSO 2622087-5 . . . . .			NP
- 14A	2622087-2	. ATTACH ANGLE - RH FSO 2622087-6 . . . . .			NP
- 14B	2622087-3	. ATTACH ANGLE - LH FSO 2622087-7 . . . . .			NP
- 14C	2622087-4	. ATTACH ANGLE - RH FSO 2622087-8 . . . . .			NP
14D	2622122-1	. STIFFENER - LH AFT SIDE OF SPAR . . . . .			01
- 14E	2622122-2	. STIFFENER - RH AFT SIDE OF SPAR . . . . .			01
15	2622198-1	. STRUT SUPPORT ASSY - LH REAR & RH FRONT . . . . .			01
16	2622198-2	. STRUT SUPPORT ASSY - RH REAR & LH FRONT . . . . .			01
17	NAS1149F0432P	. WASHER . . . . .			02
18	NAS1149F0532P	. WASHER . . . . .			04
19	NAS1149F0632P	. WASHER . . . . .			04
20	MS21083N5	. NUT . . . . .			04
21	MS21083N6	. NUT . . . . .			04
22	MS21042L4	. NUT EQU NAS1291-4 . . . . .			02
23	NAS464P4A7	. BOLT . . . . .			02
24	NAS464P5A10	. BOLT . . . . .			02
25	NAS464P4A14	. BOLT . . . . .			02
26	NAS464P6A14	. BOLT . . . . .			02
27	NAS464P6A16	. BOLT . . . . .			02
28	2621005-1	. STRAP . . . . .			02
29	2622029-1	. ATTACH BRACKET FWD - LH & RH FSO 2622300-3 WS 214.30 . . . . .			NP
30	2622030-1	. ATTACH BRACKET FWD - LH & RH FSO 2622299-5 WS 201.75 . . . . .			NP
31	2622031-1	. ATTACH BRACKET FWD - LH FSO 2622298-5 WS 185.30 . . . . .			NP
- 31A	2622031-2	. ATTACH BRACKET FWD - RH FSO 2622298-6 WS 185.30 . . . . .			NP
32	2622032-1	. ATTACH BRACKET FWD - LH & RH FSO 2622297-3 WS 170.60 . . . . .			NP
33	2622033-1	. ATTACH BRACKET FWD - LH & RH FSO 2622296-3 WS 155.90 . . . . .			NP
34	2622035-1	. ATTACH BRACKET FWD - LH & RH FSO 2622295-1 WS 126.50 . . . . .			NP
35	2622035-1	. ATTACH BRACKET FWD - LH FSO 2622294-3 WS 112.00 . . . . .			NP
- 35A	2622035-2	. ATTACH BRACKET FWD - RH FSO 2622294-4 WS 112.00 . . . . .			NP
36	2622037-1	. ATTACH BRACKET AFT - LH & RH WS 214.30 . . . . .			01
37	2622039-1	. ATTACH BRACKET AFT - LH & RH WS 185.30 . . . . .			01
38	2622040-1	. ATTACH BRACKET AFT - LH & RH WS 170.60 . . . . .			01
39	2622041-1	. ATTACH BRACKET AFT - LH & RH WS 155.90 . . . . .			01
40	2622042-1	. ATTACH BRACKET AFT - LH & RH WS 126.50 . . . . .			01
41	2622044-1	. ATTACH BRACKET AFT - LH WS 97.50 . . . . .			01
- 41A	2622044-2	. ATTACH BRACKET AFT - RH WS 97.50 . . . . .			01
42	2622045-1	. ATTACH BRACKET FWD - LH FSO 2622293-3 WS 97.50 . . . . .			NP
- 42A	2622045-2	. ATTACH BRACKET FWD - RH FSO 2622293-4 WS 97.50 . . . . .			NP
43	2622046-1	. ATTACH BRACKET FWD - LH FSO 2622292-5 WS 83.00 . . . . .			NP
- 43A	2622046-2	. ATTACH BRACKET FWD - RH FSO 2622292-6 WS 83.00 . . . . .			NP
44	2622048-1	. ATTACH BRACKET AFT - LH WS 112.00 . . . . .			01
- 44A	2622048-2	. ATTACH BRACKET AFT - RH WS 112.00 . . . . .			01
45	2622050-1	. ATTACH BRACKET AFT - LH WS 83.00 . . . . .			01
- 45A	2622050-2	. ATTACH BRACKET AFT - RH WS 83.00 . . . . .			01
46	2622052-1	. ATTACH BRACKET AFT - LH WS 68.00 . . . . .			01
- 46A	2622052-2	. ATTACH BRACKET AFT - RH WS 68.00 . . . . .			01
47	2622053-1	. ATTACH BRACKET FWD - LH FSO 2622291-3 WS 68.00 . . . . .			NP
- 47A	2622053-2	. ATTACH BRACKET FWD - RH FSO 2622291-4 WS 68.00 . . . . .			NP
48	2622055-1	. ATTACH BRACKET FWD - LH FSO 2622290-3 WS 53.00 . . . . .			NP
- 48A	2622055-2	. ATTACH BRACKET FWD - RH FSO 2622290-4 WS 53.00 . . . . .			NP
49	2622073-1	. ATTACH BRACKET AFT - LH & RH WS 199.80 . . . . .			01
50	2622079-1	. ATTACH BRACKET AFT - LH WS 53.00 . . . . .			01
- 50A	2622079-2	. ATTACH BRACKET AFT - RH WS 53.00 . . . . .			01
51	2622129-1	. ATTACH BRACKET AFT - LH FSO 2622129-7 WS 35.00 . . . . .			NP
- 51A	2622129-2	. ATTACH BRACKET AFT - RH FSO 2622129-8 WS 35.00 . . . . .			NP
52	2622150-1	. ATTACH BRACKET FWD - LH FSO 2622289-5 WS 35.00 . . . . .			NP
- 52A	2622150-2	. ATTACH BRACKET FWD - RH WS 35.00 . . . . .			01

- ITEM NOT ILLUSTRATED

CESSNA®  
**MODEL 208**  
ILLUSTRATED PARTS CATALOG

A24612



2622R3003

FRONT WING SPAR ASSEMBLIES - 208  
FIGURE 01 (SHEET 2)



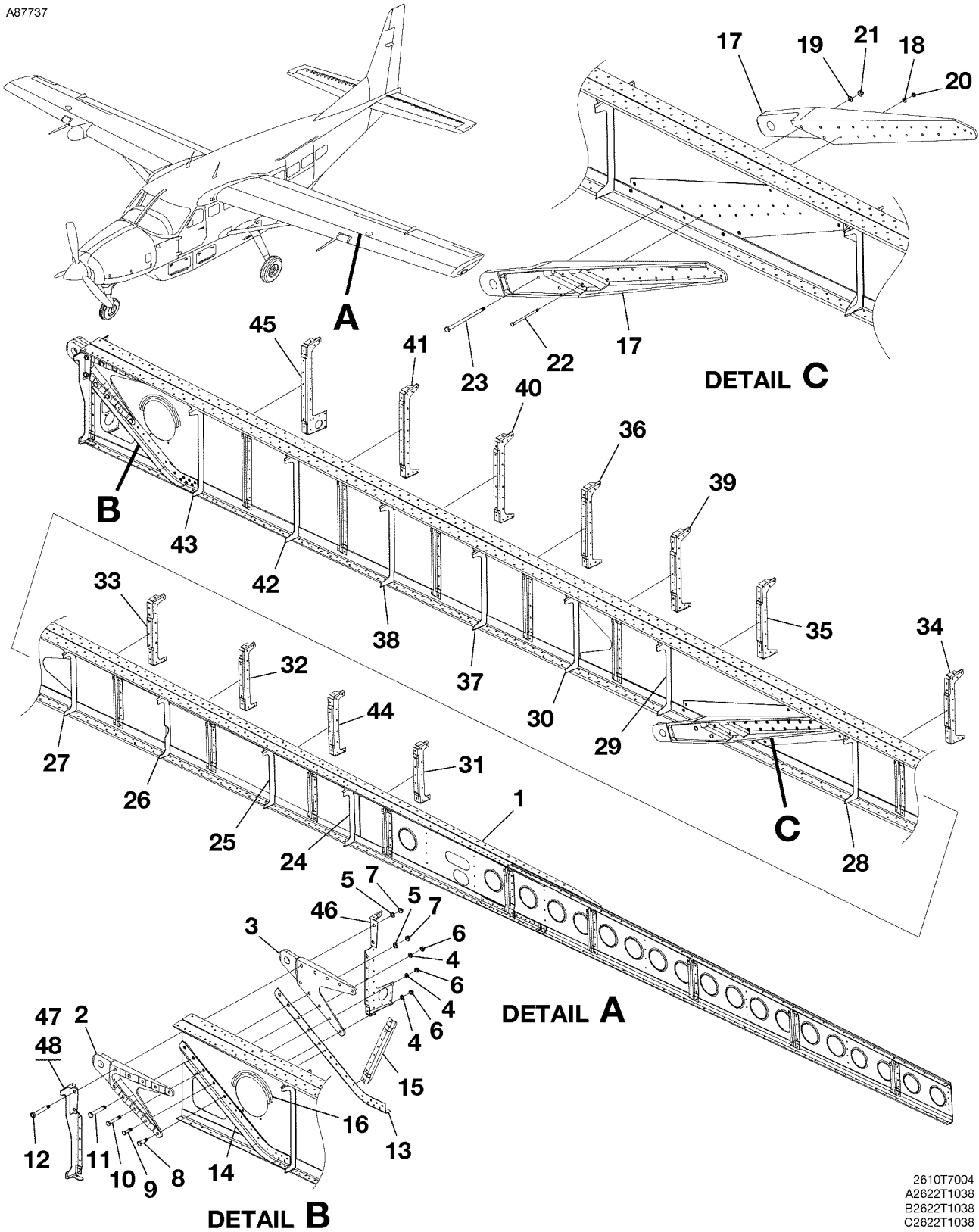
CESSNA®  
**MODEL 208**  
 ILLUSTRATED PARTS CATALOG

FIG ITEM	PART NUMBER	NOMENCLATURE							UNITS PER ASSY	
		1	2	3	4	5	6	7		
01										
75	2622188-1	. .								01
76	2622188-10	. .								01
77	2622188-2	. .								01
78	2622188-3	. .								01
79	2622188-4	. .								01
80	2622188-5	. .								01
81	2622188-6	. .								01
82	2622188-7	. .								01
83	2622188-8	. .								01
84	2622188-9	. .								01
85	2622189-1	. .								01
86	2622076-1	. .								01
87	2622076-2	. .								01
88	2622188-1	. .								01
89	2622188-12	. .								01
90	2622188-13	. .								01
91	2622188-14	. .								01
92	2622188-15	. .								01
93	2622195-13	. .								01
- 93A	2622195-14	. .								01
94	2622195-15	. .								01
- 94A	2622195-16	. .								01
95	2622195-17	. .								01
- 95A	2622195-22	. .								01
96	2622195-19	. .								01
- 96A	2622195-20	. .								01

- ITEM NOT ILLUSTRATED

CESSNA®  
**MODEL 208**  
 ILLUSTRATED PARTS CATALOG

A87737



FRONT WING SPAR ASSEMBLIES - 208  
 FIGURE 02 (SHEET 1)

2610T7004  
 A2622T1038  
 B2622T1038  
 C2622T1038

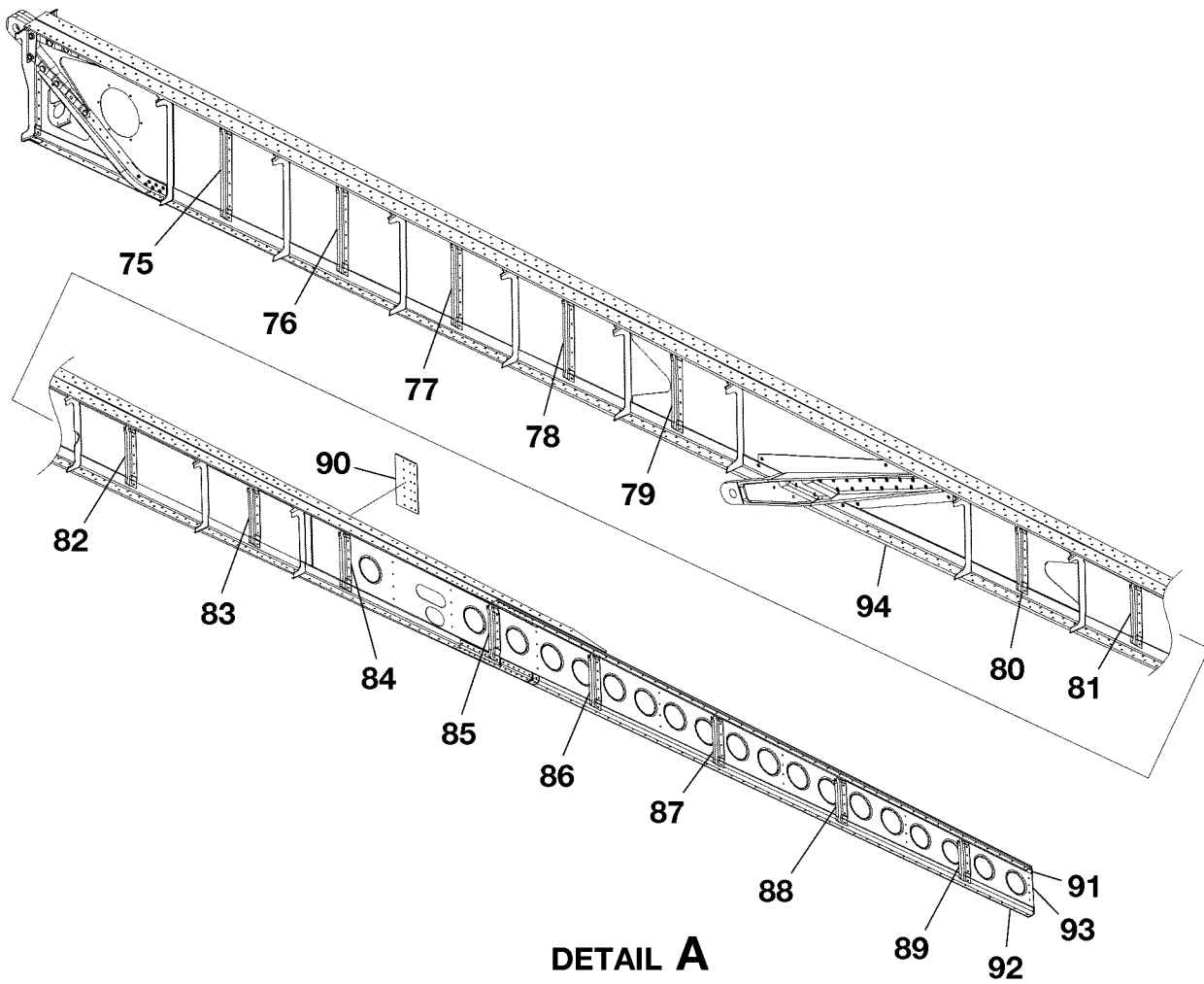
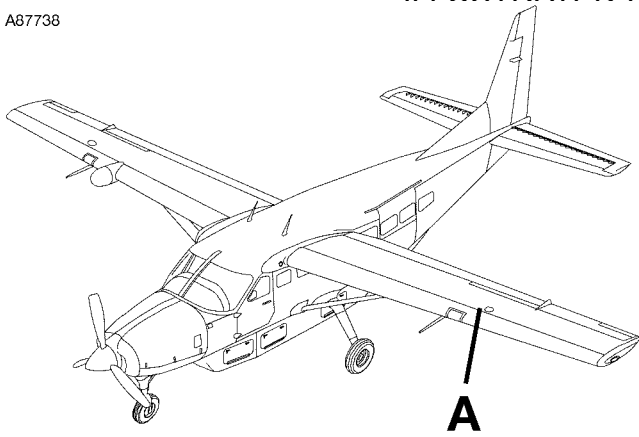
**CESSNA®**  
**MODEL 208**  
**ILLUSTRATED PARTS CATALOG**

FIG ITEM	PART NUMBER	NOMENCLATURE	UNITS PER ASSY		
			1	2	3
02		FRONT WING SPAR ASSEMBLIES - 208			
-			0011	0011	RF
			0013	0049	
1	2622247-1	SPAR ASSY - LH FSO 2622347-1			NP R
- 1A	2622247-2	SPAR ASSY - RH FSO 2622347-2			NP R
2	2622017-1	FITTING AFT - LH			01
- 2A	2622017-2	FITTING AFT - RH			01
3	2622017-3	FITTING FWD - LH			01
- 3A	2622017-4	FITTING FWD - RH			01
4	NAS1149F0563P	WASHER			06
5	NAS1149F0663P	WASHER			04
6	MS21042L5	NUT EQU NAS1291-5			06
7	MS21042L6	NUT EQU NAS1291-6			04
8	NAS464P5A13	BOLT			02
9	NAS464P5A20	BOLT			02
10	NAS464P5A25	BOLT			02
11	NAS464P6A31	BOLT			02
12	NAS464P6A35	BOLT			02
13	2622087-1	ATTACH ANGLE - LH FSO 2622087-5			NP
- 13A	2622087-2	ATTACH ANGLE - RH FSO 2622087-6			NP
14	2622087-3	ATTACH ANGLE - LH FSO 2622087-7			NP
- 14A	2622087-4	ATTACH ANGLE - RH FSO 2622087-8			NP
15	2622122-1	STIFFENER - LH			01
- 15A	2622122-2	STIFFENER - RH			01
16	2622223-1	RETAINER			01
17	2622246-1	ATTACH FITTING - LH REAR & RH FRONT FSO 2622246-201			NP
- 17A	2622246-2	ATTACH FITTING - RH REAR & LH FRONT FSO 2622246-202			NP
18	NAS1149F0332P	WASHER			02
19	NAS1149F0463P	WASHER			02
20	MS21042L3	NUT EQU NAS1291-3			02
21	MS21042L4	NUT EQU NAS1291-4			02
22	NAS464P3A42	BOLT			02
23	NAS464P4A68	BOLT			02
24	2622029-1	ATTACH BRACKET FWD - LH & RH FSO 2622300-3 WS 214.30			NP
25	2622030-1	ATTACH BRACKET FWD - LH & RH FSO 2622299-5 WS 201.75			NP
26	2622031-1	ATTACH BRACKET FWD - LH FSO 2622298-5 WS 185.30			NP
- 26A	2622031-2	ATTACH BRACKET FWD - RH FSO 2622298-6 WS 185.30			NP
27	2622032-1	ATTACH BRACKET FWD - LH & RH FSO 2622297-3 WS 170.60			NP
28	2622033-1	ATTACH BRACKET FWD - LH & RH FSO 2622296-3 WS 155.90			NP
29	2622034-1	ATTACH BRACKET FWD - LH & RH FSO 2622295-1 WS 126.50			NP
30	2622035-1	ATTACH BRACKET FWD - LH FSO 2622294-3 WS 112.00			NP
- 30A	2622035-2	ATTACH BRACKET FWD - RH FSO 2622294-4 WS 112.00			NP
31	2622037-1	ATTACH BRACKET AFT - LH & RH WS 214.30			01
32	2622039-1	ATTACH BRACKET AFT - LH & RH WS 185.30			01
33	2622040-1	ATTACH BRACKET AFT - LH & RH WS 170.60			01
34	2622041-1	ATTACH BRACKET AFT - LH & RH WS 155.90			01
35	2622042-1	ATTACH BRACKET AFT - LH & RH WS 126.50			01
36	2622044-1	ATTACH BRACKET AFT - LH WS 97.50			01
- 36A	2622044-2	ATTACH BRACKET AFT - RH WS 97.50			01
37	2622045-1	ATTACH BRACKET FWD - LH FSO 2622293-3 WS 97.50			NP
- 37A	2622045-2	ATTACH BRACKET FWD - RH FSO 2622293-4 WS 97.50			NP
38	2622046-1	ATTACH BRACKET FWD - LH FSO 2622292-5 WS 83.00			NP
- 38A	2622046-2	ATTACH BRACKET FWD - RH FSO 2622292-6 WS 83.00			NP
39	2622048-1	ATTACH BRACKET AFT - LH WS 112.00			01
- 39A	2622048-2	ATTACH BRACKET AFT - RH WS 112.00			01
40	2622050-1	ATTACH BRACKET AFT - LH WS 83.00			01
- 40A	2622050-2	ATTACH BRACKET AFT - RH WS 83.00			01
41	2622052-1	ATTACH BRACKET AFT - LH WS 68.00			01
- 41A	2622052-2	ATTACH BRACKET AFT - RH WS 68.00			01
42	2622053-1	ATTACH BRACKET FWD - LH FSO 2622291-3 WS 68.00			NP
- 42A	2622053-2	ATTACH BRACKET FWD - RH FSO 2622291-4 WS 68.00			NP
43	2622055-1	ATTACH BRACKET FWD - LH FSO 2622290-3 WS 53.00			NP
- 43A	2622055-2	ATTACH BRACKET FWD - RH FSO 2622290-4 WS 53.00			NP
44	2622073-1	ATTACH BRACKET AFT - LH & RH WS 199.80			01
45	2622079-1	ATTACH BRACKET AFT - LH WS 53.00			01
- 45A	2622079-2	ATTACH BRACKET AFT - RH WS 53.00			01
46	2622129-1	ATTACH BRACKET AFT - LH FSO 2622129-7 WS 35.00			NP
- 46A	2622129-2	ATTACH BRACKET AFT - RH FSO 2622129-8 WS 35.00			NP
47	2622150-1	ATTACH BRACKET FWD - LH FSO 2622289-5 WS 35.00			NP
- 47A	2622150-2	ATTACH BRACKET FWD - RH WS 35.00			01
48	2622150-1	ATTACH BRACKET FWD - LH FSO 2622289-8 WS 35.00			NP

- ITEM NOT ILLUSTRATED

CESSNA®  
**MODEL 208**  
ILLUSTRATED PARTS CATALOG

A87738



2610T7004  
A2622T1038

FRONT WING SPAR ASSEMBLIES - 208  
FIGURE 02 (SHEET 2)

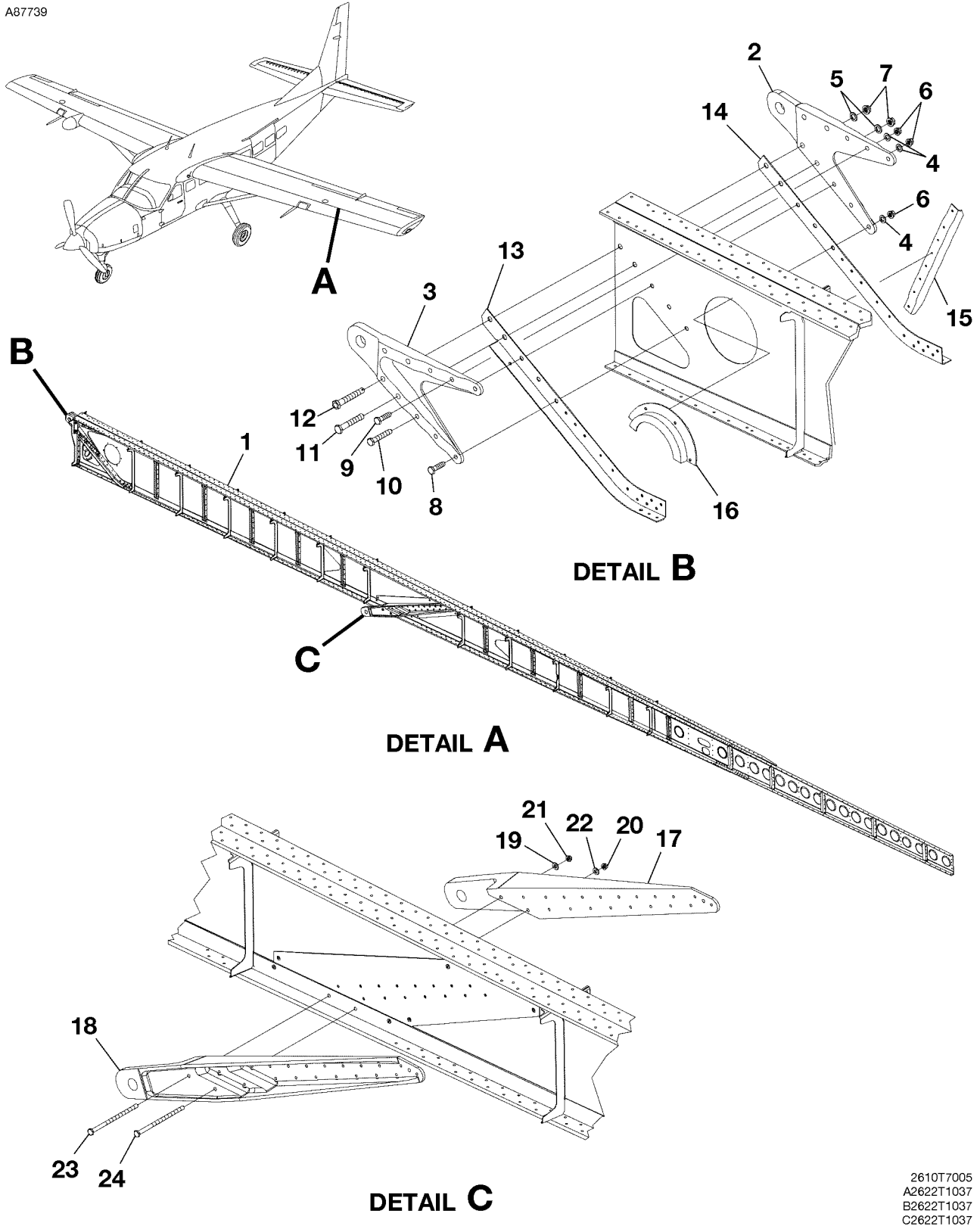
CESSNA®  
**MODEL 208**  
 ILLUSTRATED PARTS CATALOG

FIG ITEM	PART NUMBER	NOMENCLATURE							UNITS PER ASSY
		1	2	3	4	5	6	7	
02									
75	2622188-1	. .							01
76	2622188-2	. .							01
77	2622188-3	. .							01
78	2622188-4	. .							01
79	2622188-5	. .							01
80	2622188-6	. .							01
81	2622188-7	. .							01
82	2622188-8	. .							01
83	2622188-9	. .							01
84	2622188-10	. .							01
85	2622188-11	. .							01
86	2622188-12	. .							01
87	2622188-13	. .							01
88	2622188-14	. .							01
89	2622188-15	. .							01
90	2622189-1	. .							01
91	2622347-5	. .							01 R
- 91A	2622347-6	. .							01 R
92	2622347-7	. .							01 R
- 92A	2622347-8	. .							01 R
93	2622347-3	. .							01 R
- 93A	2622347-4	. .							01 R
94	2622347-9	. .							01 R
- 94A	2622347-10	. .							01 R

- ITEM NOT ILLUSTRATED

CESSNA®  
**MODEL 208**  
 ILLUSTRATED PARTS CATALOG

A87739



FRONT WING SPAR ASSEMBLIES - 208 & 208B  
 FIGURE 03 (SHEET 1)

2610T7005  
 A2622T1037  
 B2622T1037  
 C2622T1037

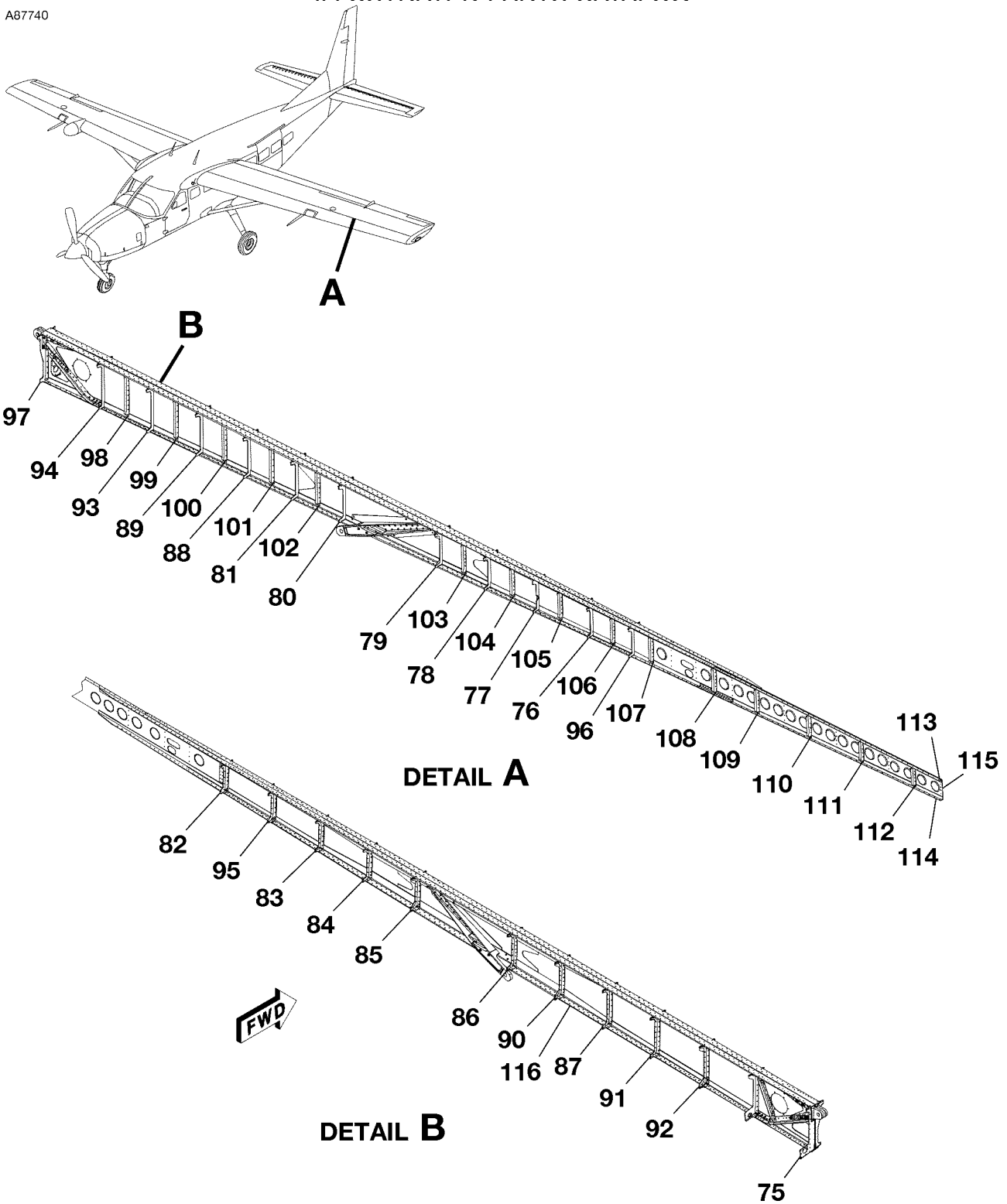
**CESSNA®**  
**MODEL 208**  
**ILLUSTRATED PARTS CATALOG**

FIG ITEM	PART NUMBER	NOMENCLATURE	UNITS PER ASSY		
			1	2	3
03		FRONT WING SPAR ASSEMBLIES - 208 & 208B			
-			0050	0237	RF
			B0001	B0399	
1	2622247-23	. SPAR ASSY - LH FSO 2622347-1 . . . . .			NP
- 1A	2622247-24	. SPAR ASSY - RH FSO 2622347-2 . . . . .			NP
2	2622017-1	. . FITTING AFT - LH . . . . .			01
- 2A	2622017-2	. . FITTING AFT - RH . . . . .			01
3	2622017-3	. . FITTING FWD - LH . . . . .			01
- 3A	2622017-4	. . FITTING FWD - RH . . . . .			01
4	NAS1149F0563P	. . WASHER . . . . .			06
5	NAS1149F0663P	. . WASHER . . . . .			04
6	MS21042L5	. . NUT EQU NAS1291-5 . . . . .			06
7	MS21042L6	. . NUT EQU NAS1291-6 . . . . .			04
8	NAS464P5A13	. . BOLT . . . . .			02
9	NAS464P5A20	. . BOLT . . . . .			02
10	NAS464P5A25	. . BOLT . . . . .			02
11	NAS464P6A31	. . BOLT . . . . .			02
12	NAS464P6A35	. . BOLT . . . . .			02
13	2622087-1	. . ATTACH ANGLE FWD - LH FSO 2622087-5 . . . . .			NP
- 13A	2622087-2	. . ATTACH ANGLE FWD - RH FSO 2622087-6 . . . . .			NP
- 13B	2622087-5	. . ATTACH ANGLE FWD - LH . . . . .	0155	0237	01
			B0180	B0399	
- 13C	2622087-6	. . ATTACH ANGLE FWD - RH . . . . .	0155	0237	01
			B0180	B0399	
14	2622087-3	. . ATTACH ANGLE AFT - LH FSO 2622087-7 . . . . .			NP
- 14A	2622087-4	. . ATTACH ANGLE AFT - RH FSO 2622087-8 . . . . .			NP
- 14B	2622087-7	. . ATTACH ANGLE AFT - LH . . . . .	0155	0237	01
			B0180	B0399	
- 14C	2622087-8	. . ATTACH ANGLE AFT - RH . . . . .	0155	0237	01
			B0180	B0399	
		ATTACHING PARTS			
- 14D	HL18PB6-6	. . PIN . . . . .			07 R
- 14E	HL70-6	. . COLLAR . . . . .			07 R
		—*—			
15	2622122-1	. . STIFFENER - LH . . . . .			01
- 15A	2622122-2	. . STIFFENER - RH . . . . .			01
16	2622223-1	. . RETAINER . . . . .			02
17	2622246-1	. . ATTACH FITTING - LH REAR & RH FRONT FSO 2622246-201 . . . . .	0050	0122	NP
			B0001	B0039	
18	2622246-2	. . ATTACH FITTING - RH REAR & LH FRONT FSO 2622246-202 . . . . .	0050	0122	NP
			B0001	B0039	
- 18A	2622246-7	. . ATTACH FITTING - LH REAR & RH FRONT FSO 2622246-201 . . . . .	0123	0237	NP
			B0039	B0399	
- 18B	2622246-8	. . ATTACH FITTING - RH REAR & LH FRONT FSO 2622246-202 . . . . .	0123	0237	NP
			B0039	B0399	
- 18C	2622246-201	. . ATTACH FITTING - STRUT . . . . .			01
- 18D	2622246-202	. . ATTACH FITTING - STRUT . . . . .			01
19	NAS1149F0332P	. . WASHER . . . . .			02
20	NAS1149F0463P	. . WASHER . . . . .			02
21	MS21042L3	. . NUT EQU NAS1291-3 . . . . .			02
22	MS21042L4	. . NUT EQU NAS1291-4 . . . . .			02
23	NAS464P3A42	. . BOLT . . . . .			02
24	NAS464P4A68	. . BOLT . . . . .			02

- ITEM NOT ILLUSTRATED

CESSNA®  
**MODEL 208**  
ILLUSTRATED PARTS CATALOG

A87740



2610T7005  
A2622T1037  
B2622T1037

FRONT WING SPAR ASSEMBLIES - 208 & 208B  
FIGURE 03 (SHEET 2)



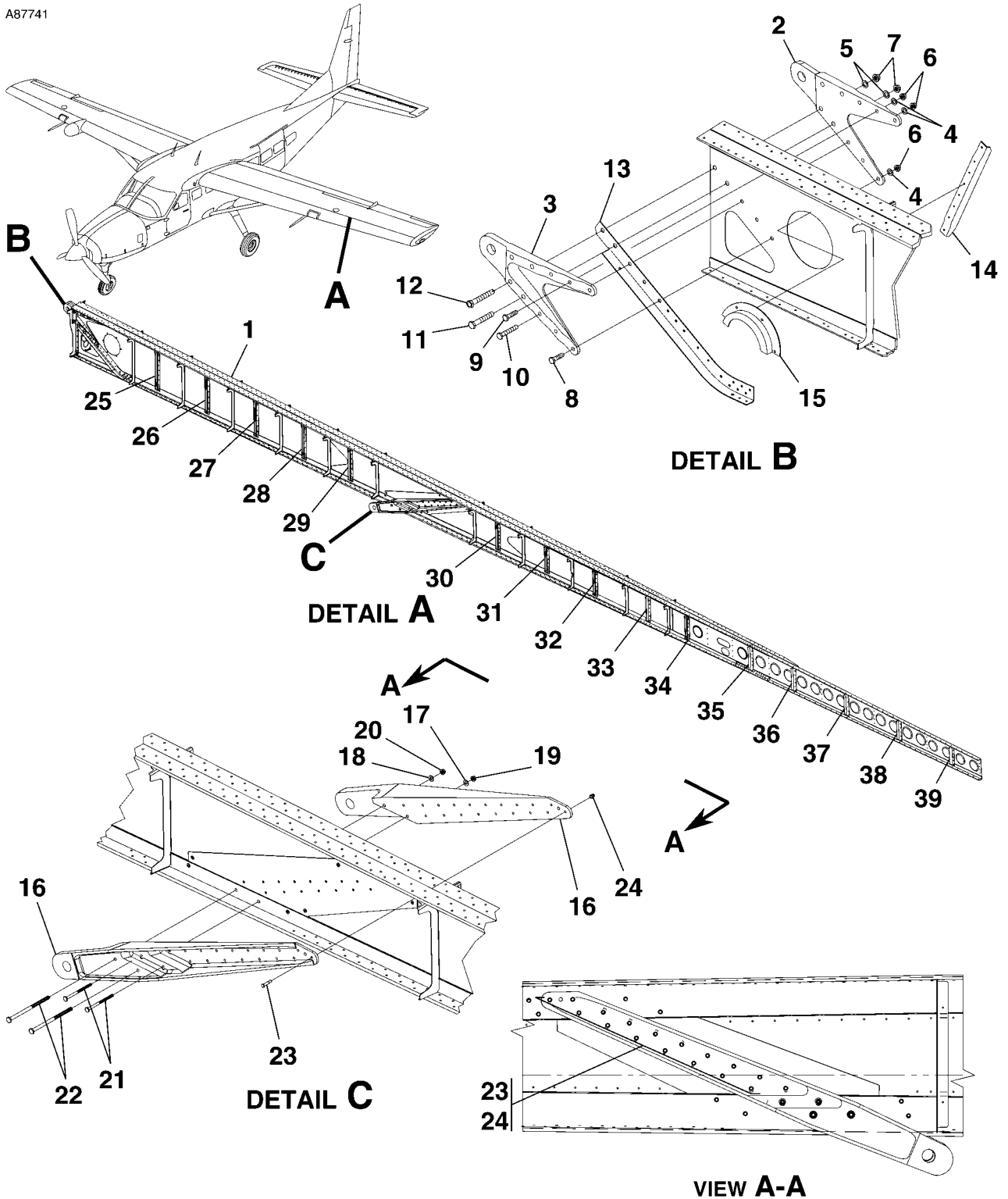
**CESSNA®  
MODEL 208  
ILLUSTRATED PARTS CATALOG**

FIG ITEM	PART NUMBER	NOMENCLATURE	1 2 3 4 5 6 7							UNITS PER ASSY
03										
75	2622029-1	.. ATTACH BRACKET FWD - LH & RH FSO 2622300-3 WS 214.30								NP
76	2622030-1	.. ATTACH BRACKET FWD - LH & RH FSO 2622299-5 WS 201.75								NP
77	2622031-1	.. ATTACH BRACKET FWD - LH FSO 2622298-5 WS 185.30								NP
- 77A	2622031-2	.. ATTACH BRACKET FWD - RH FSO 2622298-6 WS 185.30								NP
78	2622032-1	.. ATTACH BRACKET FWD - LH & RH FSO 2622297-3 WS 170.60								NP
79	2622033-1	.. ATTACH BRACKET FWD - LH & RH FSO 2622296-3 WS 155.90								NP
80	2622034-1	.. ATTACH BRACKET FWD - LH & RH FSO 2622295-5 WS 126.50								NP
81	2622035-1	.. ATTACH BRACKET FWD - LH FSO 2622294-3 WS 112.00								NP
- 81A	2622035-2	.. ATTACH BRACKET FWD - RH FSO 2622294-4 WS 112.00								NP
82	2622037-1	.. ATTACH BRACKET AFT - LH & RH WS 214.30								01
83	2622039-1	.. ATTACH BRACKET AFT - LH & RH WS 185.30								01
84	2622040-1	.. ATTACH BRACKET AFT - LH & RH WS 170.60								01
85	2622041-1	.. ATTACH BRACKET AFT - LH & RH WS 155.90								01
86	2622042-1	.. ATTACH BRACKET AFT - LH & RH WS 126.50								01
87	2622044-1	.. ATTACH BRACKET AFT - LH WS 97.50								01
- 87A	2622044-2	.. ATTACH BRACKET AFT - RH WS 97.50								01
88	2622045-1	.. ATTACH BRACKET FWD - LH FSO 2622293-3 WS 97.50								NP
- 88A	2622046-2	.. ATTACH BRACKET FWD - RH FSO 2622293-4 WS 97.50								NP
89	2622046-1	.. ATTACH BRACKET FWD - LH FSO 2622292-5 WS 83.00								NP
- 89A	2622046-2	.. ATTACH BRACKET FWD - RH FSO 2622292-6 WS 83.00								NP
90	2622048-1	.. ATTACH BRACKET AFT - LH WS 112.00								01
- 90A	2622048-2	.. ATTACH BRACKET AFT - RH WS 112.00								01
91	2622050-1	.. ATTACH BRACKET AFT - LH WS 83.00								01
- 91A	2622050-2	.. ATTACH BRACKET AFT - RH WS 83.00								01
92	2622052-1	.. ATTACH BRACKET AFT - LH WS 68.00								01
- 92A	2622052-1	.. ATTACH BRACKET AFT - RH WS 68.00								01
93	2622053-1	.. ATTACH BRACKET FWD - LH FSO 2622291-3 WS 68.00								NP
- 93A	2622053-S	.. ATTACH BRACKET FWD - RH FSO 2622291-4 WS 68.00								NP
94	2622055-1	.. ATTACH BRACKET FWD - LH FSO 2622290-3 WS 53.00								NP
- 94A	2622055-2	.. ATTACH BRACKET FWD - RH FSO 2622290-4 WS 53.00								NP
95	2622073-1	.. ATTACH BRACKET AFT - LH & RH WS 199.80								01
96	2622129-1	.. ATTACH BRACKET AFT - LH FSO 2622129-7 WS 35.00						0050	0084	NP
- 96A	2622129-2	.. ATTACH BRACKET AFT - RH FSO 2622129-8 WS 35.00						0050	0084	NP
- 96B	2622129-3	.. ATTACH BRACKET AFT - LH FSO 2622129-7 WS 35.00						0085	0114	NP
- 96C	2622129-4	.. ATTACH BRACKET AFT - RH FSO 2622129-8 WS 35.00						0085	0114	NP
- 96D	2622129-5	.. ATTACH BRACKET AFT - LH FSO 2622129-7 WS 35.00						0115	0237	NP
- 96E	2622129-6	.. ATTACH BRACKET AFT - RH FSO 2622129-8 WS 35.00						B0001	B0399	NP
								0115	0237	NP
								B0001	B0399	NP
97	2622150-1	.. ATTACH BRACKET FWD - LH FSO 2622289-5 WS 35.00								NP
- 97A	2622150-2	.. ATTACH BRACKET FWD - RH WS 35.00								01
98	2622188-1	.. STIFFENER								01
99	2622188-2	.. STIFFENER								01
100	2622188-3	.. STIFFENER								01
101	2622188-4	.. STIFFENER								01
102	2622188-5	.. STIFFENER								01
103	2622188-6	.. STIFFENER								01
104	2622188-7	.. STIFFENER								01
105	2622188-8	.. STIFFENER								01
106	2622188-9	.. STIFFENER								01
107	2622188-10	.. STIFFENER								01
108	2622188-11	.. STIFFENER								01
109	2622188-12	.. STIFFENER								01
110	2622188-13	.. STIFFENER								01
111	2622188-14	.. STIFFENER								01
112	2622188-15	.. STIFFENER								01
113	2622347-5	.. SPAR CAP - LH								01
- 113A	2622347-6	.. SPAR CAP - RH								01
114	2622347-7	.. SPAR CAP - LH								01
- 114A	2622347-8	.. SPAR CAP - RH								01
115	2622347-3	.. SPAR WEB - LH								01
- 115A	2622347-4	.. SPAR WEB - RH								01
116	2622347-9	.. SPAR BOND ASSY - LH FSO 2622247-33								NP
- 116A	2622347-10	.. SPAR BOND ASSY - RH FSO 2622247-34								NP

- ITEM NOT ILLUSTRATED

CESSNA®  
**MODEL 208**  
 ILLUSTRATED PARTS CATALOG

A87741



FRONT WING SPAR ASSEMBLIES - 208 & 208B  
 FIGURE 04 (SHEET 1)

2610T7005  
 A2622T1037  
 B2622T1037  
 C2622T1037  
 AA2622T347-1

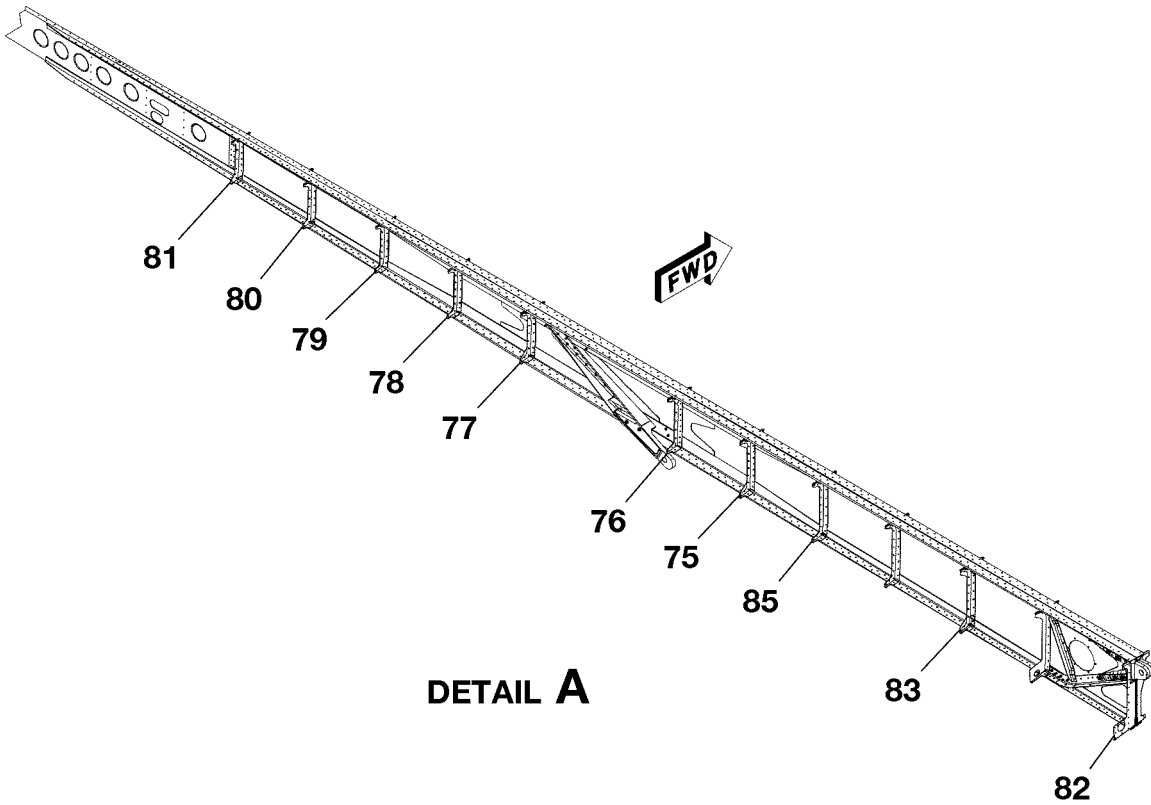
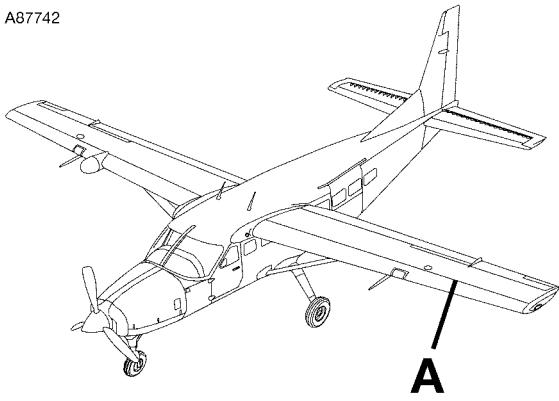
**CESSNA®**  
**MODEL 208**  
**ILLUSTRATED PARTS CATALOG**

FIG ITEM	PART NUMBER	NOMENCLATURE	UNITS		
			PER	ASSY	
04					
-		FRONT WING SPAR ASSEMBLIES - 208 & 208B	0238	& ON	RF
			B0400	& ON	
1	2622247-31	. SPAR ASSY-LH . . . . .	0238	0576	01
			B0400	B5233	
- 1A	2622347-1	. SPAR ASSY-LH . . . . .	0577	& ON	01
			B5234	& ON	
- 1B	2622247-32	. SPAR ASSY-RH . . . . .	0238	0576	01
			B0400	B5233	
- 1C	2622347-2	. SPAR ASSY-RH . . . . .	0577	& ON	01
			B5234	& ON	
2	2622017-1	. FITTING - LH AFT . . . . .			01
- 2A	2622017-2	. FITTING - RH AFT . . . . .			01
3	2622017-3	. FITTING - LH FWD . . . . .			01
- 3A	2622017-4	. FITTING - RH FWD . . . . .			01
4	NAS1149F0563P	. WASHER . . . . .			06
5	NAS1149F0663P	. WASHER . . . . .			04
6	MS21042L5	. NUT EQU NAS1291-5 . . . . .			06
7	MS21042L6	. NUT EQU NAS1291-6 . . . . .			04
8	NAS464P5A13	. BOLT . . . . .			02
9	NAS464P5A20	. BOLT . . . . .			02
10	NAS464P5A25	. BOLT . . . . .			02
11	NAS464P6A31	. BOLT . . . . .			02
12	NAS464P6A35	. BOLT . . . . .			02
13	2622087-7	. ATTACH ANGLE - LH . . . . .			01
- 13A	2622087-8	. ATTACH ANGLE - RH . . . . .			01
		ATTACHING PARTS			
- 13B	HL18PB6-6	. PIN . . . . .			07
- 13C	HL70-6	. COLLAR . . . . .			07
		—*—			
14	2622122-1	. STIFFENER - LH . . . . .			01
- 14A	2622122-2	. STIFFENER - RH . . . . .			01
15	2622223-1	. RETAINER . . . . .			02
16	2622246-15	. ATTACH FITTING - LH REAR & RH FRONT FSO 2622246-201 . . . . .			NP
- 16A	2622246-16	. ATTACH FITTING - RH REAR AND LH FWD FSO 2622246-202 . . . . .			NP
- 16B	2622246-201	. ATTACH FITTING - STRUT . . . . .			01
- 16C	2622246-202	. ATTACH FITTING - STRUT . . . . .			01
		ATTACHING PARTS			
17	NAS1149F0332P	. WASHER . . . . .			02
18	NAS1149F0463P	. WASHER . . . . .			02
19	MS21042L3	. NUT EQU NAS1291-3 . . . . .			02
20	MS21042L4	. NUT EQU NAS1291-4 . . . . .			02
21	NAS464P3A42	. BOLT . . . . .			02
22	NAS464P4A68	. BOLT . . . . .			02
23	HL18PB6-10	. PIN . . . . .			17 R
24	HL70-6	. COLLAR . . . . .			17 R
		—*—			
25	2622188-1	. STIFFENER . . . . .			01
26	2622188-2	. STIFFENER . . . . .			01
27	2622188-3	. STIFFENER . . . . .			01
28	2622188-4	. STIFFENER . . . . .			01
29	2622188-5	. STIFFENER . . . . .			01
30	2622188-6	. STIFFENER . . . . .			01
31	2622188-7	. STIFFENER . . . . .			01
32	2622188-8	. STIFFENER . . . . .			01
33	2622188-9	. STIFFENER . . . . .			01
34	2622188-10	. STIFFENER . . . . .			01
35	2622188-11	. STIFFENER . . . . .			01
36	2622188-12	. STIFFENER . . . . .			01
37	2622188-13	. STIFFENER . . . . .			01
38	2622188-14	. STIFFENER . . . . .			01
39	2622188-15	. STIFFENER . . . . .			01

- ITEM NOT ILLUSTRATED

CESSNA®  
**MODEL 208**  
ILLUSTRATED PARTS CATALOG

A87742



FRONT WING SPAR ASSEMBLIES - 208 & 208B  
FIGURE 04 (SHEET 2)

2610T7005  
A2622T1037

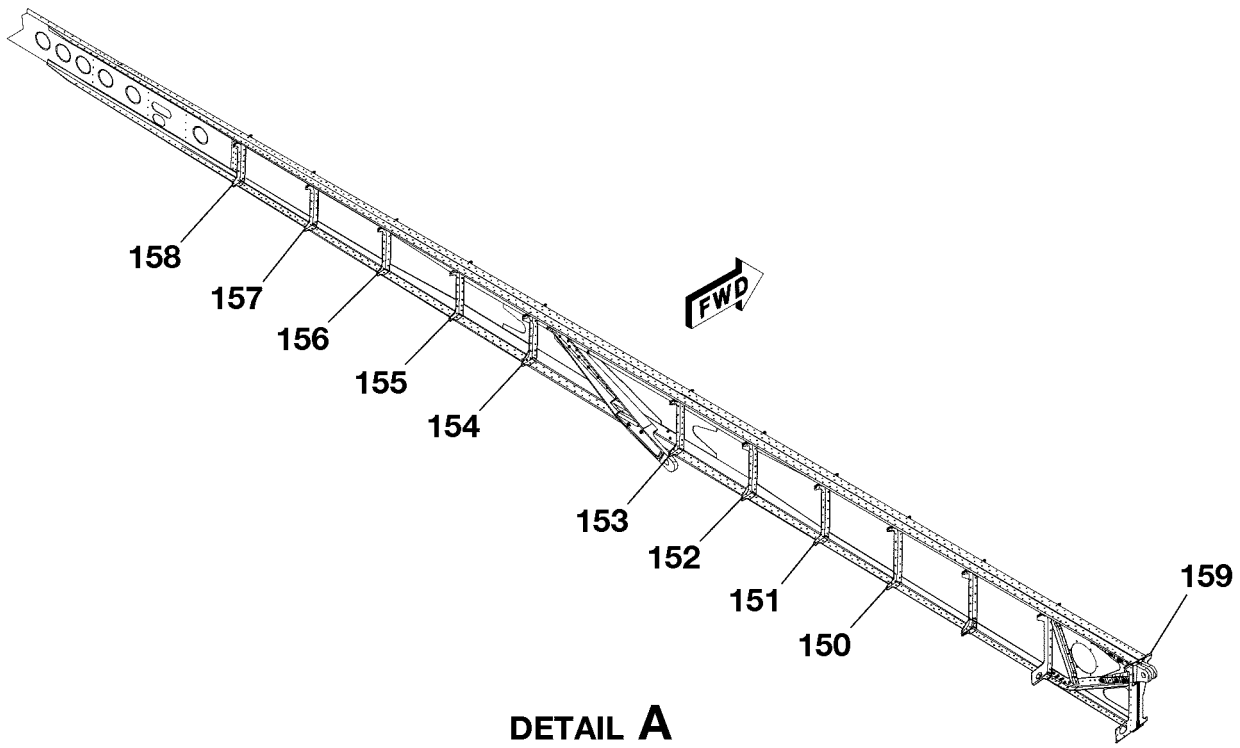
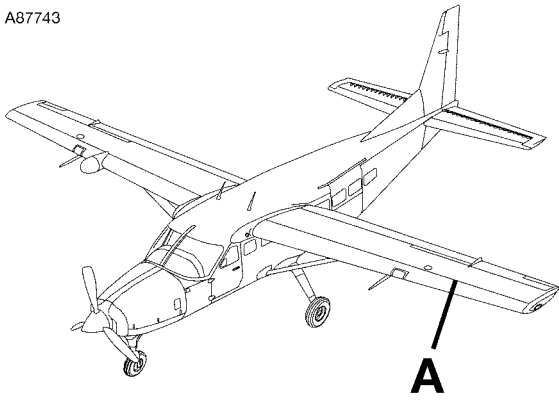
**CESSNA®  
MODEL 208  
ILLUSTRATED PARTS CATALOG**

FIG ITEM	PART NUMBER	1 2 3 4 5 6 7	NOMENCLATURE	UNITS PER ASSY		
04						
75	2622048-1	. . .	ATTACH BRACKET AFT - LH WS 112.00 . . . . .	0238	0532	01
- 75A	2622048-2	. . .	ATTACH BRACKET AFT - RH WS 112.00 . . . . .	B0400	B2288	
- 75B	2622314-23	. . .	ATTACH BRACKET AFT - LH WS 112.00 . . . . .	0238	0532	01
- 75C	2622314-24	. . .	ATTACH BRACKET AFT - RH WS 112.00 . . . . .	B0400	B2288	
76	2622042-1	. . .	ATTACH BRACKET AFT - LH & RH WS 126.50 . . . . .	0533	& ON	01
- 76A	2622314-27	. . .	ATTACH BRACKET AFT - LH WS 126.50 . . . . .	B2289	& ON	
- 76B	2622314-28	. . .	ATTACH BRACKET AFT - RH WS 126.50 . . . . .	0533	& ON	01
77	2622041-1	. . .	ATTACH BRACKET AFT - LH & RH WS 155.90 . . . . .	B2289	& ON	
- 77A	2622314-31	. . .	ATTACH BRACKET AFT - LH WS 155.90 . . . . .	0533	& ON	01
- 77B	2622314-32	. . .	ATTACH BRACKET AFT - RH WS 155.90 . . . . .	B2289	& ON	
78	2622040-1	. . .	ATTACH BRACKET AFT - LH & RH WS 170.60 . . . . .	0533	& ON	01
- 78A	2622314-35	. . .	ATTACH BRACKET AFT - LH WS 170.60 . . . . .	B2289	& ON	
- 78B	2622314-36	. . .	ATTACH BRACKET AFT - RH WS 170.60 . . . . .	0533	& ON	01
79	2622039-1	. . .	ATTACH BRACKET AFT - LH & RH WS 185.30 . . . . .	B2289	& ON	
- 79A	2622314-39	. . .	ATTACH BRACKET AFT - LH WS 185.30 . . . . .	0238	0532	01
- 79B	2622314-40	. . .	ATTACH BRACKET AFT - RH WS 185.30 . . . . .	B0400	B2288	
80	2622073-1	. . .	ATTACH BRACKET AFT - LH & RH WS 199.80 . . . . .	0533	& ON	01
- 80A	2622314-41	. . .	ATTACH BRACKET AFT - LH WS 199.80 . . . . .	B2289	& ON	
- 80B	2622314-42	. . .	ATTACH BRACKET AFT - RH WS 199.80 . . . . .	0533	& ON	01
81	2622037-1	. . .	ATTACH BRACKET AFT - LH & RH WS 214.30 . . . . .	B2289	& ON	
- 81B	2622314-47	. . .	ATTACH BRACKET AFT - LH WS 214.30 . . . . .	0238	0532	01
- 81C	2622314-48	. . .	ATTACH BRACKET AFT - RH WS 214.30 . . . . .	B0400	B2288	
82	2622129-5	. . .	ATTACH BRACKET AFT - LH FSO 2622129-7 WS 35.00 . . . . .	0533	& ON	01
- 82A	2622129-3	. . .	ATTACH BRACKET AFT - RH FSO 2622129-8 WS 35.00 . . . . .	B2289	& ON	
- 82B	2622129-7	. . .	ATTACH BRACKET AFT - LH WS 35.00 . . . . .	0238	0359	NP
- 82C	2622129-8	. . .	ATTACH BRACKET AFT - RH WS 35.00 . . . . .	B0400	B0975	
- 82D	2622314-3	. . .	ATTACH BRACKET AFT - LH WS 35.00 . . . . .	0238	0359	NP
- 82E	2622314-4	. . .	ATTACH BRACKET AFT - RH WS 35.00 . . . . .	B0400	B0975	
83	2622079-1	. . .	ATTACH BRACKET AFT - LH WS 53.00 . . . . .	0360	0532	01
- 83A	2622079-2	. . .	ATTACH BRACKET AFT - RH WS 53.00 . . . . .	B0976	B2288	
- 84	2622314-7	. . .	ATTACH BRACKET AFT - LH WS 53.00 FSO 2622314-49 . . . . .	0360	0532	01
- 84A	2622314-8	. . .	ATTACH BRACKET AFT - RH WS 53.00 FSO 2622314-50 . . . . .	B0976	B2288	
- 84B	2622314-49	. . .	ATTACH BRACKET AFT - LH WS 53.00 . . . . .	0533	& ON	01
- 84C	2622314-50	. . .	ATTACH BRACKET AFT - RH WS 53.00 . . . . .	B2289	& ON	
85	2622052-1	. . .	ATTACH BRACKET AFT - LH WS 68.00 . . . . .	0533	& ON	01
- 85A	2622052-2	. . .	ATTACH BRACKET AFT - RH WS 68.00 . . . . .	B2289	& ON	
- 85B	2622314-11	. . .	ATTACH BRACKET AFT - LH WS 68.00 . . . . .	0238	0532	01
- 85C	2622314-12	. . .	ATTACH BRACKET AFT - RH WS 68.00 . . . . .	B0400	B2288	
				0238	0532	01
				B0400	B2288	
				0238	0532	01
				B0400	B2288	
				0533	& ON	01
				B2289	& ON	
				0533	& ON	01
				B2289	& ON	
				0238	0532	01
				B0400	B2288	
				0238	0532	01
				B0400	B2288	
				0533	& ON	01
				B2289	& ON	
				0533	& ON	01
				B2289	& ON	

- ITEM NOT ILLUSTRATED

CESSNA®  
**MODEL 208**  
ILLUSTRATED PARTS CATALOG

A87743



FRONT WING SPAR ASSEMBLIES - 208 & 208B  
FIGURE 04 (SHEET 3)

2610T7005  
A2622T1037

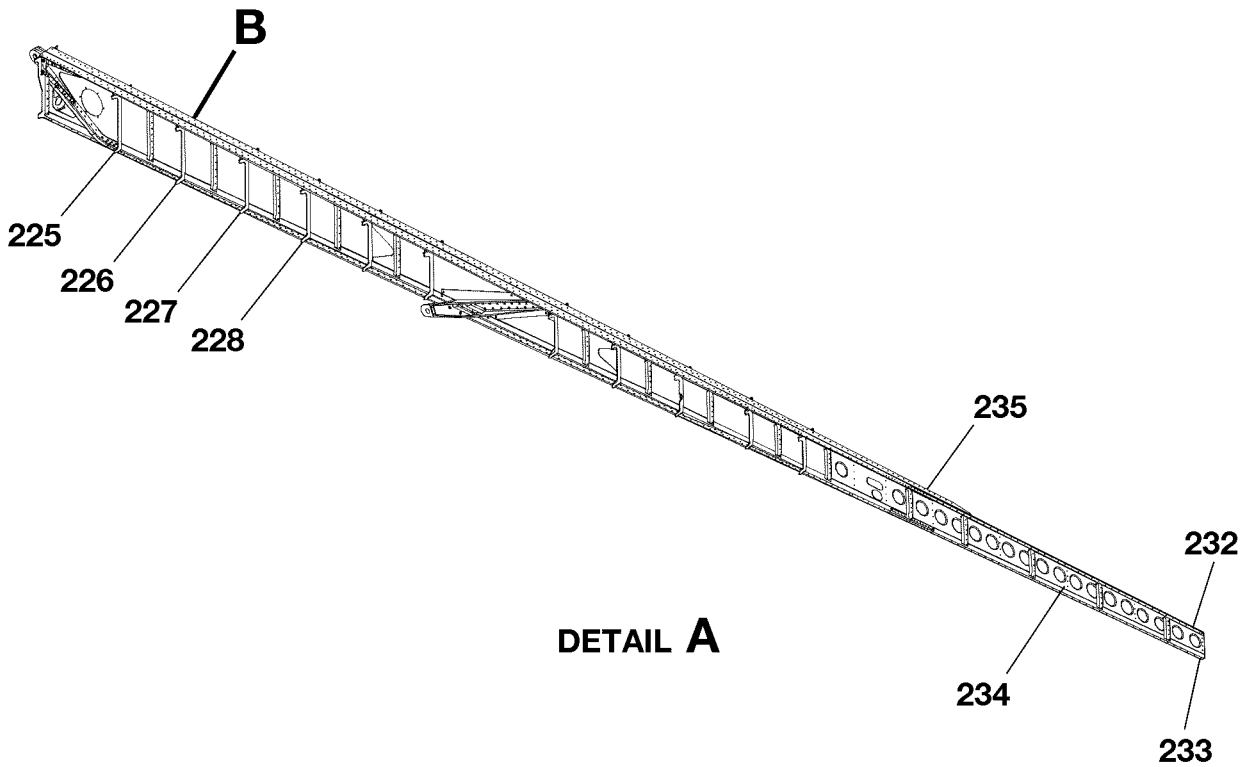
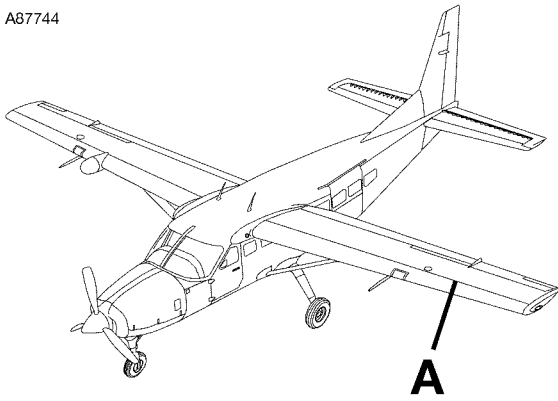
**CESSNA®**  
**MODEL 208**  
**ILLUSTRATED PARTS CATALOG**

FIG ITEM	PART NUMBER	1 2 3 4 5 6 7	NOMENCLATURE	UNITS PER ASSY		
04						
150	2622050-1		.. ATTACH BRACKET AFT - LH WS 83.00 .....	0238	0532	01
				B0400	B2288	
- 150A	2622050-2		.. ATTACH BRACKET AFT - RH WS 83.00 .....	0238	0532	01
				B0400	B2288	
- 150B	2622314-15		.. ATTACH BRACKET AFT - LH WS 83.00 .....	0533	& ON	01
				B2289	& ON	
- 150C	2622314-16		.. ATTACH BRACKET AFT - RH WS 83.00 .....	0533	& ON	01
				B2289	& ON	
151	2622044-1		.. ATTACH BRACKET AFT - LH WS 97.50 .....	0238	0532	01
				B0400	B2288	
- 151A	2622044-2		.. ATTACH BRACKET AFT - RH WS 97.50 .....	0238	0532	01
				B0400	B2288	
- 151B	2622314-19		.. ATTACH BRACKET AFT - LH WS 97.50 FSO 2622314-51 .....	0533	0541	NP
				B2289	2382	
- 151C	2622314-20		.. ATTACH BRACKET AFT - RH WS 97.50 FSO 2622314-52 .....	0533	0541	NP
				B2289	2382	
- 151D	2622314-51		.. ATTACH BRACKET AFT - LH WS 97.50 .....	0542	& ON	01
				B2383	& ON	
- 151E	2622314-52		.. ATTACH BRACKET AFT - RH WS 97.50 .....	0542	& ON	01
				B2383	& ON	
152	2622294-3		.. ATTACH BRACKET FWD - LH WS 112.00 .....	0238	0532	01
				B0400	B2288	
- 152A	2622294-4		.. ATTACH BRACKET FWD - RH WS 112.00 .....	0238	0532	01
				B0400	B2288	
- 152B	2622314-21		.. ATTACH BRACKET FWD - LH WS 112.00 .....	0533	& ON	01
				B2289	& ON	
- 152C	2622314-22		.. ATTACH BRACKET FWD - RH WS 112.00 .....	0533	& ON	01
				B2289	& ON	
153	2622295-5		.. ATTACH BRACKET FWD - LH & RH WS 126.50 .....	0238	0532	01
				B0400	B2288	
- 153A	2622314-25		.. ATTACH BRACKET FWD - LH WS 126.50 .....	0533	& ON	01
				B2289	& ON	
- 153B	2622314-26		.. ATTACH BRACKET FWD - RH WS 126.50 .....	0533	& ON	01
				B2289	& ON	
154	2622296-3		.. ATTACH BRACKET FWD - LH & RH WS 155.90 .....	0238	0532	01
				B0400	B2288	
- 154A	2622314-29		.. ATTACH BRACKET FWD - LH WS 155.90 .....	0533	& ON	01
				B2289	& ON	
- 154B	2622314-30		.. ATTACH BRACKET FWD - RH WS 155.90 .....	0533	& ON	01
				B2289	& ON	
155	2622297-3		.. ATTACH BRACKET FWD - LH & RH WS 170.60 .....	0238	0532	01
				B0400	B2288	
- 155A	2622314-33		.. ATTACH BRACKET FWD - LH WS 170.60 .....	0533	& ON	01
				B2289	& ON	
- 155B	2622314-34		.. ATTACH BRACKET FWD - RH WS 170.60 .....	0533	& ON	01
				B2289	& ON	
156	2622298-5		.. ATTACH BRACKET FWD - LH WS 185.30 .....	0238	0532	01
				B0400	B2288	
- 156A	2622298-6		.. ATTACH BRACKET FWD - RH WS 185.30 .....	0238	0532	01
				B0400	B2288	
- 156B	2622314-37		.. ATTACH BRACKET FWD - LH WS 185.30 .....	0533	& ON	01
				B2289	& ON	
- 156C	2622314-38		.. ATTACH BRACKET FWD - RH WS 185.30 .....	0533	& ON	01
				B2289	& ON	
157	2622299-5		.. ATTACH BRACKET FWD - LH & RH WS 201.75 .....	0238	0532	01
				B0400	B2288	
- 157A	2622314-43		.. ATTACH BRACKET FWD - LH WS 201.75 .....	0533	& ON	01
				B2289	& ON	
- 157B	2622314-44		.. ATTACH BRACKET FWD - RH WS 201.75 .....	0533	& ON	01
				B2289	& ON	
158	2622300-3		.. ATTACH BRACKET FWD - LH & RH WS 214.30 .....	0238	0532	01
				B0400	B2288	
- 158A	2622314-45		.. ATTACH BRACKET FWD - LH WS 214.30 .....	0533	& ON	01
				B2289	& ON	
- 158B	2622314-46		.. ATTACH BRACKET FWD - RH WS 214.30 .....	0533	& ON	01
				B2289	& ON	
159	2622289-5		.. ATTACH BRACKET FWD - LH WS 35.00 .....	0238	0532	01
				B0400	B2288	
- 159A	2622289-6		.. ATTACH BRACKET FWD - RH WS 35.00 .....	0238	0532	01
				B0400	B2288	
- 159B	2622314-1		.. ATTACH BRACKET FWD - LH WS 35.00 .....	0533	& ON	01
				B2289	& ON	
- 159C	2622314-2		.. ATTACH BRACKET FWD - RH WS 35.00 .....	0533	& ON	01
				B2289	& ON	

- ITEM NOT ILLUSTRATED

CESSNA®  
**MODEL 208**  
ILLUSTRATED PARTS CATALOG

A87744



FRONT WING SPAR ASSEMBLIES - 208 & 208B  
FIGURE 04 (SHEET 4)

2610T7005  
A2622T1037



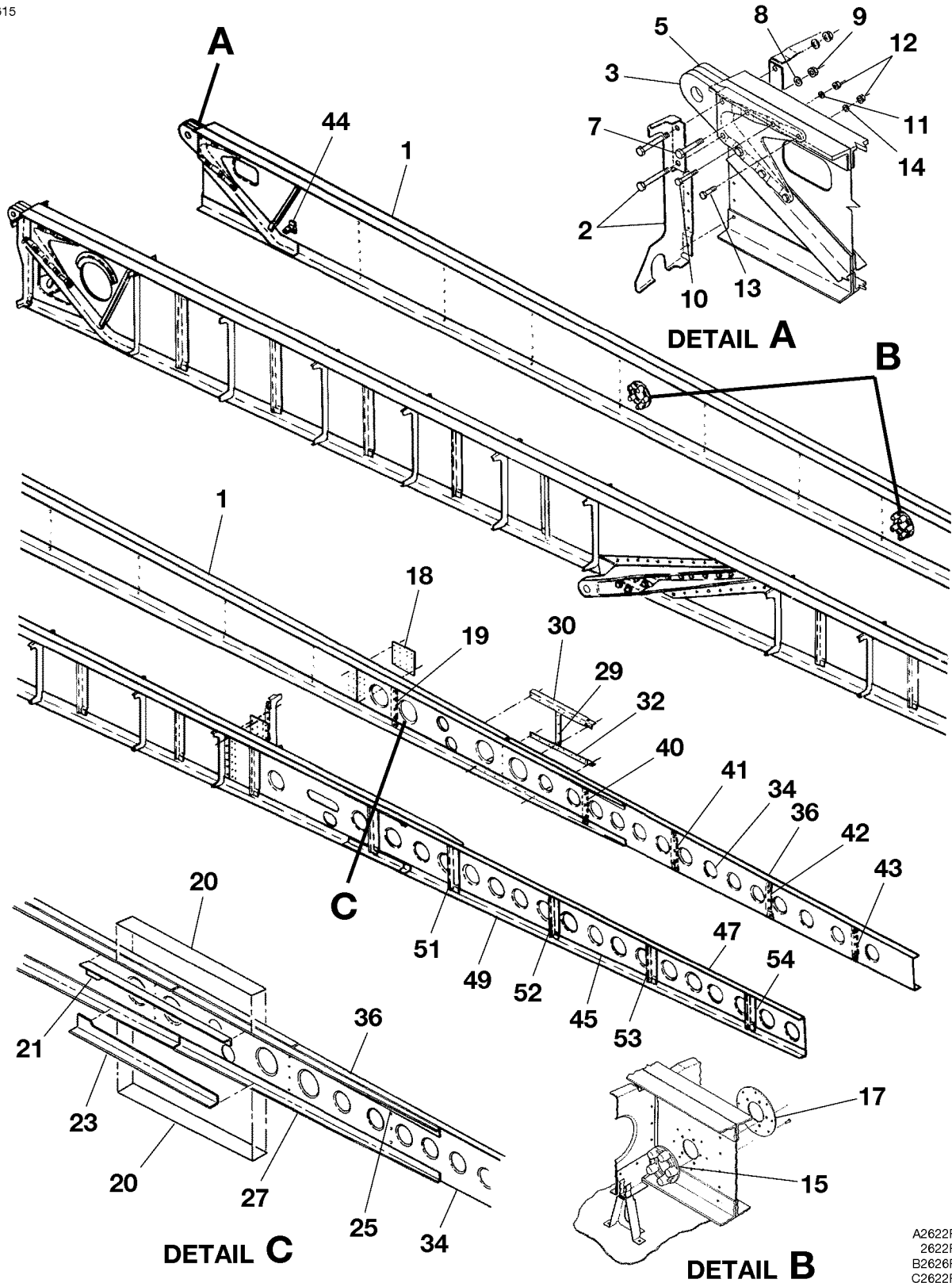
**CESSNA®  
MODEL 208  
ILLUSTRATED PARTS CATALOG**

FIG ITEM	PART NUMBER	1 2 3 4 5 6 7	NOMENCLATURE	UNITS PER ASSY		
04						
225	2622290-3		.. ATTACH BRACKET FWD - LH WS 53.00 .....	0238	0532	01
- 225A	2622290-4		.. ATTACH BRACKET FWD - RH WS 53.00 .....	B0400	B2288	
- 225B	2622314-5		.. ATTACH BRACKET FWD - LH WS 53.00 .....	0238	0532	01
- 225C	2622314-6		.. ATTACH BRACKET FWD - RH WS 53.00 .....	B0400	B2288	
226	2622291-3		.. ATTACH BRACKET FWD - LH WS 68.00 .....	0533	& ON	01
- 226A	2622291-4		.. ATTACH BRACKET FWD - RH WS 68.00 .....	B2289	& ON	
- 226B	2622314-9		.. ATTACH BRACKET FWD - LH WS 68.00 .....	0533	& ON	01
- 226C	2622314-10		.. ATTACH BRACKET FWD - RH WS 68.00 .....	B2289	& ON	
227	2622292-5		.. ATTACH BRACKET FWD - LH WS 83.00 .....	0238	0532	01
- 227A	2622292-6		.. ATTACH BRACKET FWD - RH WS 83.00 .....	B0400	B2288	
- 227B	2622314-13		.. ATTACH BRACKET FWD - LH WS 83.00 .....	0238	0532	01
- 227C	2622314-14		.. ATTACH BRACKET FWD - RH WS 83.00 .....	B0400	B2288	
228	2622293-3		.. ATTACH BRACKET FWD - LH WS 97.50 .....	0533	& ON	01
- 228A	2622293-4		.. ATTACH BRACKET FWD - RH WS 97.50 .....	B2289	& ON	
- 228B	2622314-17		.. ATTACH BRACKET FWD - LH WS 97.50 .....	0238	0532	01
- 228C	2622314-18		.. ATTACH BRACKET FWD - RH WS 97.50 .....	B0400	B2288	
- 229	2622189-1		.. WEB SPLICE .....	0533	& ON	01
- 230	2622076-1		.. SPLICE .....	B2289	& ON	
- 231A	2622076-2		.. SPLICE .....	0238	0532	01
232	2622247-13		.. SPAR CAP-LH .....	B0400	B2288	
- 232A	2622347-5		.. SPAR CAP - OUTBD UPPER-LH .....	0533	& ON	01
- 232B	2622247-14		.. SPAR CAP-RH .....	B2289	& ON	
- 232C	2622347-6		.. SPAR CAP - OUTBD UPPER-RH .....	0238	0576	01
233	2622247-15		.. SPAR CAP-LH .....	B0400	B5233	
- 233A	2622347-7		.. SPAR CAP - OUTBD LOWER-LH .....	0577	& ON	01
- 233B	2622247-16		.. SPAR CAP-RH .....	B5234	& ON	
- 233C	2622347-8		.. SPAR CAP - OUTBD LOWER-RH .....	0238	0576	01
234	2622247-17		.. SPAR WEB-LH .....	B0400	B5233	
- 234A	2622347-3		.. SPAR WEB-LH .....	0577	& ON	01
- 234B	2622247-22		.. SPAR WEB-RH .....	B5234	& ON	
- 234C	2622347-4		.. SPAR WEB-RH .....	0238	0576	01
235	2622247-25		.. SPAR BOND ASSY-LH .....	B0400	B5233	
- 235A	2622247-26		.. SPAR BOND ASSY-RH .....	0577	& ON	01
- 235B	2622247-33		.. SPAR BOND ASSY-LH .....	B5234	& ON	
- 235C	2622347-9		.. SPAR BOND ASSY-LH .....	0238	0403	01
- 235D	2622247-34		.. SPAR BOND ASSY-RH .....	B0400	B1218	
- 235E	2622347-10		.. SPAR BOND ASSY-RH .....	0238	0403	01
				B0400	B1218	
				0404	0576	01
				B1219	B5233	
				0577	& ON	01
				B5234	& ON	
				0404	0576	01
				B1219	B5233	
				0577	& ON	01
				B5234	& ON	

- ITEM NOT ILLUSTRATED

CESSNA®  
**MODEL 208**  
 ILLUSTRATED PARTS CATALOG

A24615



WING SPAR REAR ASSEMBLIES  
 FIGURE 05 (SHEET 1)

A2622R1013  
 2622R3003  
 B2626R3001  
 C2622R1015

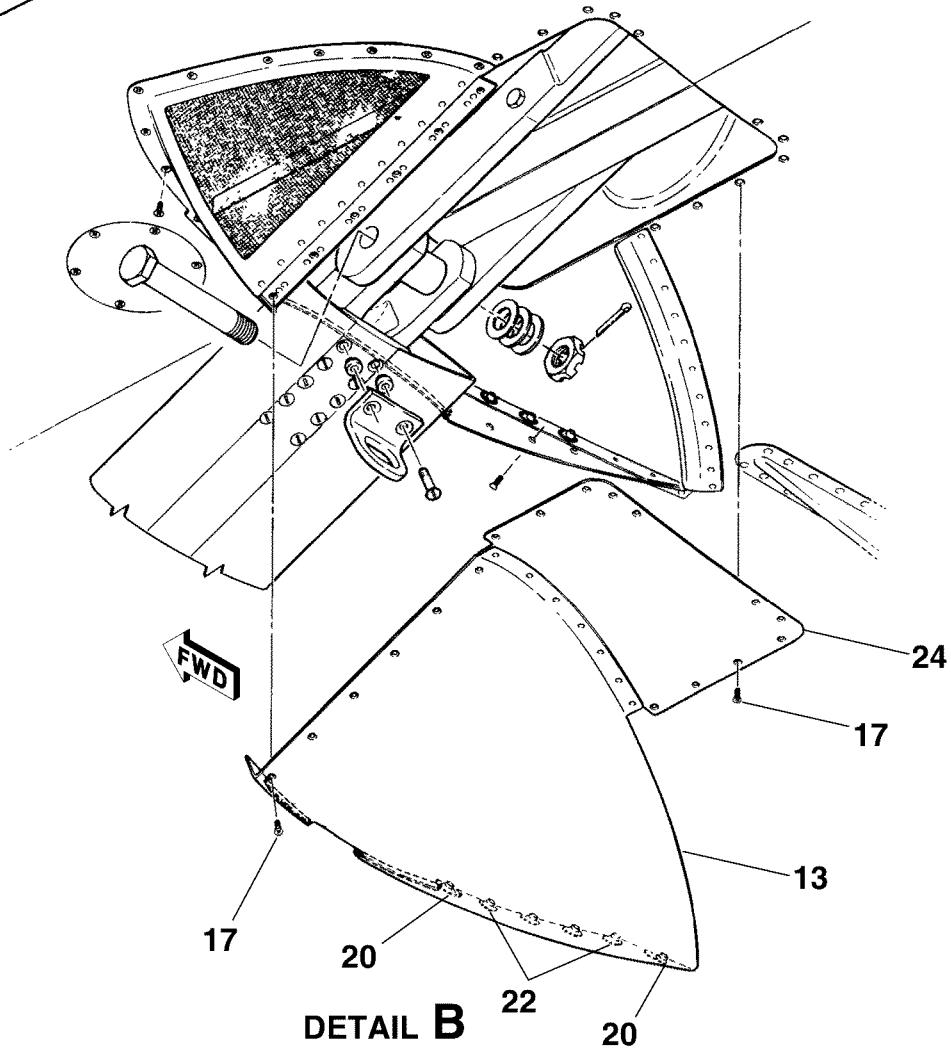
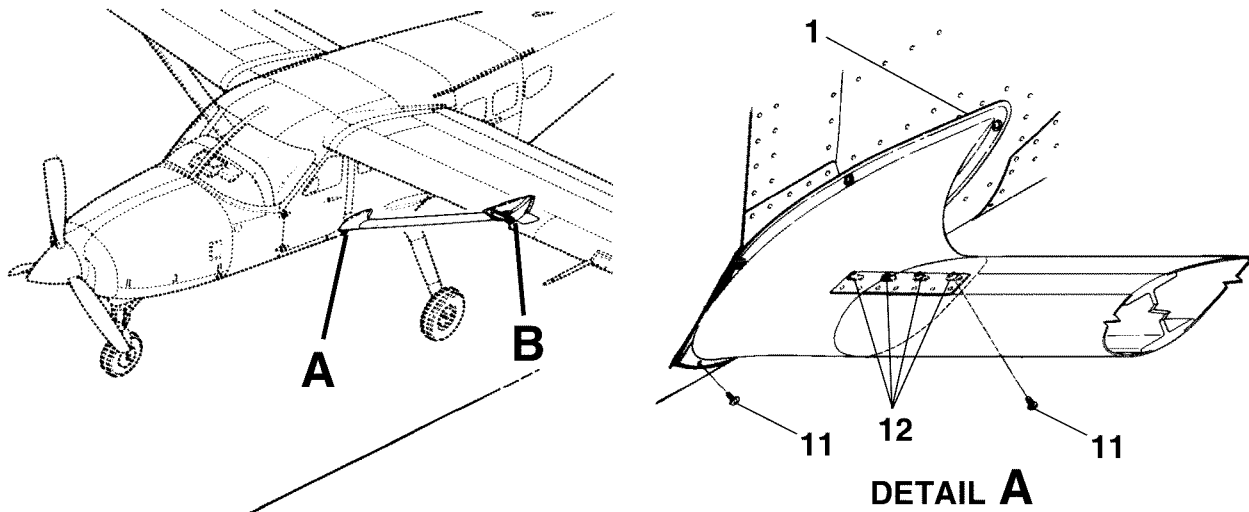
**CESSNA®**  
**MODEL 208**  
**ILLUSTRATED PARTS CATALOG**

FIG ITEM	PART NUMBER	NOMENCLATURE	UNITS		
			1	2	PER ASSY
05		WING SPAR REAR ASSEMBLIES			RF
- 1	2622203-2	. SPAR ASSY SPAR ASSY-WING REAR RH . . . . .			01
- 1A	2622203-1	. SPAR ASSY SPAR ASSY-WING REAR LH . . . . .			01
2		. BRACKET REFER TO 57-10-02 FIGURE 01 . . . . .			RF R
3	2622021-11	. FITTING-REAR SPAR ATTACH FWD LH . . . . .			01
- 4	2622021-12	. FITTING-REAR SPAR ATTACH FWD RH . . . . .			01
5	2622021-9	. FITTING-REAR SPAR ATTACH AFT LH . . . . .			01
- 6	2622021-10	. FITTING-REAR SPAR ATTACH AFT RH . . . . .			01
		ATTACHING PARTS			
7	NAS464P5A23	. BOLT . . . . .			02
8	NAS1149F0532P	. WASHER . . . . .			02
9	MS21042L5	. NUT . . . . .			02
10	NAS464P4A16	. BOLT . . . . .			02
11	NAS1149F0432P	. WASHER . . . . .			02
12	MS21042L4	. NUT . . . . .			04
13	NAS464P4A11	. BOLT . . . . .			02
14	NAS1149F0463P	. WASHER . . . . .			02
		—*			
15	1716008-1	. NUTRING FSO 2626017-2 . . . . .	0001	0552	NP
			B001	B5075	
- 16	2626017-2	. NUTRING REFER TO NOTE 1 . . . . .	0001	0552	02
			B001	B5075	
17	2622251-1	. DOUBLER .032 2024 T3 . . . . .	0001	0552	02
			B001	B5075	
18	2622203-17	. SPLICE-REAR SPAR .080 2024 T3 . . . . .			01
19	2622201-6	. STIFFENER-SPAR S49 . . . . .			01
20	DEV260009-7	. DOUBLER-SPAR CAP . . . . .	0001	0025	02
21	DEV260009-1	. DOUBLER-SPAR CAP SPLICE UPR LH . . . . .	0001	0025	01
- 22	DEV260009-2	. DOUBLER-SPAR CAP SPLICE UPR RH . . . . .	0001	0025	01
23	DEV260009-2	. DOUBLER-SPAR CAP SPLICE LWR LH . . . . .	0001	0025	01
- 24	DEV260009-1	. DOUBLER-SPAR CAP SPLICE LWR RH . . . . .	0001	0025	01
25	DEV260009-5	. SPAR CAP-OUTBD UPR LH . . . . .	0001	0025	01
- 26	DEV260009-6	. SPAR CAP-OUTBD UPR RH . . . . .	0001	0025	01
27	DEV260009-11	. SPAR CAP-OUTBD LWR LH . . . . .	0001	0025	01
- 28	DEV260009-12	. SPAR CAP-OUTBD LWR RH . . . . .	0001	0025	01
29	2622201-5	. STIFFENER-SPAR S49 . . . . .			01
30	2622140-1	. SPLICE-REAR SPAR OUTBD UPR LH .063 2024 T42 . . . . .			01
- 31	2622140-2	. SPLICE-REAR SPAR OUTBD UPR RH .063 2024 T42 . . . . .			01
32	2622140-2	. SPLICE-REAR SPAR OUTBD LWR LH .063 2024 T42 . . . . .			01
- 33	2622140-1	. SPLICE-REAR SPAR OUTBD LWR RH .063 2024 T42 . . . . .			01
34	2622203-12	. WEB-SPAR OUTBD FSO 2622203-20 .032 2024 T3 . . . . .	0001	0198	NP
			B0001	B0244	
- 35	2622203-20	. WEB-SPAR OUTBD . . . . .	0199	& ON	01
			B0245	& ON	
36	2622203-15	. SPAR CAP-REAR SPAR UPR LH .071 2024 T42 . . . . .			01
- 37	2622203-16	. SPAR CAP-REAR SPAR UPR RH .071 2024 T42 . . . . .			01
- 38	2622203-13	. SPAR CAP-REAR SPAR LWR LH .063 2024 T42 . . . . .			01
- 39	2622203-14	. SPAR CAP-REAR SPAR LWR RH .063 2024 T42 . . . . .			01
40	2622201-4	. STIFFENER-SPAR S49 . . . . .			01
41	2622201-3	. STIFFENER-SPAR S49 . . . . .			01
42	2622201-2	. STIFFENER-SPAR S49 . . . . .			01
43	2622201-1	. STIFFENER-SPAR S49 . . . . .			01
44	2606004-3	. TEE-FUEL SELECTOR SWITCH SUPPORT . . . . .			01
45	2622347-3	. SPAR WEB OUTBD LH .032 2024 T3 . . . . .			01
- 46	2622347-4	. SPAR WEB OUTBD RH .032 2024 T3 . . . . .			01
47	2622347-5	. SPAR CAP-UPR LH .080 2024 T42 . . . . .			01
- 48	2622347-6	. SPAR CAP-UPR RH .080 2024 T42 . . . . .			01
49	2622347-7	. SPAR CAP-LWR LH .071 2024 T42 . . . . .			01
- 50	2622347-8	. SPAR CAP-LWR RH .071 2024 T42 . . . . .			01
51	2622188-12	. STIFFENER-SPAR S49 . . . . .			01
52	2622188-13	. STIFFENER-SPAR S49 . . . . .			01
53	2622188-14	. STIFFENER-SPAR S49 . . . . .			01
54	2622188-15	. STIFFENER-SPAR S49 . . . . .			01

NOTE 1—WHEN INITIALLY REPLACING 1716008-1 NUTRING WITH 2626017-2 NUTRING, ALSO ORDER (5) NAS1351-3-12 SCREWS AND (5) NAS1351-3-14 SCREWS. REFER TO 28-41-00 FIGURE 01

CESSNA®  
**MODEL 208**  
ILLUSTRATED PARTS CATALOG

A24616



**DETAIL B**  
WING STRUT INSTALLATION  
FIGURE 01 (SHEET 1)

2620R1001  
A2620R3005  
B2620R3001

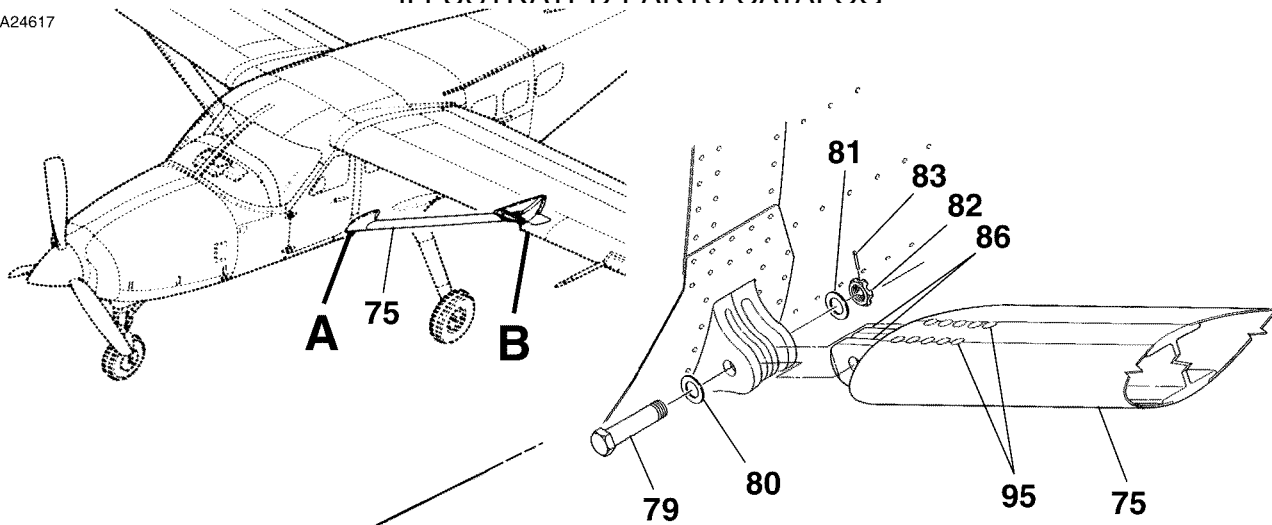
**CESSNA®  
MODEL 208  
ILLUSTRATED PARTS CATALOG**

FIG ITEM	PART NUMBER	NOMENCLATURE	UNITS PER ASSY		
			1	2	3
01		WING STRUT INSTALLATION			RF
-					
1	2621010-1	. CUFF ASSY-LH WING STRUT LWR FSO 2621010-201	0001	0146	NP
- 2	2621010-11	. CUFF ASSY-LH WING STRUT LWR FSO 2621010-201	B0001	B0155	NP
- 3	2621010-201	. CUFF ASSY-LH WING STRUT LWR FSO 2621010-201	0001	0146	NP
			B0001	B0155	
- 4	2621010-15	. CUFF ASSY-LH WING STRUT LWR FSO 2621010-201	0147	0376	NP
- 4A	2621010-23	. CUFF ASSY-LH WING STRUT LWR FSO 2621010-209	0377	& ON	01
- 5	2621010-17	. CUFF ASSY-LH WING STRUT LWR FSO 2621010-201	B0156	B1053	NP
- 5A	2621010-25	. CUFF ASSY-LH WING STRUT LWR FSO 2621010-209	B1054	& ON	01
- 5B	2621010-209	. CUFF ASSY-LH WING STRUT LWR	0377	& ON	01
			B1054	& ON	
- 6	2621010-2	. CUFF ASSY-RH WING STRUT LWR FSO 2621010-202	0001	0146	NP
- 7	2621010-10	. CUFF ASSY-RH WING STRUT LWR FSO 2621010-202	B0001	B0155	NP
- 8	2621010-202	. CUFF ASSY-RH WING STRUT LWR FSO 2621010-206	0001	0146	NP
			B0001	B0155	
- 9	2621010-16	. CUFF ASSY-RH WING STRUT LWR FSO 2621010-206	0147	0376	NP
- 9A	2621010-24	. CUFF ASSY-RH WING STRUT LWR FSO 2621010-210	0377	& ON	01
- 10	2621010-18	. CUFF ASSY-RH WING STRUT LWR FSO 2621010-206	B0156	B1053	NP
- 10A	2621010-26	. CUFF ASSY-RH WING STRUT LWR FSO 2621010-210	B1054	& ON	01
- 10B	2621010-210	. CUFF ASSY-RH WING STRUT LWR	0377	& ON	01
			B1054	& ON	
11	AN525-10R6	. SCREW-WING STRUT LWR ATTACH			10
12	NAS68DA3K	. NUTPLATE	0001	0376	04
			B0001	B1053	
- 12A	MS21047L3K	. NUTPLATE	0377	& ON	02
			B1054	& ON	
- 12B	MS21051L3K	. NUTPLATE	0377	& ON	02
			B1054	& ON	
13	2621012-37	. FAIRING ASSY-WING STRUT UPR LH .032 2024 T42 FSO 2621012-59	0001	0114	NP
			B0001	B0029	
- 14	2621012-55	. FAIRING ASSY-WING STRUT UPR LH .032 2024 T42 FSO 2621012-59	0115	0272	NP
			B0030	B0638	
- 14A	2621012-59	. FAIRING ASSY-WING STRUT UPR LH .032 2024 T42	0273	0346	01
			B0639	B0895	
- 14B	2621012-65	. FAIRING ASSY-WING STRUT UPR LH .032 2024 T42	0347	& ON	01
			B0896	& ON	
- 15	2621012-38	. FAIRING ASSY-WING STRUT UPR RH .032 2024 T42 FSO 2621012-60	0001	0114	NP
			B0001	B0029	
- 16	2621012-54	. FAIRING ASSY-WING STRUT UPR RH .032 2024 T42 FSO 2621012-60	0115	0272	NP
			B0030	B0638	
- 16A	2621012-60	. FAIRING ASSY-WING STRUT UPR RH .032 2024 T42	0273	0346	01
			B0639	B0895	
- 16B	2621012-66	. FAIRING ASSY-WING STRUT UPR RH .032 2024 T42	0347	& ON	01
			B0896	& ON	
17	MS24693-S48	. SCREW-FAIRING ASSY ATTACH			17
- 18	MS24693-S48	. SCREW-FAIRING ASSY ATTACH	0001	0114	06
			B0001	B0029	
- 19	AN525-832R6	. SCREW-FAIRING ASSY ATTACH	0115	& ON	06
			B0030	& ON	
20	MS21053L08K	. NUTPLATE	0001	0114	02
			B0001	B0029	
- 21	NAS682A08K	. NUTPLATE	0115	& ON	02
			B0030	& ON	
22	MS21049L08K	. NUTPLATE	0001	0114	04
			B0001	B0029	
- 23	MS21047L08K	. NUTPLATE	0115	& ON	04
			B0030	& ON	
24	2621012-25	. INSPECTION PLATE LH .020 2024 T3 FSO 2621012-57			NP
- 24A	2621012-57	. INSPECTION PLATE LH .020 2024 T3			01
- 25	2621012-26	. INSPECTION PLATE RH .020 2024 T3 FSO 2621012-58			NP
- 25A	2621012-58	. INSPECTION PLATE RH .020 2024 T3			01

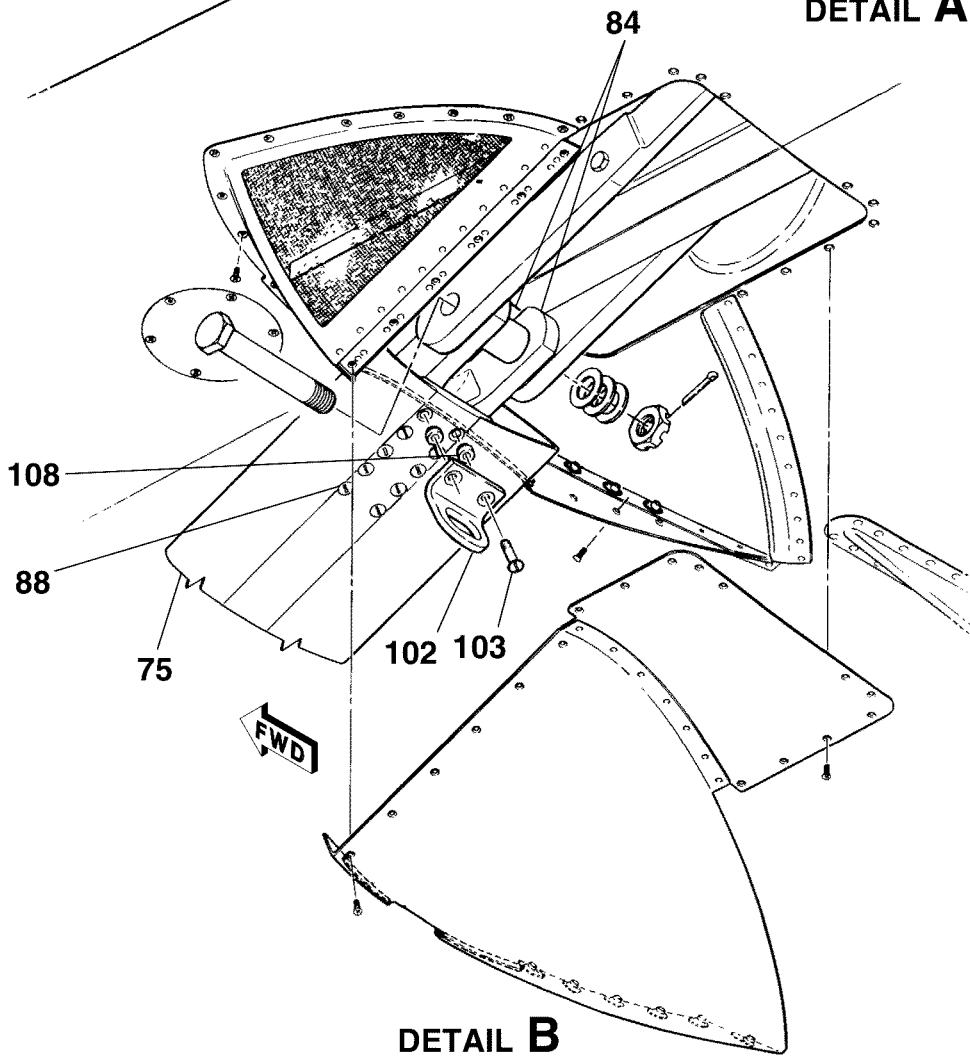
- ITEM NOT ILLUSTRATED

CESSNA®  
**MODEL 208**  
II ILLUSTRATED PARTS CATALOG

A24617



**DETAIL A**



**DETAIL B**

WING STRUT INSTALLATION  
FIGURE 01 (SHEET 2)

2620R1001  
A2620R3004  
B2620R3001

**CESSNA®  
MODEL 208  
ILLUSTRATED PARTS CATALOG**

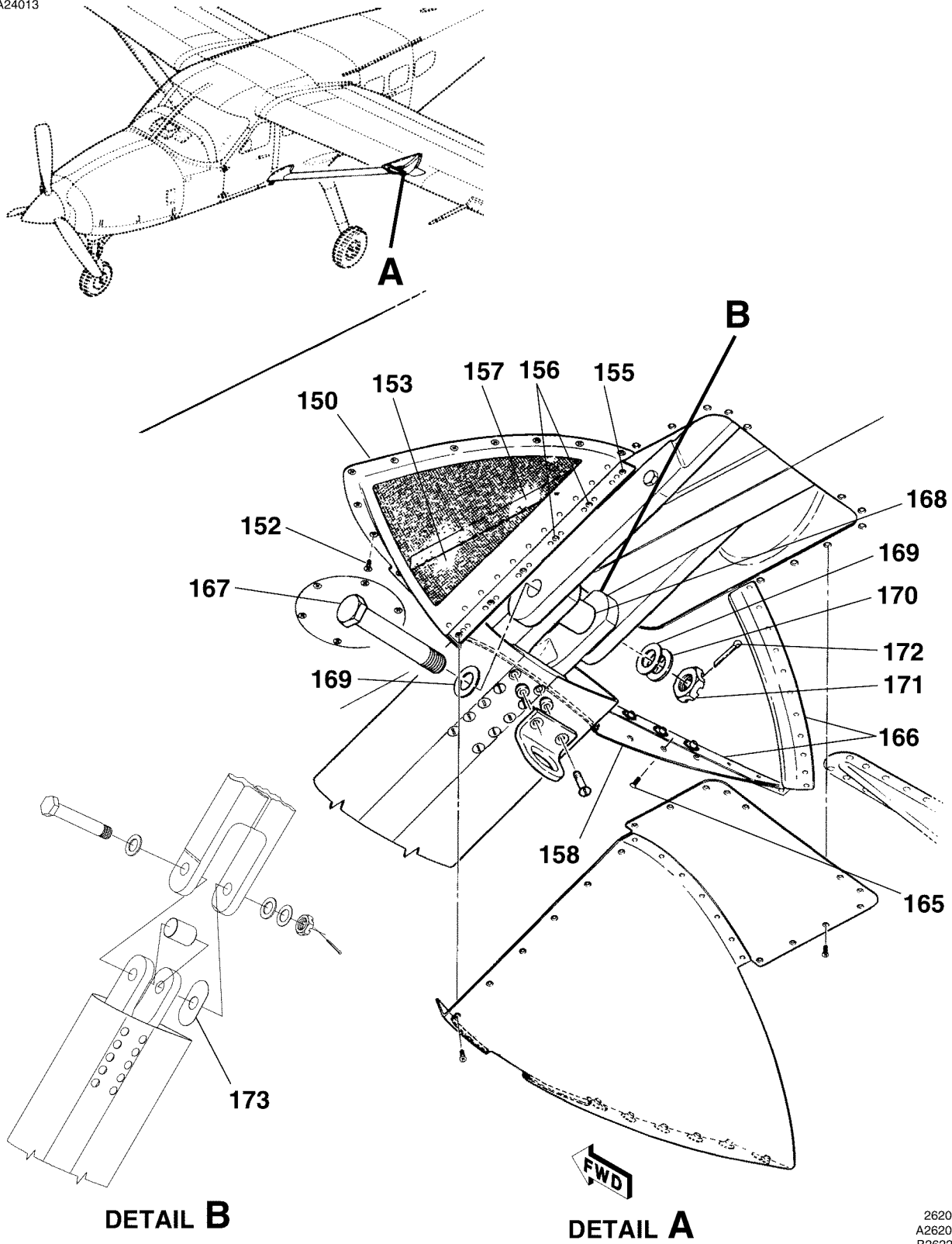
FIG ITEM	PART NUMBER	NOMENCLATURE	UNITS PER ASSY		
			1	2	3
01					
75	2621000-5	. STRUT ASSY-LH WING FSO 2621000-21 . . . . .	0001	0179	NP
			B0001	B0209	
- 76	2621000-11	. STRUT ASSY-LH WING FSO 2621000-21 . . . . .	0180	0259	NP
			B0210	B0571	
- 76A	2621000-19	. STRUT ASSY-LH WING FSO 2621000-21 . . . . .	0260	0393	NP
			B0572	B1139	
- 76B	2621000-21	. STRUT ASSY-LH WING . . . . .	0394	0667	01 R
			B1140	B5616	
- 76C	2621000-23	. STRUT ASSY-LH WING . . . . .	0668	& ON	01 R
			B5617	& ON	
- 77	2621000-6	. STRUT ASSY-RH WING FSO 2621000-22 . . . . .	0001	0179	NP
			B0001	B0209	
- 78	2621000-12	. STRUT ASSY-RH WING FSO 2621000-22 . . . . .	0180	0259	NP
			B0210	B0561	
- 78A	2621000-20	. STRUT ASSY-RH WING FSO 2621000-22 . . . . .	0260	0393	NP
			B0572	B1139	
- 78B	2621000-22	. STRUT ASSY-RH WING . . . . .	0394	0667	01 R
			B1140	B5616	
- 78B	2621000-24	. STRUT ASSY-RH WING . . . . .	0668	& ON	01 R
			B5617	& ON	
79	NAS464P12-37	. BOLT LWR ATTACH FSO S3461-74 . . . . .	0001	0302	NP
			B0001	B0735	
- 79A	S3461-74	. BOLT MPI LWR ATTACH . . . . .	0303	& ON	01
			B0736	& ON	
80	NAS1149F1232P	. WASHER LWR ATTACH . . . . .			01
81	NAS1149F1290P	. WASHER LWR ATTACH . . . . .			01
82	MS17826-12	. NUT LWR ATTACH . . . . .			01
83	MS24665-357	. COTTER PIN LWR ATTACH . . . . .			01
84	2621008-1	. . FITTING-WING STRUT UPR FSO 2621008-201 . . . . .	0001	0179	NP
			B0001	B0209	
- 84A	2621008-201	. . FITTING-WING STRUT UPR . . . . .	0001	0179	02
			B0001	B0209	
- 85	2621008-2	. . FITTING-WING STRUT UPR FSO 2621008-202 . . . . .	0180	0667	NP R
			B0210	B5616	
- 85A	2621008-202	. . FITTING-WING STRUT UPR . . . . .	0180	0667	02 R
			B0210	B5616	
- 85B	2621008-3	. . FITTING-WING STRUT UPR . . . . .	0668	& ON	02 R
			B5617	& ON	
- 85C	DDA06248-2	. . FITTING-WING STRUT UPR REF 2621008 REFER TO NOTE 1 . . . . .	B2275	B2275	02
86	2621009-1	. . FITTING-WING STRUT LWR . . . . .	0001	0179	02
			B0001	B0209	
- 87	2621009-2	. . FITTING-WING STRUT LWR . . . . .	0180	& ON	02
			B0210	& ON	
		ATTACHING PARTS			
88	NAS1221-5-9	. . BOLT UPR . . . . .			09
- 89	NAS585-9	. . BOLT UPR ALT . . . . .			09
- 90	NAS585R9	. . BOLT UPR ALT . . . . .			09
- 91	NAS1580A5-9	. . BOLT UPR ALT . . . . .			09
- 92	NAS1580A5T9	. . BOLT UPR ALT . . . . .			09
- 93	NAS1149F0563P	. . WASHER UPR . . . . .			09
- 94	MS21042L5	. . NUT UPR . . . . .			09
95	NAS1221-5-9	. . BOLT LWR . . . . .			10
- 96	NAS585-9	. . BOLT LWR ALT . . . . .			10
- 97	NAS585R9	. . BOLT LWR ALT . . . . .			10
- 98	NAS1580A5-9	. . BOLT LWR ALT . . . . .			10
- 99	NAS1580A5T9	. . BOLT LWR ALT . . . . .			10
- 100	NAS1149F0563P	. . WASHER LWR . . . . .			10
- 101	MS21042L5	. . NUT LWR . . . . .			10
		—*—			
102	2621011-1	. . TIEDOWN-WING STRUT .250 17-4PH H92 . . . . .			01
		ATTACHING PARTS			
103	NAS1221-5-15	. . BOLT . . . . .			02
- 104	NAS585-15	. . BOLT ALT . . . . .			02
- 105	NAS585R15	. . BOLT ALT . . . . .			02
- 106	NAS1580A5-15	. . BOLT ALT . . . . .			02
- 107	NAS1580A5T15	. . BOLT ALT . . . . .			02
108	2621011-2	. . WASHER . . . . .	0001	0179	02
			B0001	B0209	
- 108A	2621011-3	. . WASHER . . . . .	0180	& ON	02
			B0210	& ON	
- 109	NAS1149F0563P	. . WASHER . . . . .			02
- 110	MS21042L5	. . NUT . . . . .			02
		—*—			

NOTE 1—WHEN ORDERING DDA PART NUMBERS, ALSO PROVIDE REFERENCE DRAWING NUMBER SHOWN IN NOMENCLATURE COLUMN.

- ITEM NOT ILLUSTRATED

CESSNA®  
MODEL 208  
ILLUSTRATED PARTS CATALOG

A24013



WING STRUT INSTALLATION  
FIGURE 01 (SHEET 3)

2620R1001  
A2620R3001  
B2622T1033



**CESSNA®**  
**MODEL 208**  
**ILLUSTRATED PARTS CATALOG**

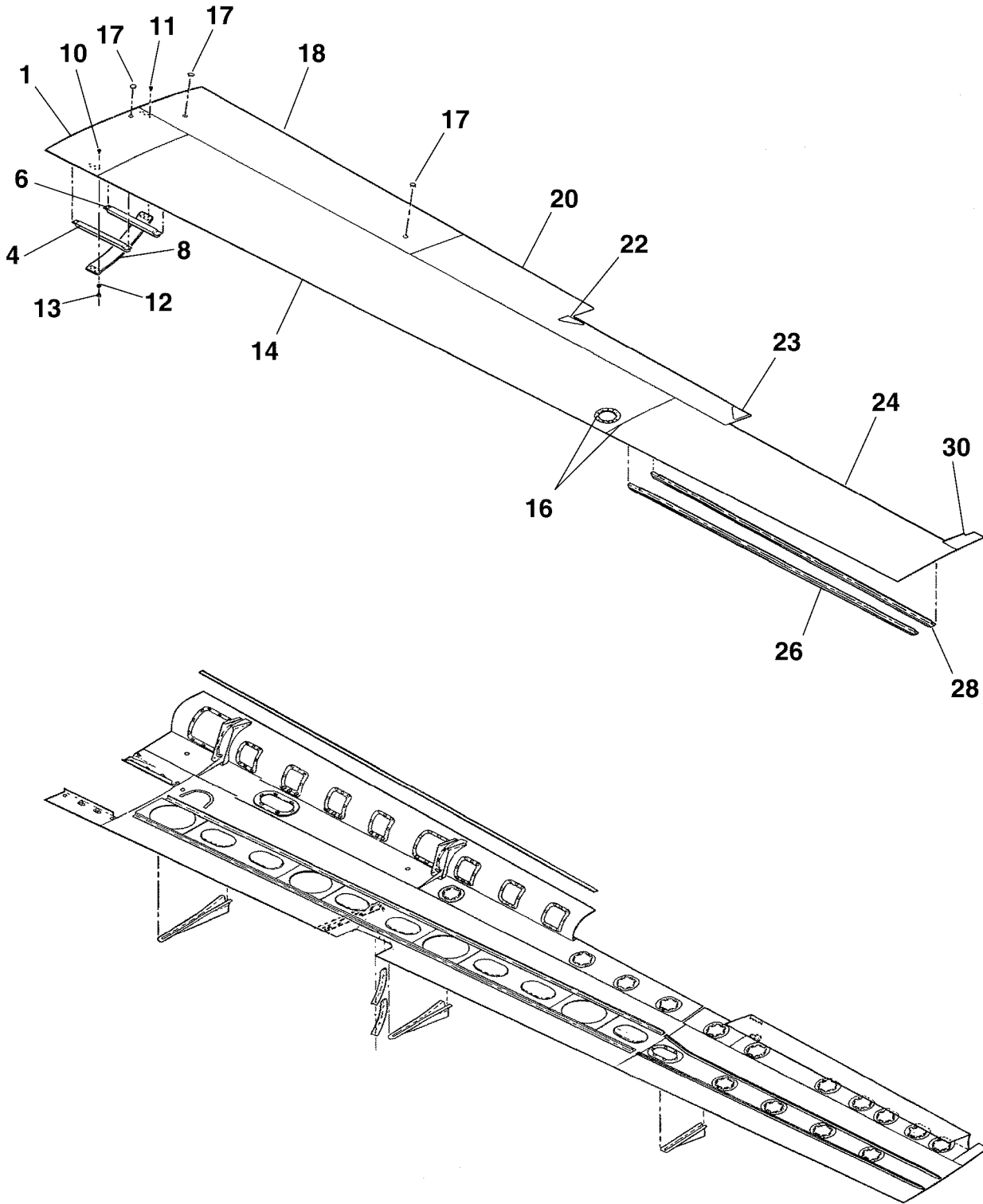
FIG ITEM	PART NUMBER	1 2 3 4 5 6 7	NOMENCLATURE	UNITS PER ASSY	
01					
150	2621012-11		. AIR SCOOP ASSY-LH .032 2024 T42 . . . . .		01
- 151	2621012-12		. AIR SCOOP ASSY-RH .032 2024 T42 . . . . .		01
152	MS24693-S48		. SCREW-AIR SCOOP ASSY ATTACH . . . . .		13
153	2621012-9		. . BULKHEAD ASSY-AIR SCOOP LH .020 2024 T42 . . . . .		01
- 154	2621012-10		. . BULKHEAD ASSY-AIR SCOOP RH .020 2024 T42 . . . . .		01
155	MS21053L08K		. . . NUTPLATE . . . . .		04
156	MS21049L08K		. . . NUTPLATE . . . . .		05
157			. BRACKET REFER TO 57-10-02 FIGURE 03 . . . . .		RF
158	2621012-17		. STRUT CUFF-LH FSO 2621012-41 .020 2024 T42 . . . . .	0001 0009	01
- 159	2621012-41		. STRUT CUFF-LH .020 2024 T42 . . . . .	0010 0114	01
				B0001 B0029	
- 160	2621012-47		. STRUT CUFF-LH .020 2024 T42 . . . . .	0115 & ON	01
				B0030 & ON	
- 161	2621012-18		. STRUT CUFF-RH FSO 2621012-40 .020 2024 T42 . . . . .	0001 0009	01
- 162	2621012-40		. STRUT CUFF-RH .020 2024 T42 . . . . .	0010 0114	01
				B0001 B0029	
- 163	2621012-46		. STRUT CUFF-RH .020 2024 T42 . . . . .	0115 & ON	01
				B0030 & ON	
- 164	MS24693-S48		. SCREW-STRUT CUFF ATTACH . . . . .	0001 0114	06
				B0001 B0029	
165	AN525-832R6		. SCREW-STRUT CUFF ATTACH . . . . .	0115 & ON	06
166			. BRACKETS REFER TO 57-11-00 FIGURE 01 . . . . .		RF
167	NAS464P14-76		. BOLT UPR ATTACH REFER TO NOTE 1 FSO S3461-77 . . . . .	0001 0302	NP
				B0001 B0735	
- 167A	S3461-77		. BOLT MPI UPR ATTACH REFER TO NOTE 1 . . . . .	0303 & ON	01
				B0736 & ON	
168	2621013-2		. SPACER UPR ATTACH REFER TO NOTE 1 . . . . .		01
169	NAS1149F1490P		. WASHER UPR ATTACH REFER TO NOTE 1 . . . . .		02
170	NAS1149F1432P		. WASHER UPR ATTACH REFER TO NOTE 1 . . . . .		01
171	MS17826-14		. NUT UPR ATTACH . . . . .		01
172	MS24665-360		. COTTER PIN UPR ATTACH . . . . .		01
173	2622246-9		. SHIM .020 2024 T3 . . . . .	0348 & ON	01
				B0901 & ON	
- 173A	2622246-10		. SHIM .032 2024 T3 . . . . .	0348 & ON	01
				B0901 & ON	
- 173B	2622246-11		. SHIM .040 2024 T3 . . . . .	0348 & ON	01
				B0901 & ON	
- 173C	2622246-12		. SHIM .050 2024 T3 . . . . .	0348 & ON	01
				B0901 & ON	
- 173D	2622246-13		. SHIM .063 2024 T3 . . . . .	0348 & ON	01
				B0901 & ON	

NOTE 1—WHEN INITIALLY ORDERING THIS PART FOR AIRPLANES -0001 THRU -0206 OR B0001 THRU B0276 ORDER BOLT, SPACER AND WASHERS AS A SET.

- ITEM NOT ILLUSTRATED

CESSNA®  
**MODEL 208**  
ILLUSTRATED PARTS CATALOG

A24618



26203002

WING SKINS AND COMPONENTS  
FIGURE 01 (SHEET 1)

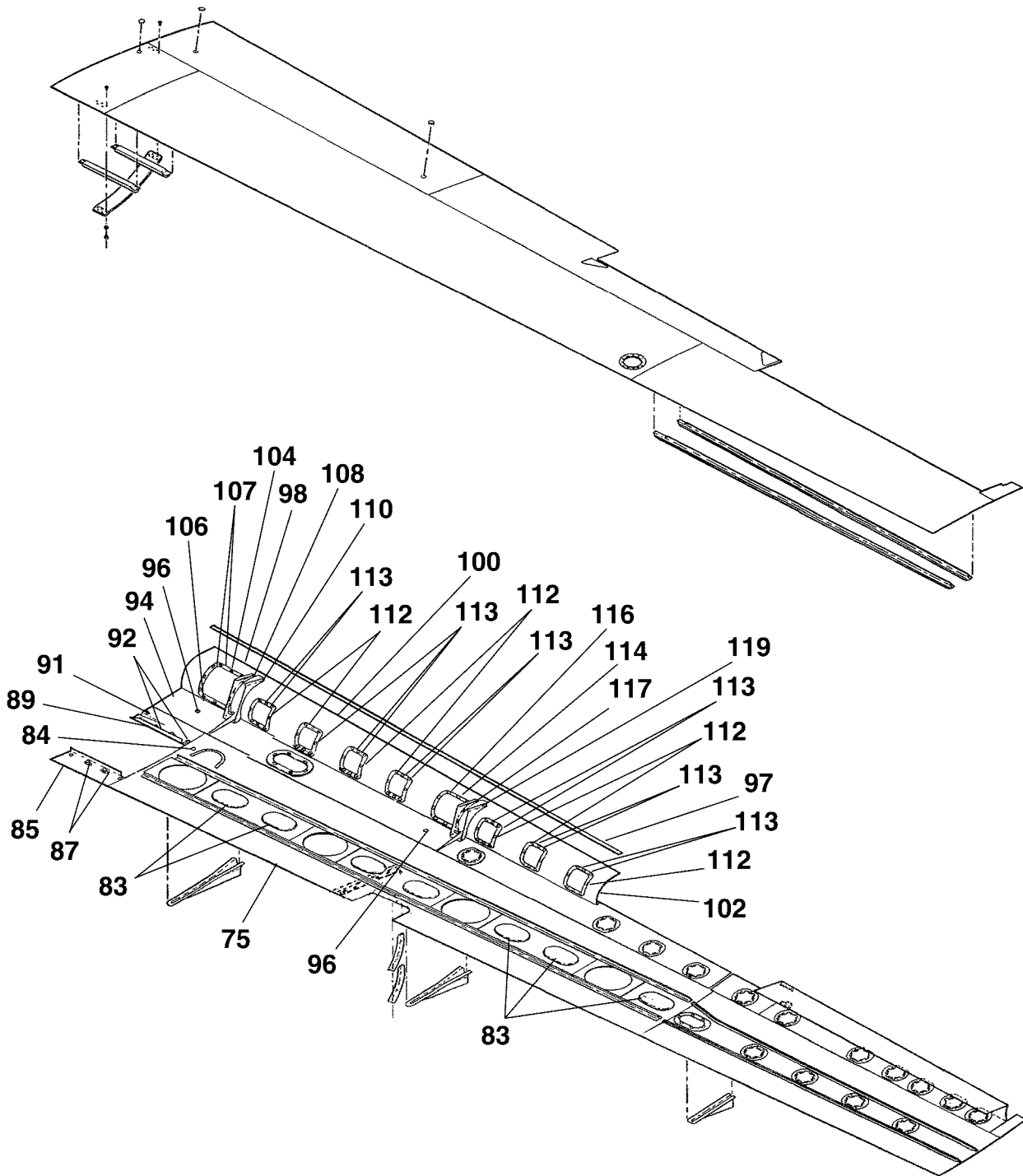
**CESSNA®  
MODEL 208  
ILLUSTRATED PARTS CATALOG**

FIG ITEM	PART NUMBER	NOMENCLATURE	UNITS PER ASSY	
			1 2 3 4 5 6 7	
01		WING SKINS AND COMPONENTS		RF
-				
1	2622000-3	. SKIN-WING UPR LH .040 2024 T42		01
- 2	2622000-4	. SKIN-WING UPR RH .040 2024 T42	0001 0154 0244 & ON B0001 B0181 B0466 & ON 0155 0245 B0182 B0465	01
- 2A	2622000-114	. SKIN-WING UPR RH .040 2024 T42 FSO 2622000-4		NP
- 3		. DELETE NEVER USED		RF
4	2622000-25	. STRINGER-UPR FWD LH CM2974-4		01
- 5	2622000-26	. STRINGER-UPR FWD RH CM2974-4		01
6	2622000-27	. STRINGER-UPR AFT LH CM2974-4		01
- 7	2622000-28	. STRINGER-UPR AFT RH CM2974-4		01
8	2622242-1	. STRAP-LH .100 2024 T42		01
- 9	2622242-2	. STRAP-RH .100 2024 T42		01
		ATTACHING PARTS		
10	AN525-10R14	. SCREW FWD		05
11	AN525-10R12	. SCREW AFT		05
12	NAS1149F0332P	. WASHER		10
13	MS21044N3	. NUT		10
		—*—		
14	2622000-47	. SKIN ASSY-WING UPR LH .032 2024 T3		01
- 15	2622000-48	. SKIN ASSY-WING UPR RH .032 2024 T3		01
16	MS21047L3	. NUTPLATE		12
17	CM2692-24J1B	. PLUG BUTTON		03
18	2622000-13	. SKIN-WING UPR LH .020 2024 T42		01
- 19	2622000-14	. SKIN-WING UPR RH .020 2024 T42		01
20	2622000-17	. SKIN-WING UPR LH .020 2024 T42		01
- 21	2622000-18	. SKIN-WING UPR RH .020 2024 T42		01
22	2622000-83	. GUSSET .040 2024 T42		01
23	2622000-70	. GUSSET .040 2024 T42		01
24	2622000-9	. SKIN-WING UPR LH .020 2024 T42		01
- 25	2622000-10	. SKIN-WING UPR RH .020 2024 T42		01
26	2622000-37	. STRINGER-UPR FWD LH S1662-1		01
- 27	2622000-38	. STRINGER-UPR FWD RH S1662-1		01
28	2622000-41	. STRINGER-UPR AFT LH S1662-1		01
- 29	2622000-42	. STRINGER-UPR AFT RH S1662-1		01
30	2622000-23	. SKIN-WING UPR LH .020 2024 T3		01
- 31	2622000-55	. SKIN-WING UPR RH .020 2024 T3		01
		ATTACHING PARTS		
- 32	AN525-10R7	. SCREW RH ONLY		02
		—*—		

- ITEM NOT ILLUSTRATED

CESSNA®  
**MODEL 208**  
ILLUSTRATED PARTS CATALOG

A24619



26203002

WING SKINS AND COMPONENTS  
FIGURE 01 (SHEET 2)

**CESSNA®**  
**MODEL 208**  
**ILLUSTRATED PARTS CATALOG**

FIG ITEM	PART NUMBER	NOMENCLATURE	UNITS PER ASSY		
			1	2	3
01					
75	2622000-49	. SKIN ASSY-WING LWR LH .040 2024 T3	0001	0064	01
- 76	2622000-50	. SKIN ASSY-WING LWR RH .040 2024 T3	0001	0064	01
- 77	2622000-90	. SKIN ASSY-WING LWR LH .040 2024 T3 REFER TO NOTE 1	0065	0130	01
			B0001	0089	
- 78	2622000-91	. SKIN ASSY-WING LWR RH .040 2024 T3 REFER TO NOTE	0065	0130	01
			B0001	0089	
- 79	2622000-107	. SKIN ASSY-WING LWR LH .040 2024 T3 FSO 2622000-115 REFER TO NOTE 2.	0131	0203	NP
			B0090	B0267	
- 80	2622000-108	. SKIN ASSY-WING LWR RH .040 2024 T3 FSO 2622000-116 REFER TO NOTE 2.	0131	0203	NP
			B0090	B0267	
- 81	2622000-115	. SKIN ASSY-WING LWR LH .040 2024 T3	0204	0667	01
			B0268	B5616	
- 81A	2622000-127	. SKIN ASSY-WING LWR LH .040 2024 T3	0668	& ON	01 R
			B5617	& ON	
- 82	2622000-116	. SKIN ASSY-WING LWR RH .040 2024 T3	0204	0667	01 R
			B0268	B5616	
- 82A	2622000-128	. SKIN ASSY-WING LWR RH .040 2024 T3	0668	& ON	01 R
			B5617	& ON	
83	6511166-50	. . DOOR ASSY-ACCESS .050 2024 T3 REFER TO NOTE 1	0065	0130	07
			B0001	0089	
84	2622263-203	. . DOUBLER .032 2024 T3 REFER TO NOTE 3	0131	& ON	01
			B0090	& ON	
85	2622144-13	. SKIN ASSY-WING LWR FWD LH .040 2024 T42			01
- 86	2622144-14	. SKIN ASSY-WING LWR FWD RH .040 2024 T42			01
	S2319-30	. . RECEPTICAL			02
- 88	S2319-40	. . SHIM ASSY			02
89	2622144-9	. SKIN ASSY-WING LWR AFT LH .040 2024 T42			01
- 90	2622144-10	. SKIN ASSY-WING LWR AFT RH .040 2024 T42			01
91	NAS682A3	. . NUTPLATE			01
92	S2319-30	. . RECEPTICAL			02
- 93	S2319-40	. . SHIM			02
94	2622000-69	. SKIN-WING LWR LH .020 2024 T42			01
- 95	2622000-87	. SKIN-WING LWR RH .020 2024 T3			01
96	CM2692-24J1B	. PLUG BUTTON			02
97	2622000-67	. STIFFENER-TRAILING EDGE .063 2024 T3			01
98	2622000-95	. SKIN-COVE INBD LH .020 2024 T42			01
- 99	2622000-94	. SKIN-COVE INBD RH .020 2024 T42			01
100	2622000-93	. SKIN-COVE CTR LH .020 2024 T42			01
- 101	2622000-92	. SKIN-COVE CTR RH .020 2024 T42			01
102	2622000-59	. SKIN-COVE OUTBD LH .020 2024 T42			01
- 103	2622000-60	. SKIN-COVE OUTBD RH .020 2024 T42			01
104	2622236-3	. DOUBLER-LH .020 2024 T42			01
- 105	2622236-4	. DOUBLER-RH .020 2024 T42			01
106	MS21061L08K	. . NUTPLATE			01
107	MS21059L08K	. . NUTPLATE			11
108	2622230-1	. RIB-LH INBD WS 51.35 .020 2024 T42			01
- 109	2622230-2	. RIB-RH INBD WS 51.35 .020 2024 T42			01
110	2622230-3	. RIB-LH OUTBD WS 54.96 .020 2024 T42			01
- 111	2622230-4	. RIB-RH OUTBD WS 54.96 .020 2024 T42			01
112	2622235-2	. DOUBLER .020 2024 T42			07
113	MS21059L08K	. . NUTPLATE			56
114	2622237-3	. DOUBLER-LH .020 2024 T42			01
- 115	2622237-4	. DOUBLER-RH .020 2024 T42			01
116	MS21059L08K	. . NUTPLATE			10
117	2622230-5	. RIB-LH INBD WS 124.85 .020 2024 T42			01
- 118	2622230-6	. RIB-RH INBD WS 124.85 .020 2024 T42			01
119	2622230-7	. RIB-LH OUTBD WS 128.46 .020 2024 T42			01
- 120	2622230-8	. RIB-RH OUTBD WS 128.46 .020 2024 T42			01

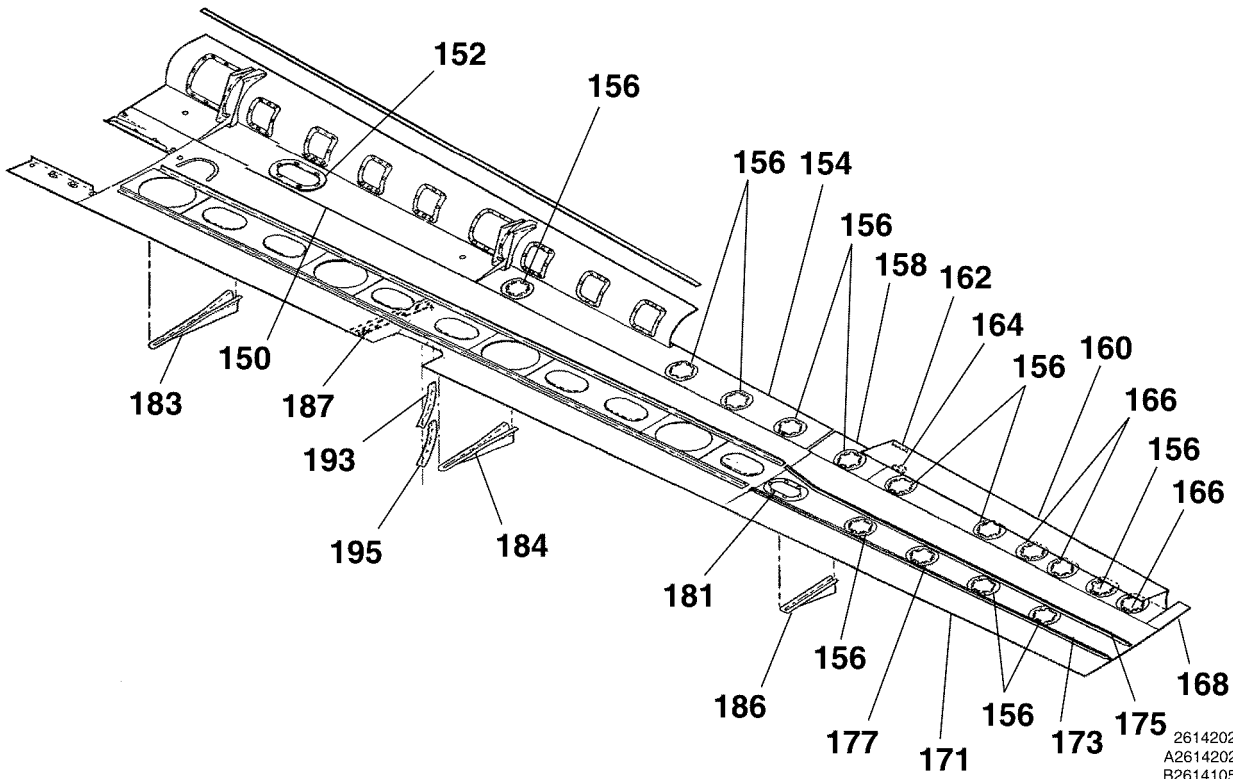
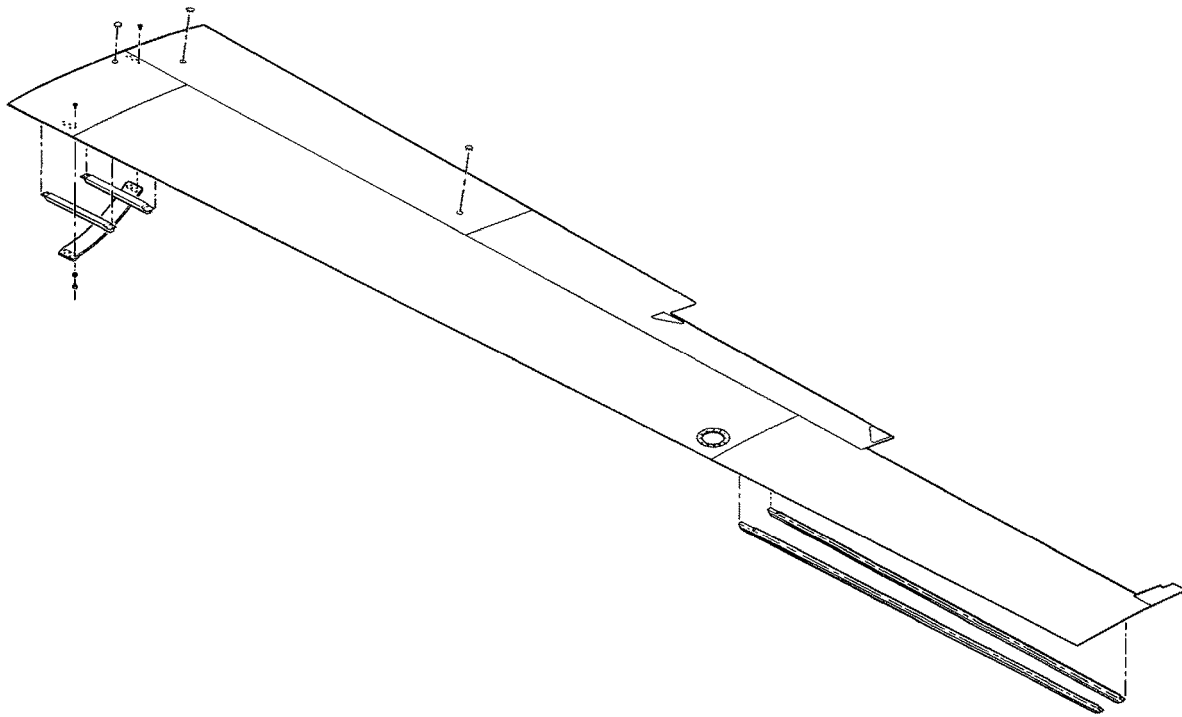
NOTE 1—AIRPLANES -0065 THRU -0130 AND -B0001 THRU -B0089 NOT INCORPORATING SK208-52.

NOTE 2—AIRPLANES -0131 THRU -0203 AND -B0090 THRU -B0267, AND AIRPLANES -0065 THRU -0130 AND -B0001 THRU -B0089 INCORPORATING SK208-52.

NOTE 3—AIRPLANES -0131 & ON AND B0090 & ON, AND AIRPLANES -0065 THRU -0130 AND B0001 THRU B0089 INCORPORATING SK208-52.

CESSNA®  
**MODEL 208**  
ILLUSTRATED PARTS CATALOG

A24620



26142028  
A26142029  
B26141058

WING SKINS AND COMPONENTS  
FIGURE 01 (SHEET 3)

**CESSNA®**  
**MODEL 208**  
**ILLUSTRATED PARTS CATALOG**

FIG ITEM	PART NUMBER	NOMENCLATURE	UNITS	
			PER	ASSY
01				
150	2622000-111	. SKIN-WING LWR LH .020 2024 T3 . . . . .		01
- 151	2622000-112	. SKIN-WING LWR RH .020 2024 T3 . . . . .		01
152	1221093-1	. DOUBLER ASSY . . . . .		01
- 153	NAS681A3K	. . NUTPLATE . . . . .		06
154	2622000-99	. SKIN-WING LWR LH .020 2024 T3 . . . . .		01
- 155	2622000-100	. SKIN-WING LWR RH .020 2024 T3 . . . . .		01
156	S1443-5S	. DOUBLER ASSY . . . . .		11
- 157	S3429-2A	. . NUTPLATE . . . . .		06
158	2622000-68	. SKIN-WING LWR LH .020 2024 T42 . . . . .		01
- 159	2622000-86	. SKIN-WING LWR RH .020 2024 T3 . . . . .		01
160	2622000-21	. SKIN-TRAILING EDGE LH .020 2024 T42 . . . . .		01
- 161	2622000-22	. SKIN-TRAILING EDGE RH .020 2024 T42 . . . . .		01
162	2622238-1	. DOUBLER-SKIN UPR LH .025 23024 T42 . . . . .		01
- 163	2622238-2	. DOUBLER-SKIN UPR RH .025 2024 T42 . . . . .		01
164	2622238-3	. DOUBLER-SKIN LWR LH .025 2024 T42 . . . . .		01
- 165	2622238-4	. DOUBLER-SKIN LWR RH .025 2024 T42 . . . . .		01
166	S1443-5S	. DOUBLER ASSY RH WING ONLY . . . . .		03
- 167	S3429-2A	. . NUTPLATE . . . . .		06
168	2622000-24	. SKIN-WING LWR LH .020 2024 T3 . . . . .		01
- 169	2622000-56	. SKIN-WING LWR RH .020 2024 T3 . . . . .		01
		ATTACHING PARTS		
- 170	AN525-10R7	. SCREW RH ONLY . . . . .		02
		—*—		
171	2622000-11	. SKIN-WING LWR LH .020 2024 T42 . . . . .		01
- 172	2622000-12	. SKIN-WING LWR RH .020 2024 T42 . . . . .		01
173	2622000-39	. STRINGER-LWR FWD LH S282 . . . . .		01
- 174	2622000-40	. STRINGER-LWR FWD RH S282 . . . . .		01
175	2622000-43	. STRINGER-LWR AFT LH S282 . . . . .		01
- 176	2622000-44	. STRINGER-LWR AFT RH S282 . . . . .		01
177	S1443-5S	. DOUBLER ASSY LH ONLY . . . . .		01
- 178	S3429-2A	. . NUTPLATE . . . . .		06
- 179	S1443-7S	. DOUBLER ASSY RH ONLY . . . . .	0001 0331	01
			B0001 B0866	
- 179A	S1443-8S	. DOUBLER ASSY RH ONLY . . . . .	0332 0395	01
			B0867 B1999	
- 179B	S1443-9S	. DOUBLER ASSY RH ONLY . . . . .	B2000 & ON	01 R
- 180	MS21047L08	. . NUTPLATE . . . . .	0001 0331	06
			B0001 B0866	
- 180A	MS21048L08K	. . NUTPLATE . . . . .	0332 & ON	06
			B0867 & ON	
181	2622211-2	. DOUBLER ASSY .025 2024 T42 . . . . .		01
- 182	S3429-2A	. . NUTPLATE . . . . .		06
183	2622163-1	. FAIRING-FLAP TRACK SUPPORT .040 2024 T42 . . . . .		01
184	2622163-2	. FAIRING-FLAP TRACK SUPPORT .040 2024 T42 REFER TO NOTE 1 . . . . .	0001 0164	01
			B0001 B0194	
- 185	2622276-1	. FAIRING-FLAP TRACK SUPPORT .040 2024 T42 REFER TO NOTE 2 . . . . .	0165 & ON	01
			B0195 & ON	
186	2622163-3	. FAIRING-FLAP TRACK SUPPORT .040 2024 T42 . . . . .		01
187	2621012-45	. SUPPORT ASSY-STRUT CUFF LH .020 2024 T42 . . . . .	0001 0114	01
			B0001 B0029	
- 188	2621012-51	. SUPPORT ASSY-STRUT CUFF LH .020 2024 T42 FSO 2621012-63 . . . . .	0115 0272	NP
			B0030 B0638	
- 188A	2621012-63	. SUPPORT ASSY-STRUT CUFF LH .020 2024 T42 . . . . .	0273 & ON	01
			B0639 & ON	
- 189	2621012-44	. SUPPORT ASSY-STRUT CUFF RH .020 2024 T42 . . . . .	0001 0114	01
			B0001 B0029	
- 190	2621012-50	. SUPPORT ASSY-STRUT CUFF RH .020 2024 T42 FSO 2621012-64 . . . . .	0115 0272	NP
			B0030 B0638	
- 190A	2621012-64	. SUPPORT ASSY-STRUT CUFF RH .020 2024 T42 . . . . .	0273 & ON	01
			B0639 & ON	
- 191	MS21049L08K	. . NUTPLATE . . . . .	0001 0114	06
			B0001 B0029	
- 192	MS21047L08K	. . NUTPLATE . . . . .	0115 & ON	06
			B0030 & ON	
193	2621012-29	. ANGLE-WING STRUT FAIRING LH .020 2024 T42 . . . . .		01
- 194	2621012-30	. ANGLE-WING STRUT FAIRING RH .020 2024 T42 . . . . .		01
195	2621012-35	. ANGLE-WING STRUT FAIRING LH .020 2024 T42 . . . . .		01
- 196	2621012-36	. ANGLE-WING STRUT FAIRING RH .020 2024 T42 . . . . .		01

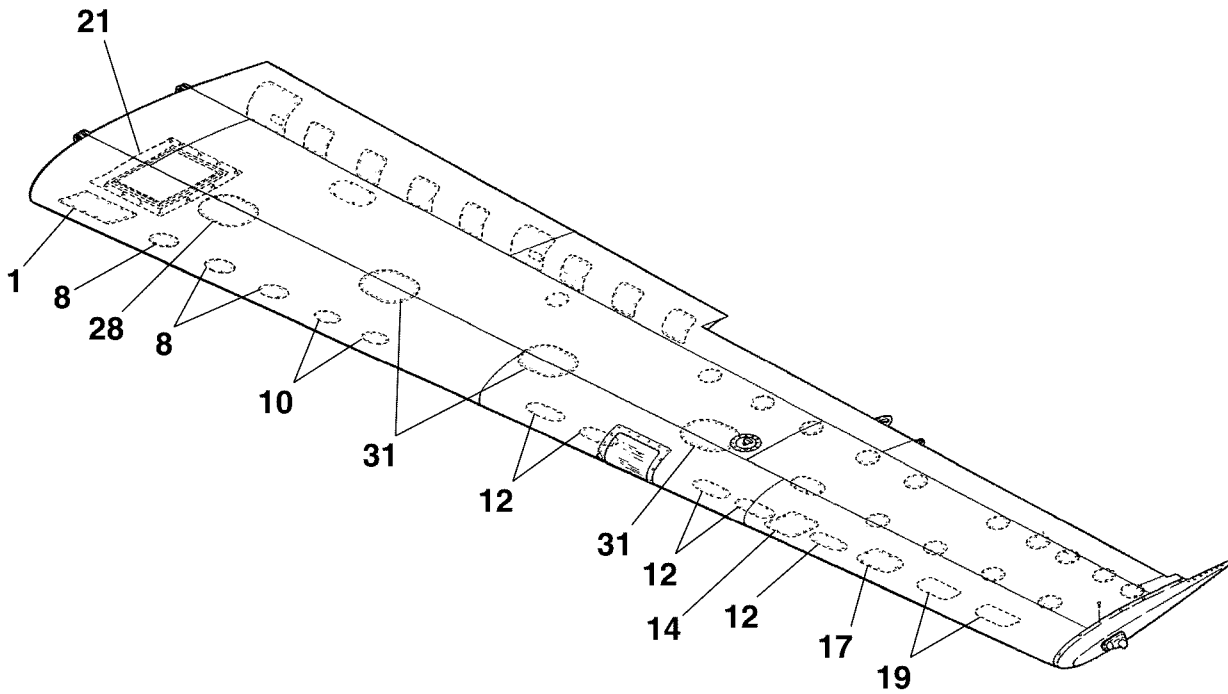
NOTE 1—AIRPLANES -0001 THRU -0164 AND -B0001 THRU -B0194 NOT INCORPORATING SK208-71.

NOTE 2—AIRPLANES -0165 AND ON AND -B0195 AND ON, AND AIRPLANES -0001 THRU -0164 AND -B0001 THRU -B0194 INCORPORATING SK208-71.

- ITEM NOT ILLUSTRATED

CESSNA®  
**MODEL 208**  
ILLUSTRATED PARTS CATALOG

A24621



26203003

ACCESS PANELS - WING  
FIGURE 01 (SHEET 1)



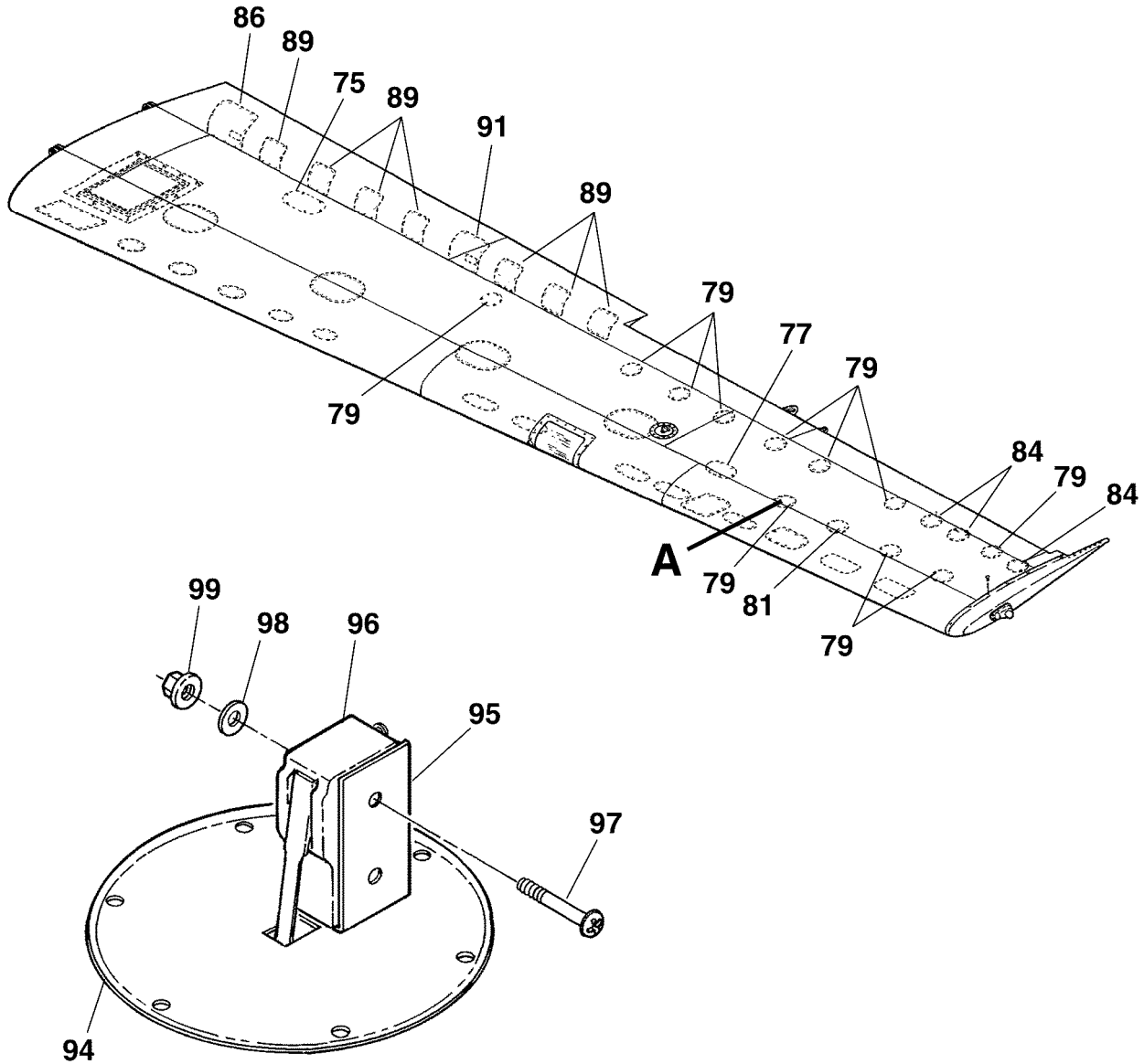
**CESSNA®**  
**MODEL 208**  
**ILLUSTRATED PARTS CATALOG**

FIG ITEM	PART NUMBER	NOMENCLATURE	UNITS	
			PER	ASSY
01		ACCESS PANELS - WING		RF
-				
1	2622224-1	. COVER-LH ACCESS .032 2024 T42		01
- 2	2622224-11	. COVER-LH ACCESS	0227	& ON 01
- 3		. COVER-ACCESS LH WITH COURTESY LIGHT INSTL REFER TO 57-11-00 FIGURE 01.		RF
- 4	2622224-2	. COVER-RH ACCESS .032 2024 T42		01
- 5	2622224-12	. COVER-RH ACCESS	0227	& ON 01
- 6		. COVER-ACCESS RH WITH COURTESY LIGHT INSTL REFER TO 33-44-00 FIGURE 01.		RF
- 7	MS24694-S49	. ATTACHING PARTS SCREW ALT FOR AN509-10-7		14
		—*—		
8	S225-6S	. PLATE-ACCESS		03
		. ATTACHING PARTS		
- 9	MS24693-S50	. SCREW		06
		—*—		
10	S225-20S	. PLATE-ACCESS		02
		. ATTACHING PARTS		
- 11	S1022Z8-6	. SCREW		06 R
		—*—		
12	2622193-1	. COVER-ACCESS .025 2024 T42		05
		. ATTACHING PARTS		
- 13	S1022Z8-6	. SCREW		06
		—*—		
14	2622192-1	. COVER-LH ACCESS .032 2024 T42	0001	& ON 01
			B0001	B2133
			B2135	& ON
			B2134	B2134
- 14A	DDA06030-1	. COVER-LH ACCESS REF 2622192		01
- 15	2622192-2	. COVER-RH ACCESS .032 2024 T42		01
		. ATTACHING PARTS		
- 16	MS24694-S50	. SCREW ALT FOR AN509-10-8		12
		—*—		
17	2622193-2	. COVER-ACCESS .025 2024 T42		01
		. ATTACHING PARTS		
- 18	S1022Z8-6	. SCREW		08
		—*—		
19	2622193-3	. COVER-ACCESS .025 2024 T42		02
		. ATTACHING PARTS		
- 20	S1022Z8-6	. SCREW		08
		—*—		
21	2622220-1	. DOOR ASSY-LH WING		01
- 22	2622220-2	. DOOR ASSY-RH WING		01
- 23	S3413-104	. FASTENER		07
- 24	S3413-105	. FASTENER		04
- 25	S3413-106	. FASTENER		01
- 25A	S3413-107	. FASTENER		01
- 26	S2319-61	. GROMMET		11
- 27	CM2791-1	. SNAP RING		11
28	2622231-1	. COVER ASSY-ACCESS .040 2024 T42 REFER TO NOTE 1	0001	0130 01
			B0001	B0089
		. ATTACHING PARTS		
- 29	AN525-10R8	. SCREW REFER TO NOTE 1	0001	0130 22
			B0001	B0089
		—*—		
- 30	MS21047L3	. NUTPLATE REFER TO NOTE 1	0001	0130 22
			B0001	B0089
31	2622231-1	. COVER ASSY-ACCESS		03
		. ATTACHING PARTS		
- 32	AN525-10R8	. SCREW		22
		—*—		
- 33	MS21047L3	. NUTPLATE		22

NOTE 1—AIRPLANES -0001 THRU -0130 AND -B0001 THRU -B0089 NOT INCORPORATING SK208-52.

CESSNA®  
**MODEL 208**  
ILLUSTRATED PARTS CATALOG

A24594



**DETAIL A**

ACCESS PANELS - WING  
FIGURE 01 (SHEET 2)

26203003  
A26181006

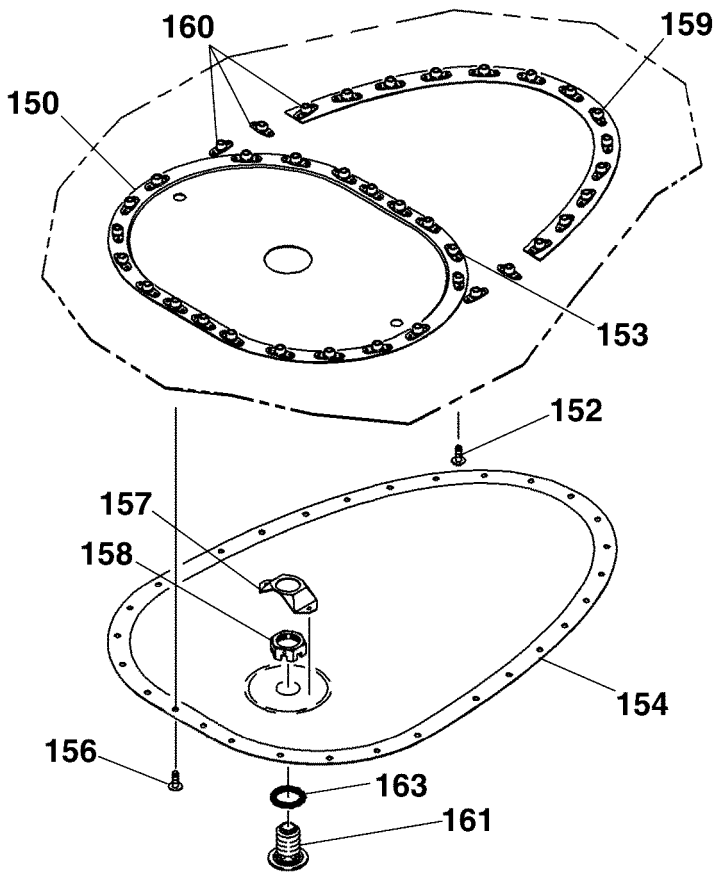
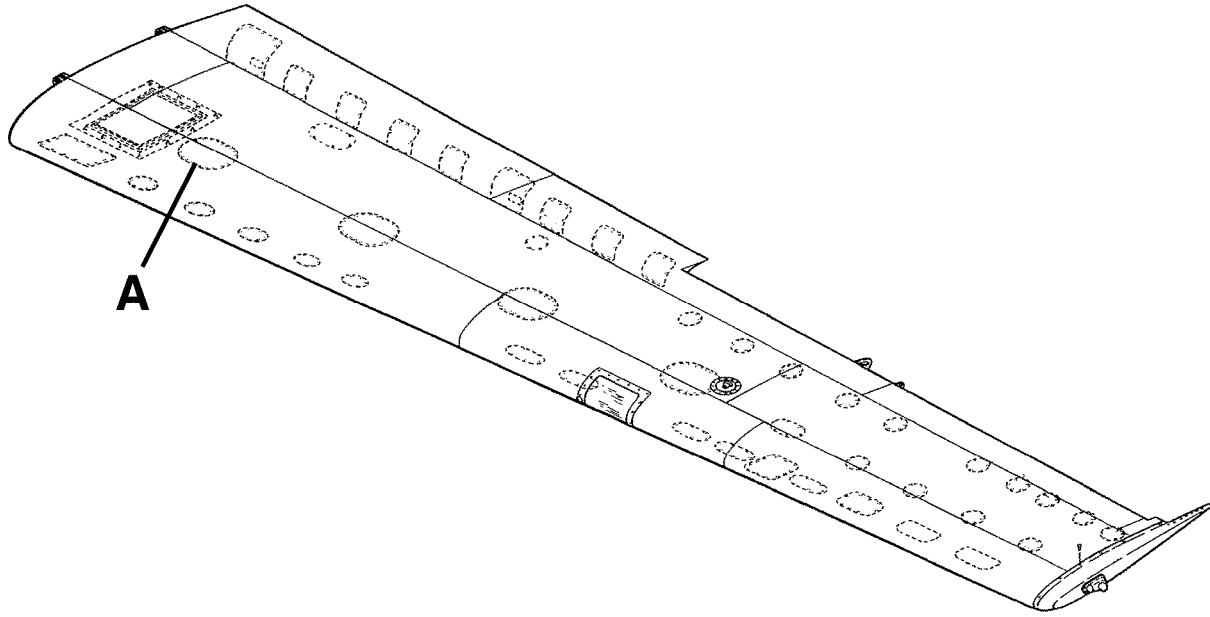
**CESSNA®**  
**MODEL 208**  
**ILLUSTRATED PARTS CATALOG**

FIG ITEM	PART NUMBER	1 2 3 4 5 6 7	NOMENCLATURE	UNITS PER ASSY	
01					
75	1221093-3		. DOOR . . . . .		01
			. ATTACHING PARTS . . . . .		
- 76	AN509-10R7		. SCREW . . . . .		06
- 76A	MS24694-S49		. SCREW ALT FOR AN509-10R7 . . . . .		06
			—*—		
77	2622211-1		. COVER-ACCESS .025 2024 T42 . . . . .		01
			. ATTACHING PARTS . . . . .		
- 78	S1022Z8-6		. SCREW . . . . .		06
			—*—		
79	S225-21S		. PLATE-ACCESS . . . . .		11
			. ATTACHING PARTS . . . . .		
- 80	S1022Z8-6		. SCREW . . . . .		06
			—*—		
81	S225-21S		. PLATE-ACCESS . . . . .		01
			. ATTACHING PARTS . . . . .		
- 82	S1022Z8-6		. SCREW LH ONLY . . . . .		06
- 83	MS24693BB50		. SCREW RH ONLY . . . . .		06
			—*—		
84	S225-21S		. PLATE-ACCESS RH ONLY . . . . .		03
			. ATTACHING PARTS . . . . .		
- 85	S1022Z8-6		. SCREW . . . . .		06
			—*—		
86	2622236-1		. COVER-ACCESS LH . . . . .	0001 0108	01
				B0001 B0008	
- 86A	2622236-5		. COVER-ACCESS LH . . . . .	0109 0667	01
				B0009 B5599	
- 86B	2622236-7		. COVER-ACCESS LH . . . . .	0668 & ON	01
				B5600 & ON	
- 87	2622236-2		. COVER-ACCESS RH . . . . .	0001 0108	01
				B0001 B0008	
- 87A	2622236-6		. COVER-ACCESS RH . . . . .	0109 0667	01
				B0009 B5599	
- 87B	2622236-8		. COVER-ACCESS RH . . . . .	0668 & ON	01
				B5600 & ON	
			. ATTACHING PARTS . . . . .		
- 88	MS24694-S4		. SCREW . . . . .		12
			—*—		
89	2622235-1		. COVER-ACCESS .020 2024 T42 . . . . .		07
			. ATTACHING PARTS . . . . .		
- 90	MS24694-S4		. SCREW . . . . .		08
			—*—		
91	2622237-1		. COVER-ACCESS LH .020 2024 T42 . . . . .		01
- 92	2622237-2		. COVER-ACCESS RH .020 2024 T42 . . . . .		01
			. ATTACHING PARTS . . . . .		
- 93	MS24694-S4		. SCREW . . . . .		10
			—*—		
94	2622254-1		. ACCESS COVER ASSY USED WITH HOURMETER SWITCH . . . . .	0057 04999	01
				B0087 B1999	
95	2622255-1		. BRACKET-HOURMETER SWITCH . . . . .	0057 04999	01
				B0087 B1999	
96	BZ2RW855511T		. SWITCH-HOURMETER . . . . .	V91929 0057 04999	01
				B0087 B1999	
			. ATTACHING PARTS . . . . .		
97	MS35206-249		. SCREW . . . . .		02
98	NAS1149FN832P		. WASHER . . . . .		02
99	MS21042L08		. NUT . . . . .		02
			—*—		

- ITEM NOT ILLUSTRATED

CESSNA®  
**MODEL 208**  
ILLUSTRATED PARTS CATALOG

A24595



**DETAIL A**

ACCESS PANELS - WING  
FIGURE 01 (SHEET 3)

26203003  
A2626T1010

**CESSNA®**  
**MODEL 208**  
**ILLUSTRATED PARTS CATALOG**

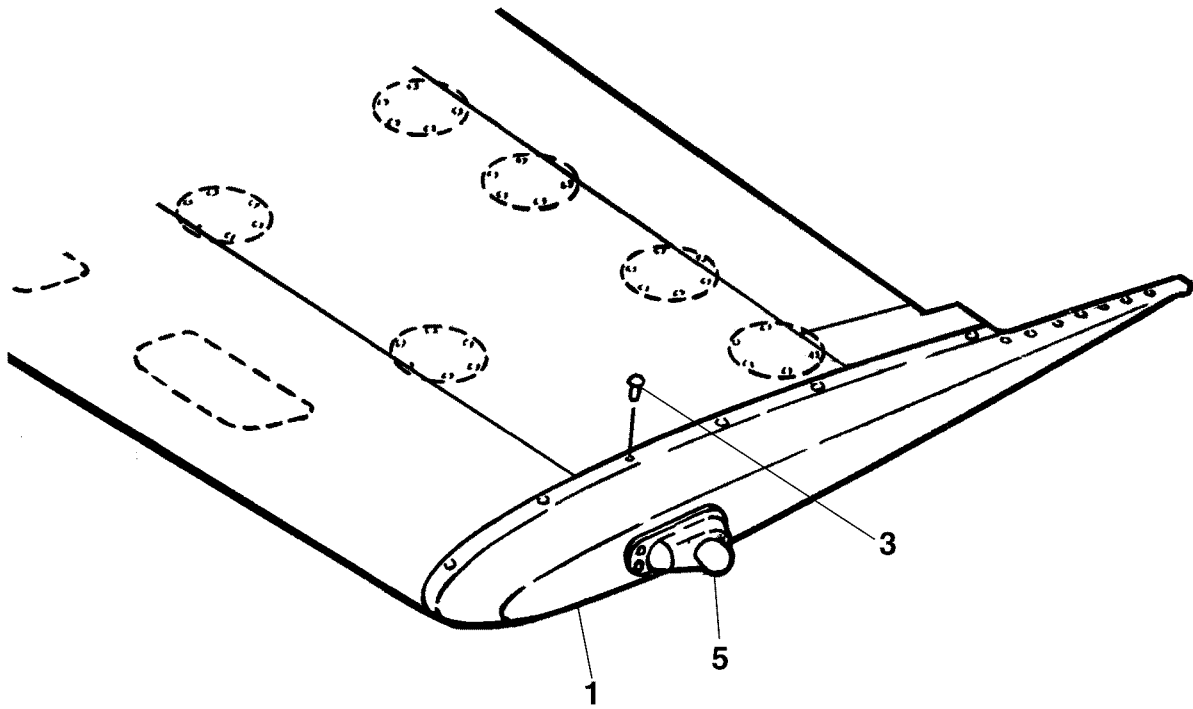
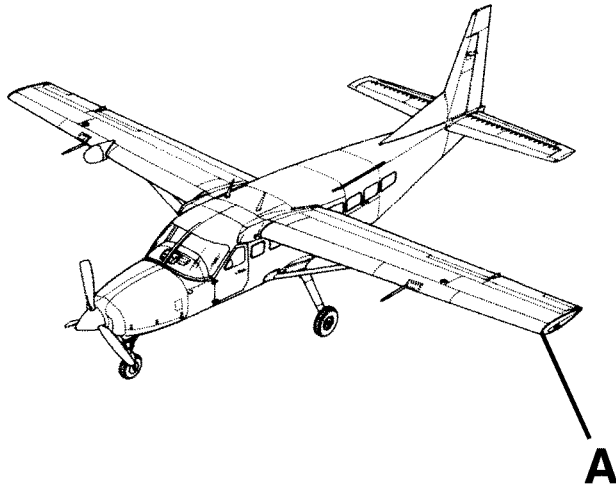
FIG ITEM	PART NUMBER	NOMENCLATURE	UNITS PER ASSY		
			1	2	3
01					
150	2622231-3	. COVER ASSY-ACCESS REFER TO NOTE 1 . . . . .	0131	0203	01
- 151	2622231-5	. COVER ASSY-ACCESS . . . . .	B0090	B0267	
		ATTACHING PARTS	0204	& ON	01
			B0268	& ON	
152	AN525-10R8	. SCREW REFER TO NOTE 2 . . . . .	0131	& ON	08
		ATTACHING PARTS	B0090	& ON	
		—*—			
153	MS21047L3	. . . NUTPLATE REFER TO NOTE 2 . . . . .	0131	& ON	20
			B0090	& ON	
154	2622263-1	. . . SUMP ASSY REFER TO NOTE 1 . . . . .	0131	0203	01
			B0090	B0267	
- 155	2622263-4	. . . SUMP ASSY . . . . .	0204	& ON	01
			B0268	& ON	
		ATTACHING PARTS			
156	AN525-10R8	. . . SCREW REFER TO NOTE 2 . . . . .	0131	& ON	29
			B0090	& ON	
		—*—			
157	1006C	. . . RETAINER REFER TO NOTE 2 . . . . . V91511	0131	& ON	01
			B0090	& ON	
158	856B	. . . NUT REFER TO NOTE 2 . . . . . V91511	0131	& ON	01
			B0090	& ON	
159	MS21047L3	. . . NUTPLATE REFER TO NOTE 2 . . . . .	0131	& ON	11
			B0090	& ON	
160	NAS682A3	. . . NUTPLATE REFER TO NOTE 2 . . . . .	0131	& ON	06
			B0090	& ON	
161	79C1	. . . DRAIN VALVE-FUEL REFER TO NOTE 2 . . . . . V91511	0131	& ON	01
			B0090	& ON	
- 162	2-010V835-75	. . . SEAL-INTERNAL REFER TO NOTE 2 . . . . .	0131	& ON	01
			B0090	& ON	
163	MS29513-020	. . . O-RING REFER TO NOTE 2 . . . . .	0131	& ON	01
			B0090	& ON	

NOTE 1—AIRPLANES -0131 THRU -0203 AND -B0090 THRU -B0267, AND AIRPLANES -0001 THRU -0130 AND -B0001 THRU -B0089 INCORPORATING SK208-52.

NOTE 2—AIRPLANES -0131 & ON AND -B0090 & ON, AND AIRPLANES -0001 THRU -0130 AND -B0001 THRU -B0089 INCORPORATING SK208-52.

CESSNA®  
**MODEL 208**  
ILLUSTRATED PARTS CATALOG

A24596



WING TIP INSTALLATION  
FIGURE 01 (SHEET 1)

26107002  
26203003

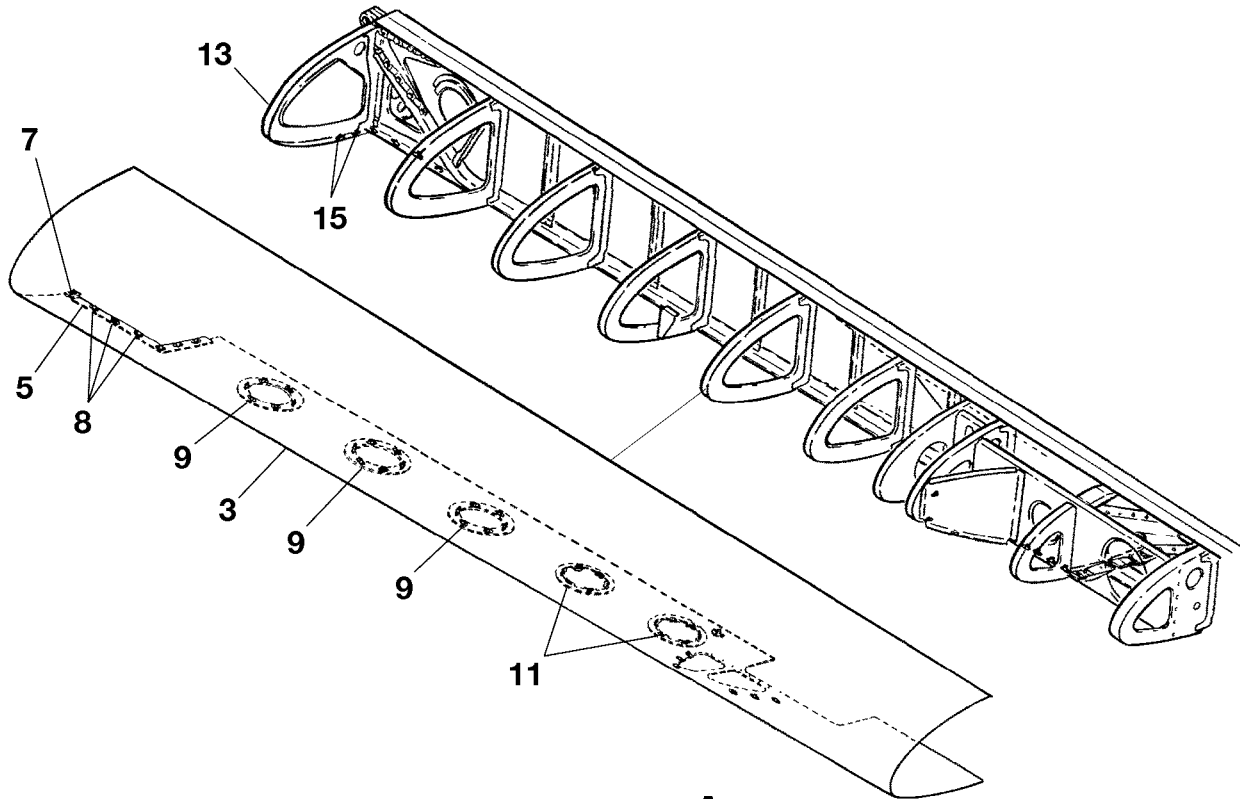
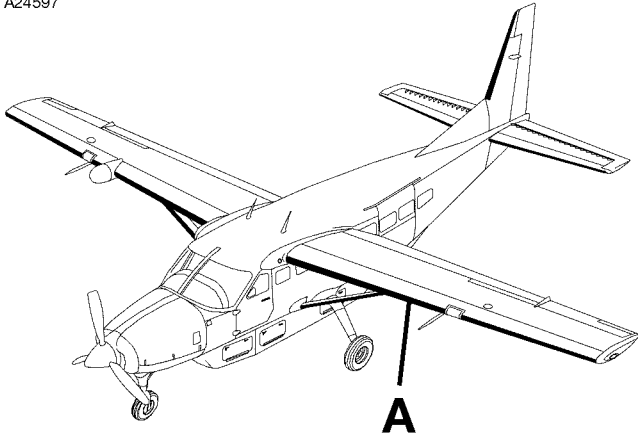
CESSNA®  
**MODEL 208**  
 ILLUSTRATED PARTS CATALOG

FIG ITEM	PART NUMBER	NOMENCLATURE	UNITS PER ASSY
	1 2 3 4 5 6 7		
01		WING TIP INSTALLATION	
-			RF
1	2620010-9	. TIP ASSY-WING LH .032 2024 T42 . . . . .	01
- 2	2620010-10	. TIP ASSY-WING RH .032 2024 T42 . . . . . ATTACHING PARTS	01
3	AN525-832R7	. SCREW . . . . .	11
- 4	NAS1329A06K75	. . RIVNUT . . . . .	04 R
5		. WING NAVIGATION & STROBE LIGHTS REFER TO 33-41-00 FIGURE 01 . .	RF R

- ITEM NOT ILLUSTRATED

CESSNA®  
**MODEL 208**  
ILLUSTRATED PARTS CATALOG

A24597



**DETAIL A**

2610T1031  
A2622R3001

WING LEADING EDGE ASSEMBLIES  
FIGURE 01 (SHEET 1)



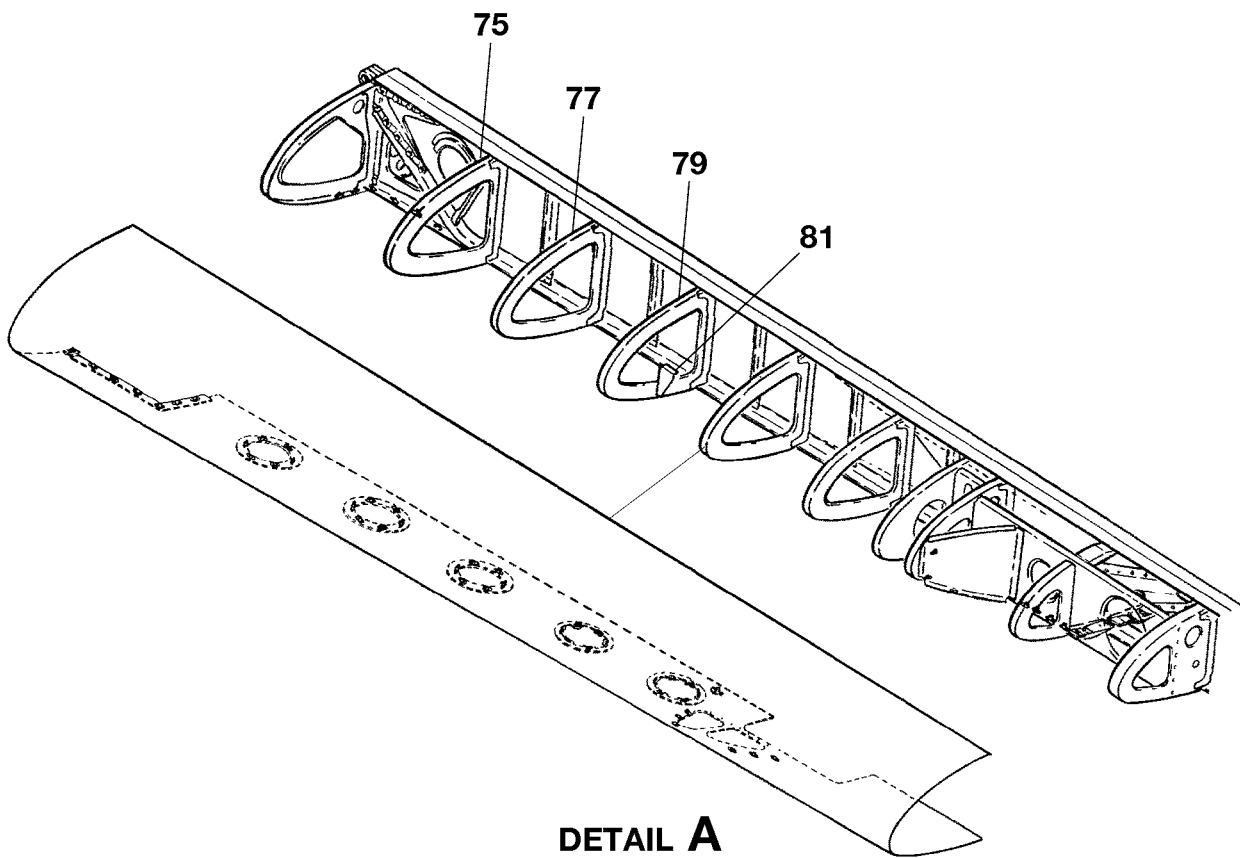
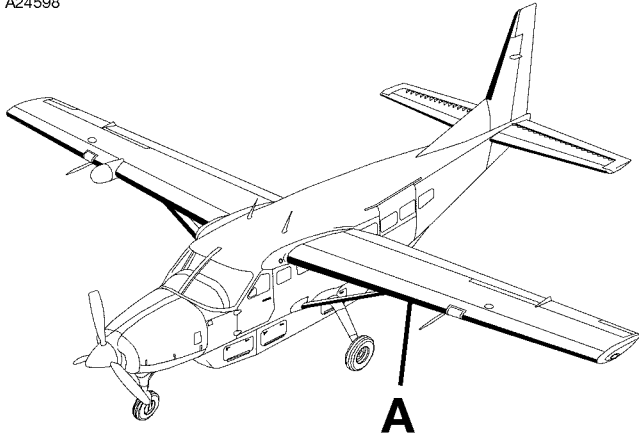
**CESSNA®**  
**MODEL 208**  
**ILLUSTRATED PARTS CATALOG**

FIG ITEM	PART NUMBER	NOMENCLATURE	UNITS	
			PER	ASSY
01		WING LEADING EDGE ASSEMBLIES		RF
-		. WING LEADING EDGE ASSEMBLY-INBD LH . . . . .	0001 0237	01
- 1	2622074-21	. WING LEADING EDGE ASSEMBLY-INBD LH . . . . .	B0001 B0399	
- 1A	2622074-55	. WING LEADING EDGE ASSEMBLY-INBD LH . . . . .	0238 0568	01
- 1B	2622077-5	. WING LEADING EDGE ASSEMBLY-INBD LH . . . . .	B0400 B5178	
- 2	2622074-22	. WING LEADING EDGE ASSEMBLY-INBD RH . . . . .	0569 & ON	01
- 2A	2622074-56	. WING LEADING EDGE ASSEMBLY-INBD RH . . . . .	B5179 & ON	
- 2B	2622077-6	. WING LEADING EDGE ASSEMBLY-INBD RH . . . . .	0001 0237	01
3	2622074-3	. SKIN-INBD LH . . . . .	B0001 B0399	
- 3A	2622074-31	. SKIN-INBD LH FSO 2622078-1 . . . . .	0238 0568	01
- 3B	2622078-1	. SKIN-INBD LH . . . . .	B0400 B5178	
- 4	2622074-4	. SKIN-INBD RH . . . . .	0569 & ON	01
- 4A	2622074-30	. SKIN-INBD RH FSO 2622078-2 . . . . .	B5179 & ON	
- 4B	2622078-2	. SKIN-INBD RH . . . . .	0001 0009	01
5	2622224-3	. DOUBLER ASSY-LH FSO 2622224-13 . . . . .	0010 0568	NP
- 5A	2622224-13	. DOUBLER ASSY-LH . . . . .	B0001 B5178	
- 6	2622224-4	. DOUBLER ASSY-RH FSO 2622224-14 . . . . .	0570 & ON	01
- 6A	2622224-14	. DOUBLER ASSY-RH . . . . .	B5178 & ON	
7	MS21047L3K	. . . NUTPLATE . . . . .	0001 0391	NP
- 7A	MS21047L3	. . . NUTPLATE . . . . .	B0001 B1125	
8	NAS681A3K	. . . NUTPLATE . . . . .	0392 & ON	01
- 8A	MS21049L3	. . . NUTPLATE . . . . .	B1126 & ON	
9	S1072-2	. . DOUBLER . . . . .	0001 0391	06
- 10	S3429-2A	. . NUTPLATE . . . . .	B0001 B1125	
11	S1443-2	. . DOUBLER . . . . .	0392 & ON	01
- 12	S3429-2A	. . NUTPLATE . . . . .	B1126 & ON	
13	2622151-1	. . RIB-LH WS 35.00 FSO 2622289-11 . . . . .	0001 0237	NP
- 13A	2622289-3	. . RIB-LH WS 35.00 FSO 2622289-11 . . . . .	B0001 B0399	
- 13B	2622289-9	. . RIB-LH WS 35.00 FSO 2622289-11 . . . . .	0238 0275	NP
- 13C	2622289-11	. . RIB-LH WS 35.00 . . . . .	B0400 B0667	
- 14	2622151-2	. . RIB-RH WS 35.00 FSO 2622289-12 . . . . .	0276 0568	NP
- 14A	2622289-4	. . RIB-RH WS 35.00 FSO 2622289-12 . . . . .	B0668 B5178	
- 14B	2622289-10	. . RIB-RH WS 35.00 FSO 2622289-12 . . . . .	0569 & ON	01
- 14C	2622289-12	. . RIB-RH WS 35.00 . . . . .	B5179 & ON	
15	NAS681A3	. . NUTPLATE . . . . .	0001 0237	NP
- 15A	MS21049L3	. . NUTPLATE EQU NAS681A3 . . . . .	B0001 B0399	

- ITEM NOT ILLUSTRATED

CESSNA®  
**MODEL 208**  
ILLUSTRATED PARTS CATALOG

A24598



2610T1031  
A26223001

WING LEADING EDGE ASSEMBLIES  
FIGURE 01 (SHEET 2)

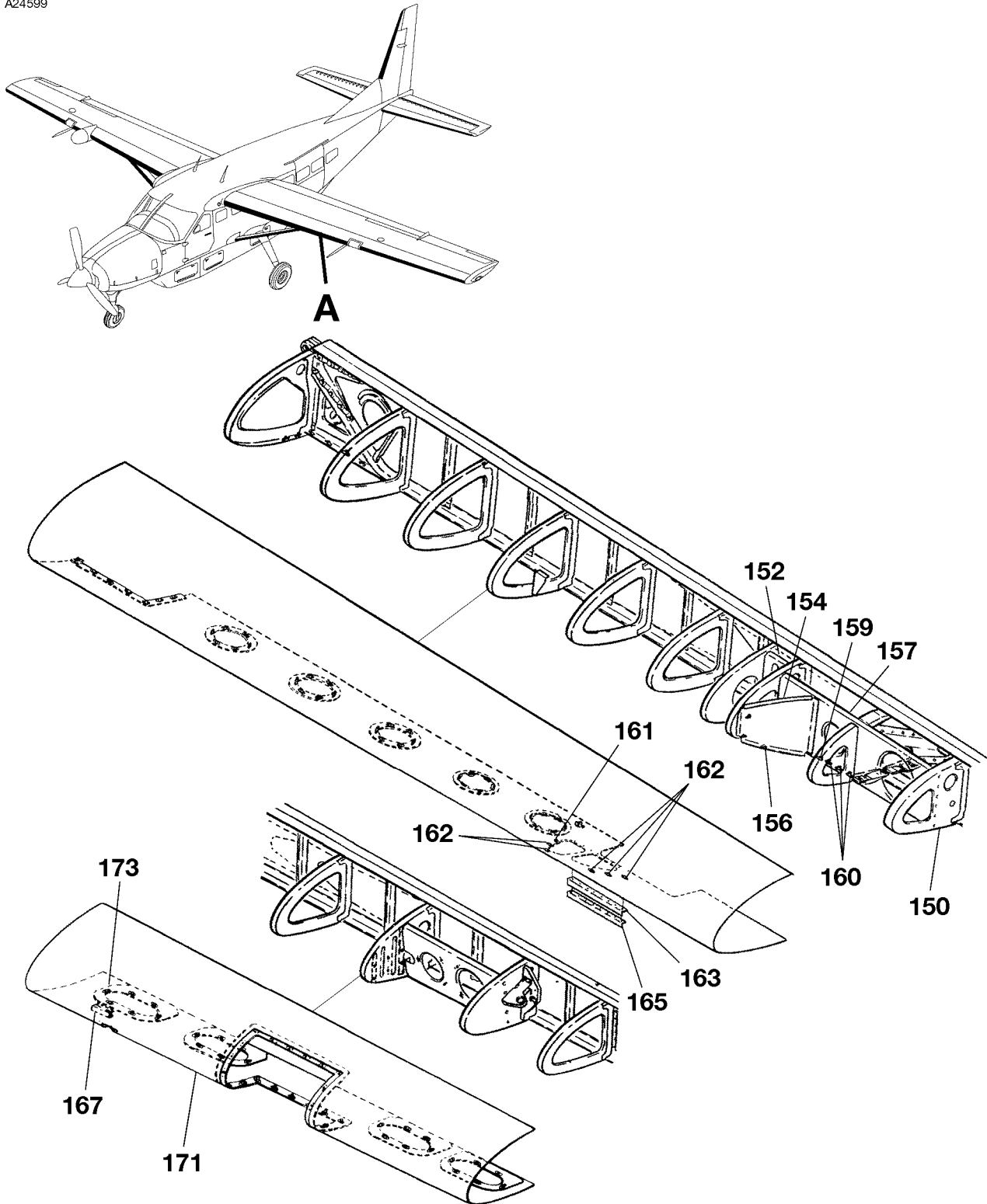
**CESSNA®  
MODEL 208  
ILLUSTRATED PARTS CATALOG**

FIG ITEM	PART NUMBER	1 2 3 4 5 6 7	NOMENCLATURE	UNITS PER ASSY		
01						
75	2622054-1		RIB-LH WS 53.00	0001	0131	01
- 75A	2622054-3		RIB-LH WS 53.00 FSO 2622290-7	B0001	B0054	
- 75B	2622290-1		RIB-LH WS 53.00 FSO 2622290-7	0132	0237	NP
- 75C	2622290-5		RIB-LH WS 53.00 FSO 2622290-7	B0055	B0399	
- 75D	2622290-7		RIB-LH WS 53.00	0238	0275	NP
- 76	2622054-2		RIB-RH WS 53.00	B0400	B0667	
- 76A	2622054-4		RIB-RH WS 53.00 FSO 2600090-8	0276	0568	NP
- 76B	2622290-2		RIB-RH WS 53.00 FSO 2600090-8	B0668	B5178	
- 76C	2622290-6		RIB-RH WS 53.00 FSO 2600090-8	0569	& ON	01
- 76D	2622290-8		RIB-RH WS 53.00	B5179	& ON	
77	2622051-1		RIB-LH WS 68.00	0001	0131	01
- 77A	2622051-3		RIB-LH WS 68.00 FSO 2622291-7	B0001	B0054	
- 77B	2622291-1		RIB-LH WS 68.00 FSO 2622291-7	0132	0237	NP
- 77C	2622291-5		RIB-LH WS 68.00 FSO 2622291-7	B0055	B0399	
- 77D	2622291-7		RIB-LH WS 68.00	0238	0275	NP
- 78	2622051-2		RIB-RH WS 68.00	B0400	B0667	
- 78A	2622051-4		RIB-RH WS 68.00 FSO 2622291-8	0276	0568	NP
- 78B	2622291-2		RIB-RH WS 68.00 FSO 2622291-8	B0668	B5178	
- 78C	2622291-6		RIB-RH WS 68.00 FSO 2622291-8	0569	& ON	01
- 78D	2622291-8		RIB-RH WS 68.00	B5179	& ON	
79	2622014-1		RIB-LH WS 83.00	0001	0131	01
- 79A	2622014-5		RIB-LH WS 83.00 FSO 2622292-11	B0001	B0054	
- 79B	2622292-3		RIB-LH WS 83.00 FSO 2622292-11	0132	0237	NP
- 79C	2622292-9		RIB-LH WS 83.00 FSO 2622292-11	B0055	B0399	
- 79D	2622292-11		RIB-LH WS 83.00	0238	0275	NP
- 80	2622014-2		RIB-RH WS 83.00	B0400	B0667	
- 80A	2622014-6		RIB-RH WS 83.00 FSO 2622292-12	0276	0568	NP
- 80B	2622292-4		RIB-RH WS 83.00 FSO 2622292-12	B0668	B5178	
- 80C	2622292-10		RIB-RH WS 83.00 FSO 2622292-12	0569	& ON	01
- 80D	2622292-12		RIB-RH WS 83.00	B5178	& ON	
81	2611165-25		BRACE-VENTILATION DUCT	0001	0131	01
- 82	MS35206-229		ATTACHING PARTS	B0001	B0054	
- 83	NAS1149FN616P		SCREW	0132	0237	NP
- 84	MS21044N06		WASHER	B0055	B0399	
			NUT	0238	0275	NP
			—*—	B0400	B0667	
				0276	0568	NP
				B0668	B5178	
				0569	& ON	01
				B5178	& ON	

- ITEM NOT ILLUSTRATED

CESSNA®  
**MODEL 208**  
ILLUSTRATED PARTS CATALOG

A24599



**DETAIL A**

WING LEADING EDGE ASSEMBLIES  
FIGURE 01 (SHEET 3)

2610T1031  
A26223001

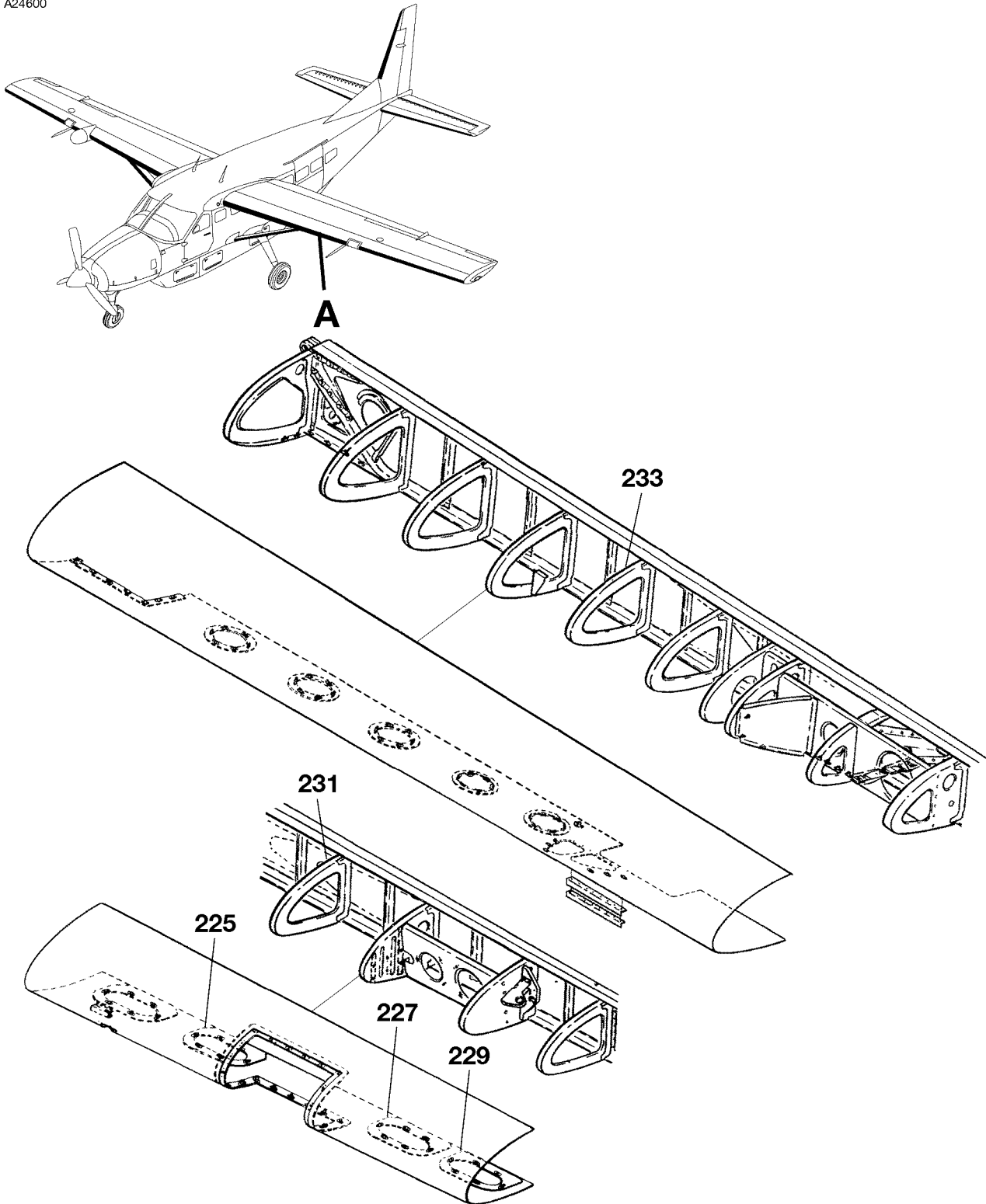
**CESSNA®**  
**MODEL 208**  
**ILLUSTRATED PARTS CATALOG**

FIG ITEM	PART NUMBER	1 2 3 4 5 6 7	NOMENCLATURE	UNITS PER ASSY		
01						
150	2622175-1		. . RIB-LH WS 155.90 . . . . .	0001	0131	01
- 150A	2622175-3		. . RIB-LH WS 155.90 FSO 2622296-7 . . . . .	B0001	B0054	
- 150B	2622296-1		. . RIB-LH WS 155.90 FSO 2622296-7 . . . . .	0132	0237	NP
- 150C	2622296-5		. . RIB-LH WS 155.90 FSO 2622296-7 . . . . .	B0055	B0399	
- 150D	2622296-7		. . RIB-LH WS 155.90 . . . . .	0238	0275	NP
- 151	2622175-2		. . RIB-RH WS 155.90 . . . . .	B0400	B0667	
- 151A	2622175-4		. . RIB-RH WS 155.90 FSO 2622296-8 . . . . .	0276	0568	NP
- 151B	2622296-2		. . RIB-RH WS 155.90 FSO 2622296-8 . . . . .	B0668	B5178	
- 151C	2622296-6		. . RIB-RH WS 155.90 FSO 2622296-8 . . . . .	0569	& ON	01
- 151D	2622296-8		. . RIB-RH WS 155.90 . . . . .	B5179	& ON	
152	2622217-1		. CLOSURE-LH . . . . .	0001	0131	01
- 153	2622217-2		. CLOSURE-RH . . . . .	B0001	B0054	
154	2622218-3		. RIB-LH CANTED WS 126.50 . . . . .	0132	0237	NP
- 155	2622218-4		. RIB-RH CANTED WS 126.50 . . . . .	B0055	B0399	
156	NAS681A08		. NUTPLATE . . . . .	0238	0275	NP
- 156A	MS21049L08		. NUTPLATE ALT FOR NAS681A08 . . . . .	B0400	B0667	
157	2622216-1		. INTERCOSTAL-LH FWD . . . . .	0276	0568	NP
- 158	2622216-2		. INTERCOSTAL-RH FWD . . . . .	B0668	B5178	
159	MS21053L08		. NUTPLATE . . . . .	0569	& ON	01
160	NAS681A08		. NUTPLATE . . . . .	B5179	& ON	
- 160A	MS21049L08		. NUTPLATE ALT FOR NAS681A08 . . . . .	0001	0131	01
161	MS21053L08		. NUTPLATE . . . . .	B0001	B0054	
162	NAS681A08		. NUTPLATE . . . . .	0132	0237	NP
- 162A	MS21049L08		. NUTPLATE ALT FOR NAS681A08 . . . . .	B0055	B0399	
163	2621012-5		. BRACKET-LH . . . . .	0238	0275	NP
- 164	2621012-6		. BRACKET-RH . . . . .	B0400	B0667	
165	2621012-33		. BRACKET-LH . . . . .	0276	0568	NP
- 166	2621012-34		. BRACKET-RH . . . . .	B0668	B5178	
167	2622074-27		. . BRACKET ASSY .025 2024 T3 . . . . .	0569	& ON	01
- 168	NAS681A08		. . NUTPLATE . . . . .	B5179	& ON	
- 169	2622074-23		. WING LEADING EDGE ASSEMBLY-LH CTR FSO 2622074-57 . . . . .	0001	0237	NP
- 169A	2622074-57		. WING LEADING EDGE ASSEMBLY-LH CTR . . . . .	B0001	B0399	
- 169B	2622077-7		. WING LEADING EDGE ASSEMBLY-LH CTR . . . . .	0238	0568	01
- 170	2622074-24		. WING LEADING EDGE ASSEMBLY-RH CTR FSO 2622074-58 . . . . .	B0400	B5178	
- 170A	2622074-58		. WING LEADING EDGE ASSEMBLY-RH CTR . . . . .	0569	& ON	01
- 170B	2622077-8		. WING LEADING EDGE ASSEMBLY-RH CTR . . . . .	B5179	& ON	
171	2622074-5		. . SKIN-LH CTR . . . . .	0001	0237	NP
- 171A	2622074-33		. . SKIN-LH CTR FSO 2622078-3 . . . . .	B0001	B0399	
- 171B	2622078-3		. . SKIN-LH CTR . . . . .	0238	0567	01 R
- 172	2622074-6		. . SKIN-RH CTR FSO 2622078-4 . . . . .	B0400	B5178	
- 172A	2622078-4		. . SKIN-RH CTR . . . . .	0568	& ON	01 R
173	2622193-19		. . DOUBLER ASSY-LH LEADING EDGE . . . . .	B5179	& ON	
- 173A	2622193-34		. . DOUBLER ASSY-LH LEADING EDGE . . . . .	0001	0568	01
- 174	2622193-27		. . DOUBLER ASSY-RH LEADING EDGE . . . . .	B0001	B5178	
- 174A	2622193-34		. . DOUBLER ASSY-RH LEADING EDGE . . . . .	0569	& ON	01
- 175	S3429-2A		. . . NUTPLATE . . . . .	0001	0568	06
				B0001	B5178	

- ITEM NOT ILLUSTRATED

CESSNA®  
**MODEL 208**  
ILLUSTRATED PARTS CATALOG

A24600



**DETAIL A**

WING LEADING EDGE ASSEMBLIES  
FIGURE 01 (SHEET 4)

2610T1031  
A26223001

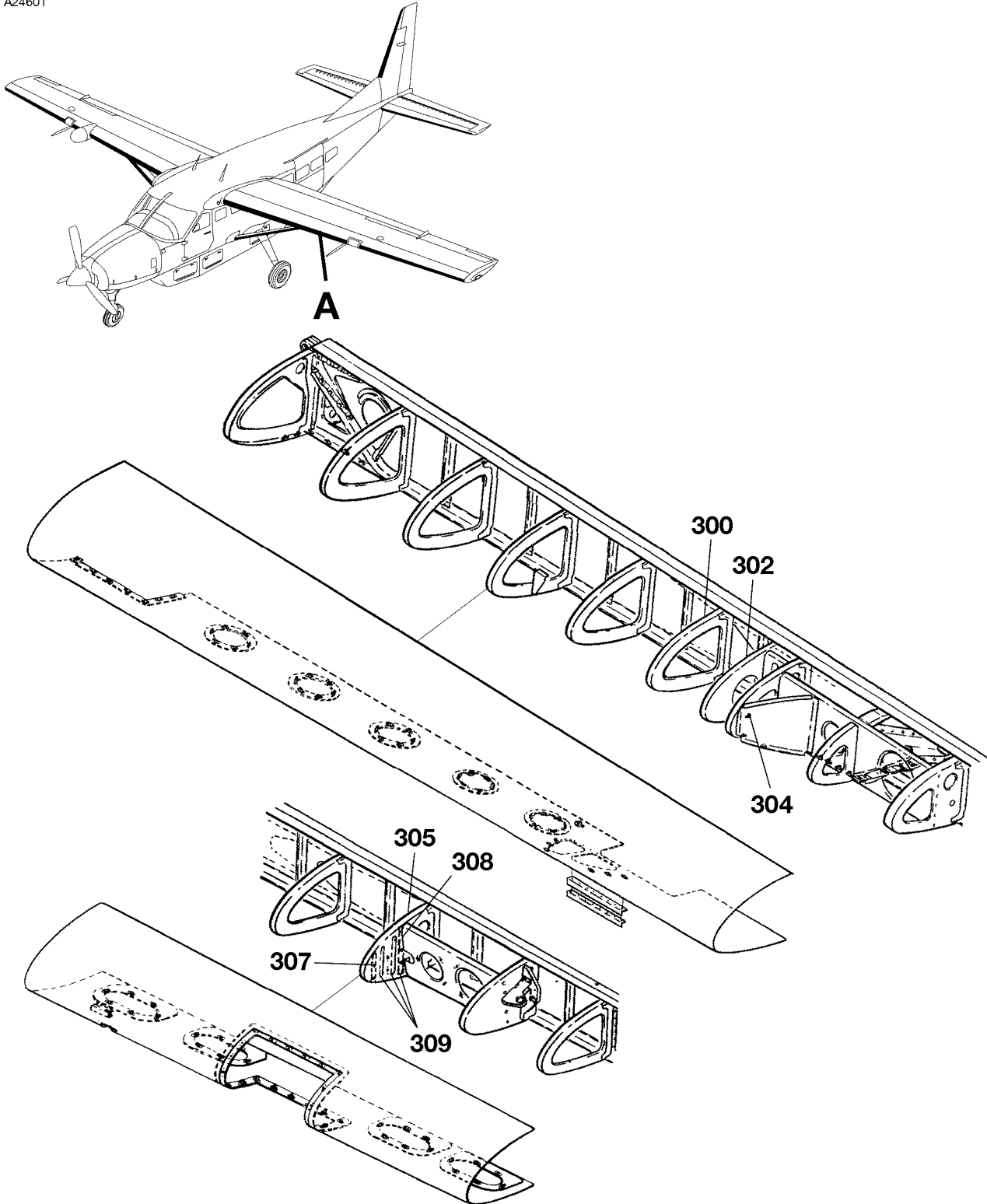
**CESSNA®**  
**MODEL 208**  
**ILLUSTRATED PARTS CATALOG**

FIG ITEM	PART NUMBER	1 2 3 4 5 6 7	NOMENCLATURE	UNITS PER ASSY		
01						
225	2622193-24		.. DOUBLER-LH & RH LEADING EDGE FSO 2622193-35 .....	0001	0568	01
				B0001	B5178	
- 225A	2622193-35		.. DOUBLER-LH & RH LEADING EDGE .....	0569	& ON	01
				B5179	& ON	
- 226	S3429-2A		.. NUTPLATE .....			06
227	2622193-10		.. DOUBLER-LH & RH FSO 2622193-31 .....	0001	0568	NP
				B0001	B5178	
- 227A	2622193-31		.. DOUBLER-LH & RH .....	0569	& ON	01
				B5179	& ON	
- 228	S3429-2A		.. NUTPLATE .....			06
229	2622193-9		.. DOUBLER-LH & RH FSO 2622193-30 .....	0001	0568	NP
				B0001	B5178	
- 229A	2622193-30		.. DOUBLER ASSY-LH & RH .....	0569	& ON	01
				B5179	& ON	
- 230	S3429-2A		.. NUTPLATE .....			06
231	2622012-1		.. RIB-LH WS 170.60 .....	0001	0131	01
				B0001	B0054	
- 231A	2622012-3		.. RIB-LH WS 170.60 FSO 2622297-5 .....	0132	0237	NP
				B0055	B0399	
- 231B	2622297-1		.. RIB-LH WS 170.60 FSO 2622297-5 .....	0238	0568	NP
				B0400	B5178	
- 231C	2622297-5		.. RIB-LH WS 170.60 .....	0569	& ON	01
				B5179	& ON	
- 232	2622012-2		.. RIB-RH WS 170.60 .....	0001	0131	01
				B0001	B0054	
- 232A	2622012-4		.. RIB-RH WS 170.60 FSO 2622297-6 .....	0132	0237	NP
				B0055	B0399	
- 232B	2622297-2		.. RIB-RH WS 170.60 FSO 2622297-6 .....	0238	0568	NP
				B0400	B5178	
- 232C	2622297-6		.. RIB-RH WS 170.60 .....	0569	& ON	01
				B5179	& ON	
233	2622010-1		.. RIB-LH WS 97.50 .....	0001	0131	01
				B0001	B0054	
- 233A	2622010-3		.. RIB-LH WS 97.50 FSO 2622293-7 .....	0132	0237	NP
				B0055	B0399	
- 233B	2622293-1		.. RIB-LH WS 97.50 FSO 2622293-7 .....	0238	0275	NP
				B0400	B0667	
- 233C	2622293-5		.. RIB-LH WS 97.50 FSO 2622293-7 .....	0276	0568	NP
				B0668	B5178	
- 233D	2622293-7		.. RIB-LH WS 97.50 .....	0569	& ON	01
				B5179	& ON	
- 234	2622010-2		.. RIB-RH WS 97.50 .....	0001	0131	01
				B0001	B0054	
- 234A	2622010-4		.. RIB-RH WS 97.50 FSO 2622293-8 .....	0132	0237	NP
				B0055	B0399	
- 234B	2622293-2		.. RIB-RH WS 97.50 FSO 2622293-8 .....	0238	0275	NP
				B0400	B0667	
- 234C	2622293-6		.. RIB-RH WS 97.50 FSO 2622293-8 .....	0276	0568	NP
				B0668	B5178	
- 234D	2622293-8		.. RIB-RH WS 97.50 .....	0569	& ON	01
				B5179	& ON	

- ITEM NOT ILLUSTRATED

CESSNA®  
**MODEL 208**  
ILLUSTRATED PARTS CATALOG

A24601



**DETAIL A**

WING LEADING EDGE ASSEMBLIES  
FIGURE 01 (SHEET 5)

2610T1031  
A26223001



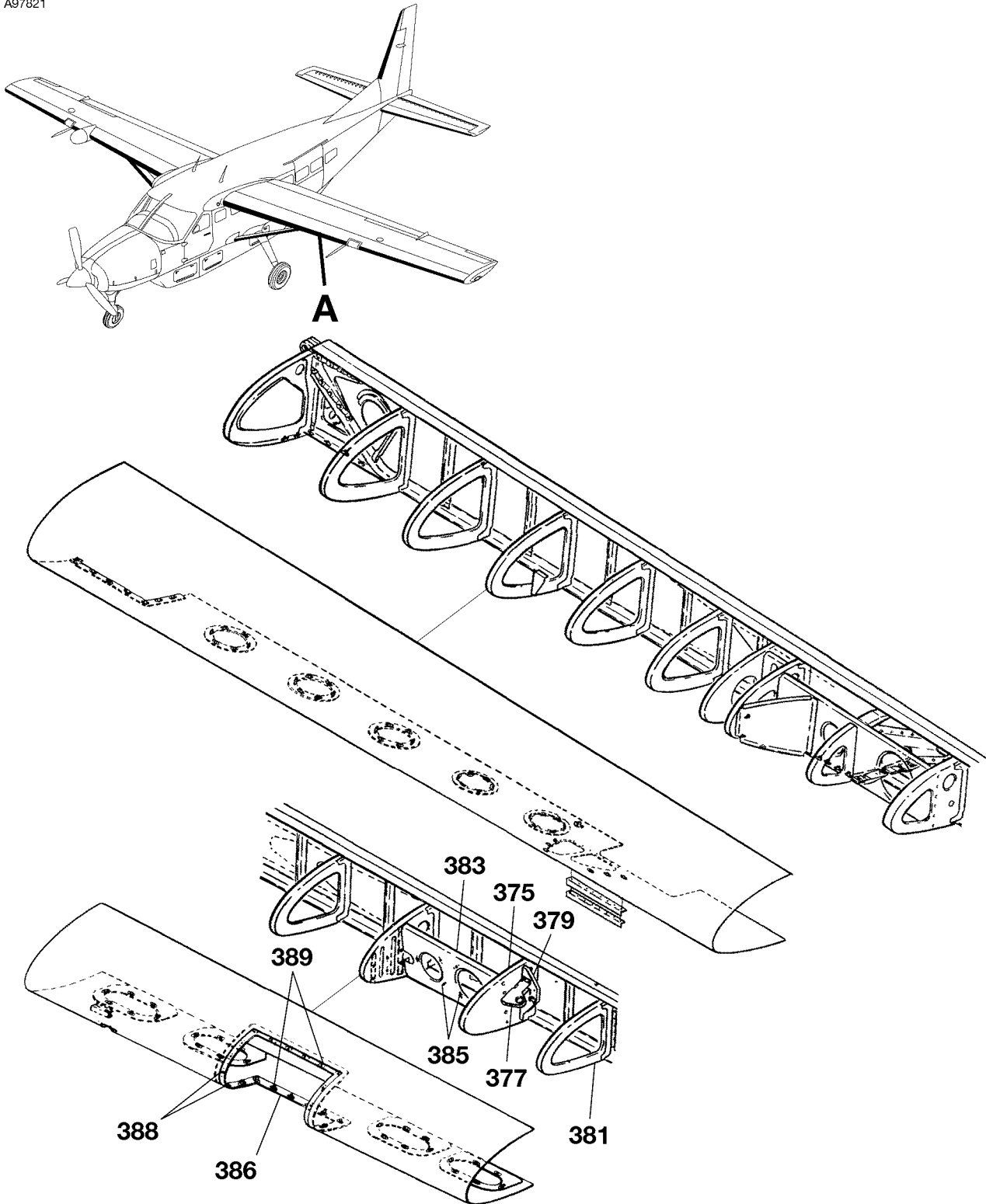
**CESSNA®**  
**MODEL 208**  
**ILLUSTRATED PARTS CATALOG**

FIG ITEM	PART NUMBER	1 2 3 4 5 6 7	NOMENCLATURE	UNITS PER ASSY		
01						
300	2622015-1		RIB-LH WS 112.00	0001	0131	01
- 300A	2622015-3		RIB-LH WS 112.00 FSO 2622294-7	B0001	B0054	
- 300B	2622294-1		RIB-LH WS 112.00 FSO 2622294-7	0132	0237	NP
- 300C	2622294-5		RIB-LH WS 112.00 FSO 2622294-7	B0055	B0399	
- 300D	2622294-7		RIB-LH WS 112.00	0238	0275	NP
- 301	2622015-2		RIB-RH WS 112.00	B0400	B0667	
- 301A	2622015-4		RIB-RH WS 112.00 FSO 2622294-8	0276	0568	NP
- 301B	2622294-2		RIB-RH WS 112.00 FSO 2622294-8	B0668	B5178	
- 301C	2622294-6		RIB-RH WS 112.00 FSO 2622294-8	0569	& ON	01
- 301D	2622294-8		RIB-RH WS 112.00	B5179	& ON	
302	2622219-3		RIB-LH WS 121.80	0001	0009	01
- 302A	2622219-7		RIB-LH WS 121.80	0010	0131	01
- 302B	2622219-11		RIB-LH WS 121.80 FSO 2622219-17	B0001	B0054	
- 302C	2622219-17		RIB-LH WS 121.80	0132	0568	NP
- 303	2622219-4		RIB-RH WS 121.80	B0055	B5178	
- 303A	2622219-8		RIB-RH WS 121.80	0569	& ON	01
- 303B	2622219-12		RIB-RH WS 121.80 FSO 2622219-18	B5179	& ON	
- 303C	2622219-18		RIB-RH WS 121.80	0001	0009	01
304	MS21053A08		NUTPLATE	0010	0131	01
305	2622173-3		RIB-LH WS 185.30 FSO 2622298-9	B0001	B0054	
- 305A	2622173-9		RIB-LH WS 185.30	0132	0237	NP
- 305B	2622173-13		RIB-LH WS 185.30 FSO 2622298-11	B0055	B0399	
- 305C	2622298-3		RIB-LH WS 185.30 FSO 2622298-11	0238	0275	NP
- 305D	2622298-9		RIB-LH WS 185.30 FSO 2622298-11	B0400	B0667	
- 305E	2622298-11		RIB-LH WS 185.30	0276	0568	NP
- 306	2622173-4		RIB-RH WS 185.30 FSO 2622298-10	B0668	B5178	
- 306A	2622173-10		RIB-RH WS 185.30	0569	& ON	01
- 306B	2622173-14		RIB-RH WS 185.30 FSO 2622298-12	B5179	& ON	
- 306C	2622298-4		RIB-RH WS 185.30 FSO 2622298-12	0001	0089	NP
- 306D	2622298-10		RIB-RH WS 185.30 FSO 2622298-12	0090	0131	01
- 306E	2622298-12		RIB-RH WS 185.30	B0001	B0054	
307	2622173-5		ANGLE-LH ONLY S109	0132	0237	NP
308	2622173-7		ANGLE-LH ONLY S109	B0055	B0399	
309	MS21047L3		NUTPLATE	0238	0275	NP
				B0400	B0667	
				0276	0568	NP
				B0668	B5178	
				0569	& ON	01
				B5179	& ON	

- ITEM NOT ILLUSTRATED

CESSNA®  
**MODEL 208**  
ILLUSTRATED PARTS CATALOG

A97821



**DETAIL A**

WING LEADING EDGE ASSEMBLIES  
FIGURE 01 (SHEET 6)

2610T1031  
A26223001

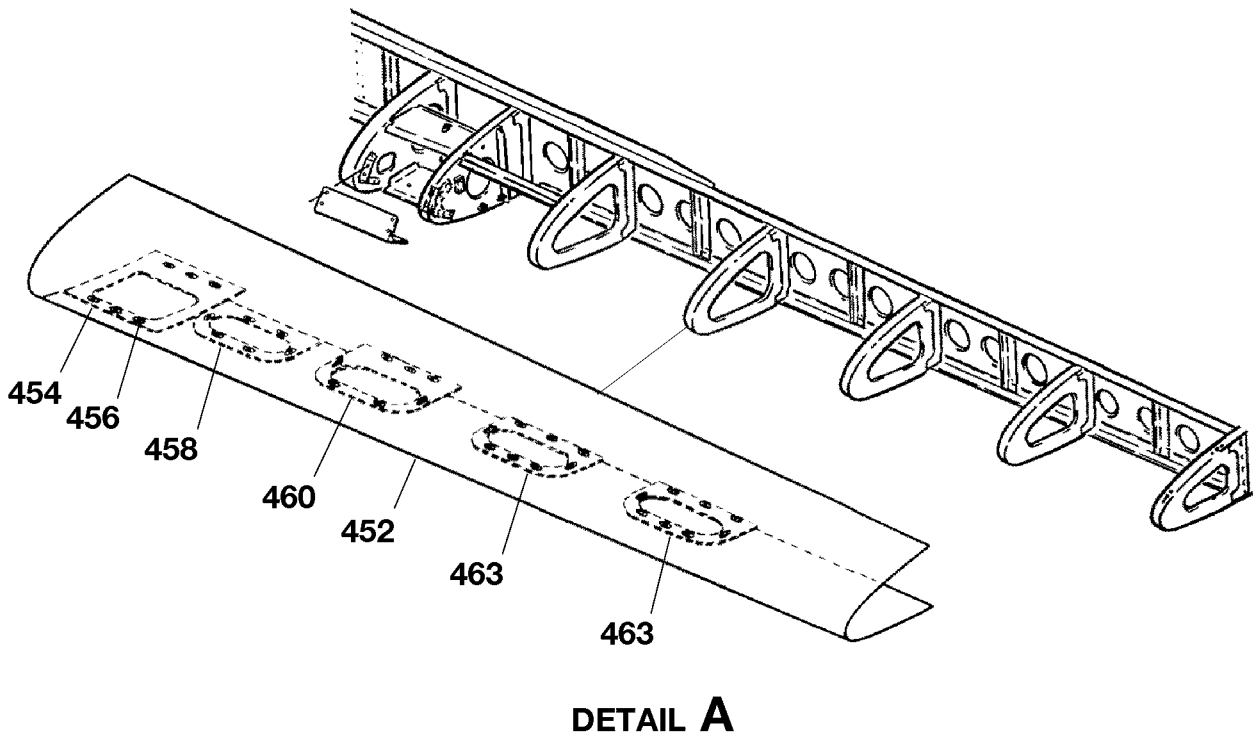
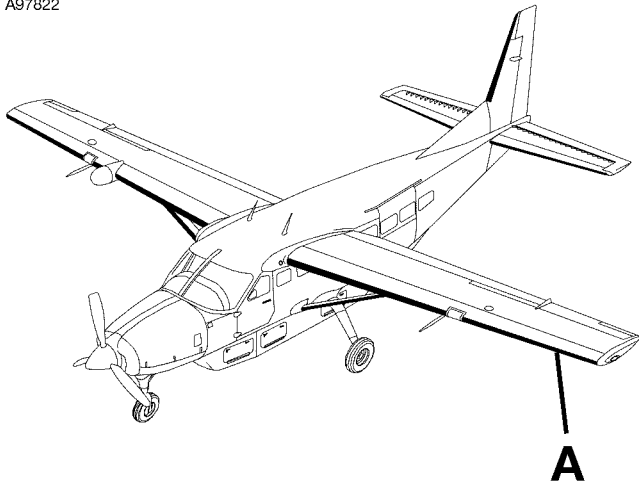
**CESSNA®**  
**MODEL 208**  
**ILLUSTRATED PARTS CATALOG**

FIG ITEM	PART NUMBER	1 2 3 4 5 6 7	NOMENCLATURE	UNITS PER ASSY		
01						
375	2622174-1		RIB-LH WS 201.75	0001	0089	01
- 375A	2622174-5		RIB-LH WS 201.75 FSO 2622299-11	0090	0237	NP
				B0001	B0399	
- 375B	2622299-3		RIB-LH WS 201.75 FSO 2622299-11	0238	0275	NP
				B0400	B0667	
- 375C	2622299-9		RIB-LH WS 201.75 FSO 2622299-11	0276	0568	NP
				B0668	B5178	
- 375D	2622299-11		RIB-LH WS 201.75	0569	& ON	01
				B5179	& ON	
- 376	2622174-2		RIB-RH WS 201.75	0001	0089	01
- 376A	2622174-6		RIB-RH WS 201.75 FSO 2622299-12	0090	0237	NP
				B0001	B0399	
- 376B	2622299-4		RIB-RH WS 201.75 FSO 2622299-12	0238	0275	NP
				B0400	B0667	
- 376C	2622299-10		RIB-RH WS 201.75 FSO 2622299-12	0276	0568	NP
				B0668	B5178	
- 376D	2622299-12		RIB-RH WS 201.75	0569	& ON	01
				B5179	& ON	
377	2622227-1		PULLEY BRACKET-LH FWD			01
- 378	2622227-2		PULLEY BRACKET-RH FWD			01
379	2622228-1		PULLEY BRACKET-LH AFT	0001	0089	01
- 379A	2622228-3		PULLEY BRACKET-LH AFT	0090	& ON	01
				B0001	& ON	
- 380	2622228-2		PULLEY BRACKET-RH AFT	0001	0089	01
- 380A	2622228-4		PULLEY BRACKET-RH AFT	0090	& ON	01
				B0001	& ON	
381	2622008-1		RIB-LH WS 214.30	0001	0131	01
				B0001	B0054	
- 381A	2622008-3		RIB-LH WS 214.30 FSO 2622300-7	0132	0237	NP
				B0055	B0399	
- 381B	2622300-1		RIB-LH WS 214.30 FSO 2622300-7	0238	0275	NP
				B0400	B0667	
- 381C	2622300-5		RIB-LH WS 214.30 FSO 2622300-7	0276	0568	NP
				B0668	B5178	
- 381D	2622300-7		RIB-LH WS 214.30	0569	& ON	01
				B5179	& ON	
- 382	2622008-2		RIB-RH WS 214.30	0001	0131	01
				B0001	B0054	
- 382A	2622008-4		RIB-RH WS 214.30 FSO 2622300-8	0132	0237	NP
				B0055	B0399	
- 382B	2622300-2		RIB-RH WS 214.30 FSO 2622300-8	0238	0275	NP
				B0400	B0667	
- 382C	2622300-6		RIB-RH WS 214.30 FSO 2622300-8	0276	0568	NP
				B0668	B5178	
- 382D	2622300-8		RIB-RH WS 214.30	0569	& ON	01
				B5179	& ON	
383	2622056-1		INTERCOSTAL ASSY-LANDING TAXI LIGHT SUPPORT-LH FSO 2622056-5	0001	0568	NP
				B0001	B5178	
- 383A	2622056-5		INTERCOSTAL ASSY-LANDING TAXI LIGHT SUPPORT-LH	0569	& ON	01
				B5179	& ON	
- 384	2622056-2		INTERCOSTAL ASSY-LANDING TAXI LIGHT SUPPORT-RH FSO 2622056-6	0001	0567	NP R
				B0001	B5178	
- 384A	2622056-6		INTERCOSTAL ASSY-LANDING TAXI LIGHT SUPPORT-RH	0568	& ON	01 R
				B5179	& ON	
385	NAS680A3K		NUTPLATE	0001	0568	06
				B0001	B5178	
- 385A	MS21059L3K		NUTPLATE	0569	& ON	06
				B5179	& ON	
386	2622074-17		DOUBLER ASSY-LH LANDING LIGHT FSO 2622074-45	0001	0092	NP
- 386A	2622074-37		DOUBLER ASSY-LH LANDING LIGHT FSO 2622074-45	0093	0154	NP
				B0001	B0179	
- 386B	2622074-45		DOUBLER ASSY-LH LANDING LIGHT	0155	0261	01
				B0180	B0608	
- 386C	2622074-61		DOUBLER ASSY-LH LANDING LIGHT	0262	& ON	01
				B0609	& ON	
- 387	2622074-18		DOUBLER ASSY-RH LANDING LIGHT FSO 2622074-46	0001	0092	NP
- 387A	2622074-38		DOUBLER ASSY-RH LANDING LIGHT FSO 2622074-46	0093	0154	NP
				B0001	B0179	
- 387B	2622074-46		DOUBLER ASSY-RH LANDING LIGHT	0155	0261	01
				B0180	B0608	
- 387C	2622074-62		DOUBLER ASSY-RH LANDING LIGHT	0262	& ON	01
				B0609	& ON	
388	MS21061L08K		NUTPLATE			09
389	MS21059L08K		NUTPLATE			12

- ITEM NOT ILLUSTRATED

CESSNA®  
**MODEL 208**  
ILLUSTRATED PARTS CATALOG

A97822



**DETAIL A**

2610T1031  
A26221005

WING LEADING EDGE ASSEMBLIES  
FIGURE 01 (SHEET 7)

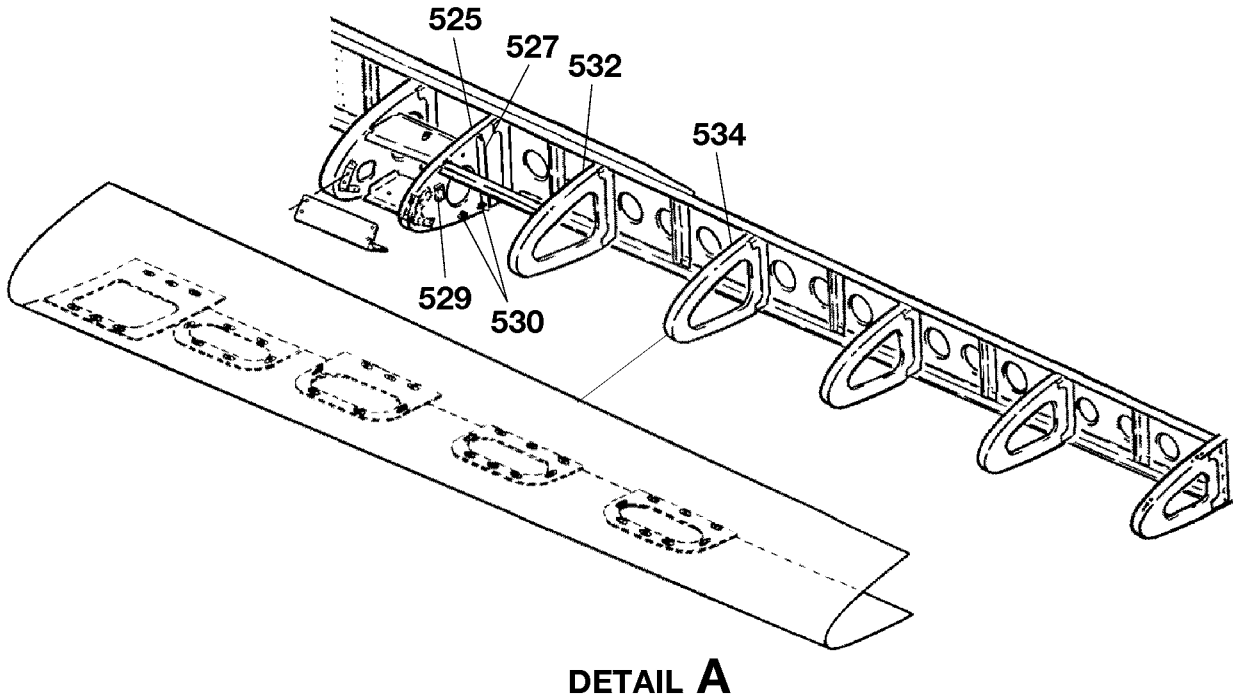
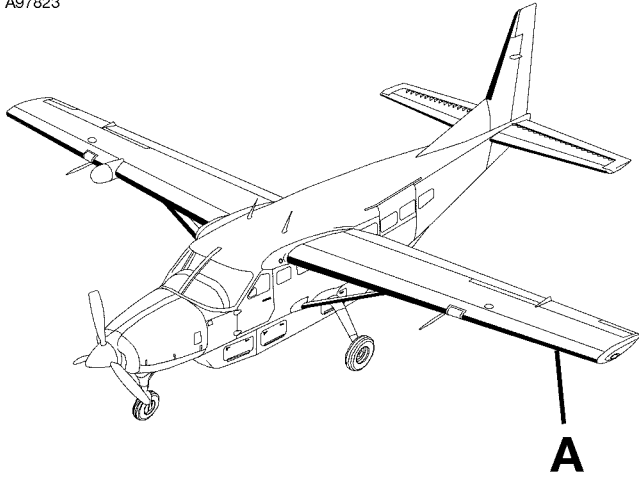
**CESSNA®**  
**MODEL 208**  
**ILLUSTRATED PARTS CATALOG**

FIG ITEM	PART NUMBER	NOMENCLATURE	UNITS PER ASSY																
			1	2	3	4	5	6	7										
01																			
- 450	2622074-25	. WING LEADING EDGE ASSY-LH OUTBD FSO 2622074-59 . . . . .																	
- 450A	2622074-59	. WING LEADING EDGE ASSY-LH OUTBD . . . . .																	
- 450B	2622077-11	. WING LEADING EDGE ASSY-LH OUTBD . . . . .																	
- 451	2622074-26	. WING LEADING EDGE ASSY-RH OUTBD FSO 2622074-60 . . . . .																	
- 451A	2622074-60	. WING LEADING EDGE ASSY-RH OUTBD . . . . .																	
- 451B	2622077-12	. WING LEADING EDGE ASSY-RH OUTBD . . . . .																	
452	2622074-7	. . SKIN-LH OUTBD FSO 2622078-5 . . . . .																	
- 452A	2622078-5	. . SKIN-LH OUTBD . . . . .																	
- 453	2622074-8	. . SKIN-RH OUTBD FSO 2622078-6 . . . . .																	
- 453A	2622078-6	. . SKIN-RH OUTBD . . . . .																	
454	2622192-5	. . DOUBLER-LH FSO 2622192-7 . . . . .																	
- 454A	2622192-7	. . DOUBLER-LH . . . . .																	
- 455	2622192-6	. . DOUBLER-RH FSO 2622192-8 . . . . .																	
- 455A	2622192-8	. . DOUBLER-RH . . . . .																	
456	NAS683A3K	. . . NUTPLATE . . . . .																	
- 456A	MS21053L3	. . . NUTPLATE . . . . .																	
- 457	NAS681A3K	. . . NUTPLATE . . . . .																	
- 457A	MS21049L3	. . . NUTPLATE . . . . .																	
458	2622193-4	. . DOUBLER-LH & RH FSO 2622193-29 . . . . .																	
- 458A	2622193-29	. . DOUBLER-LH & RH . . . . .																	
- 459	S3429-2A	. . NUTPLATE . . . . .																	
460	2622193-15	. . DOUBLER ASSY-LH & RH FSO 2622193-32 . . . . .																	
- 460A	2622193-32	. . DOUBLER ASSY-LH & RH . . . . .																	
- 461	S3429-2A	. . NUTPLATE . . . . .																	
- 462	S3430-2A	. . NUTPLATE . . . . .																	
463	2622193-16	. . DOUBLER-LH & RH FSO 2622193-33 . . . . .																	
- 463A	2622193-33	. . DOUBLER-LH & RH . . . . .																	
- 464	S3429-2A	. . NUTPLATE . . . . .																	

- ITEM NOT ILLUSTRATED

CESSNA®  
**MODEL 208**  
ILLUSTRATED PARTS CATALOG

A97823



2610T1031  
A26221005

WING LEADING EDGE ASSEMBLIES  
FIGURE 01 (SHEET 8)

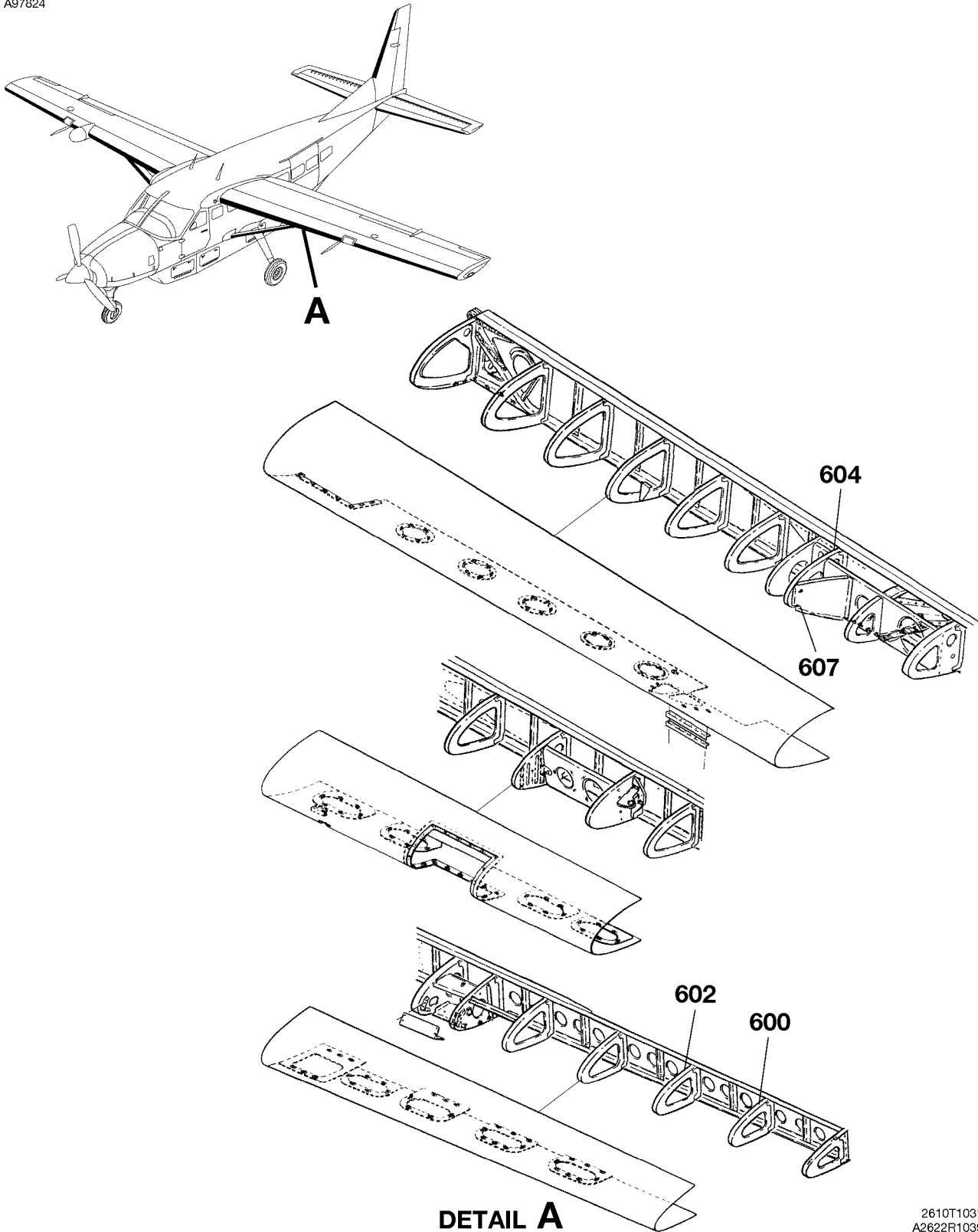
**CESSNA®  
MODEL 208  
ILLUSTRATED PARTS CATALOG**

FIG ITEM	PART NUMBER	1 2 3 4 5 6 7	NOMENCLATURE	UNITS PER ASSY		
01						
525	2622156-3		. . RIB-LH WS 233.50 FSO 2622302-7 . . . . .	0001	0237	NP
- 525A	2622302-3		. . RIB-LH WS 233.50 FSO 2622302-7 . . . . .	B0001	B0399	
- 525B	2622302-7		. . RIB-LH WS 233.50 . . . . .	0238	0568	NP
- 526	2622156-4		. . RIB-RH WS 233.50 FSO 2622302-8 . . . . .	B0400	B5178	
- 526A	2622302-4		. . RIB-RH WS 233.50 FSO 2622302-8 . . . . .	0569	& ON	01
- 526B	2622302-8		. . RIB-RH WS 233.50 . . . . .	B5179	& ON	
527	2622156-5		. . SUPPORT S1969-1 . . . . .	0001	0237	NP
- 528	MS21047L3		. . NUTPLATE . . . . .	B0001	B0399	
529	2622156-6		. . BUMPER-AILERON UP STOP . . . . .	0238	0568	NP
530	NAS681A3		. . NUTPLATE . . . . .	B0400	B5178	
- 530A	MS21059L3		. . NUTPLATE . . . . .	0569	& ON	01
- 531	NAS683A3		. . NUTPLATE . . . . .	B5179	& ON	
- 531A	MS21061L3		. . NUTPLATE . . . . .	0001	0568	02
532	2622006-1		. . RIB-LH WS 244.48 . . . . .	B0001	B5178	
- 532A	2622006-3		. . RIB-LH WS 244.48 FSO 2622303-7 . . . . .	0569	& ON	01
- 532B	2622303-1		. . RIB-LH WS 244.48 FSO 2622303-7 . . . . .	B5179	& ON	
- 532C	2622303-5		. . RIB-LH WS 244.48 FSO 2622303-7 . . . . .	0001	0131	01
- 532D	2622303-7		. . RIB-LH WS 244.48 . . . . .	B0001	B0054	
- 533	2622006-2		. . RIB-RH WS 244.48 . . . . .	0132	0237	NP
- 533A	2622006-4		. . RIB-RH WS 244.48 FSO 2622303-8 . . . . .	B0055	B0399	
- 533B	2622303-2		. . RIB-RH WS 244.48 FSO 2622303-8 . . . . .	0238	0275	NP
- 533C	2622303-6		. . RIB-RH WS 244.48 FSO 2622303-8 . . . . .	B0400	B0667	
- 533D	2622303-8		. . RIB-RH WS 244.48 . . . . .	0276	0568	NP
534	2622001-1		. . RIB-LH WS 260.36 . . . . .	B0668	B5178	
- 534A	2622001-3		. . RIB-LH WS 260.36 FSO 2622304-7 . . . . .	0569	& ON	01
- 534B	2622304-1		. . RIB-LH WS 260.36 FSO 2622304-7 . . . . .	B5179	& ON	
- 534C	2622304-5		. . RIB-LH WS 260.36 FSO 2622304-7 . . . . .	0001	0131	01
- 534D	2622304-7		. . RIB-LH WS 260.36 . . . . .	B0001	B0054	
- 535	2622001-2		. . RIB-RH WS 260.36 . . . . .	0132	0237	NP
- 535A	2622001-4		. . RIB-RH WS 260.36 FSO 2622304-8 . . . . .	B0055	B0399	
- 535B	2622304-2		. . RIB-RH WS 260.36 FSO 2622304-8 . . . . .	0238	0275	NP
- 535C	2622304-6		. . RIB-RH WS 260.36 FSO 2622304-8 . . . . .	B0400	B0667	
- 535D	2622304-8		. . RIB-RH WS 260.36 . . . . .	0276	0568	NP
				B0668	B5178	
				0569	& ON	01
				B5179	& ON	

- ITEM NOT ILLUSTRATED

CESSNA®  
**MODEL 208**  
ILLUSTRATED PARTS CATALOG

A97824



**DETAIL A**

WING LEADING EDGE ASSEMBLIES  
FIGURE 01 (SHEET 9)

2610T1031  
A2622R1039



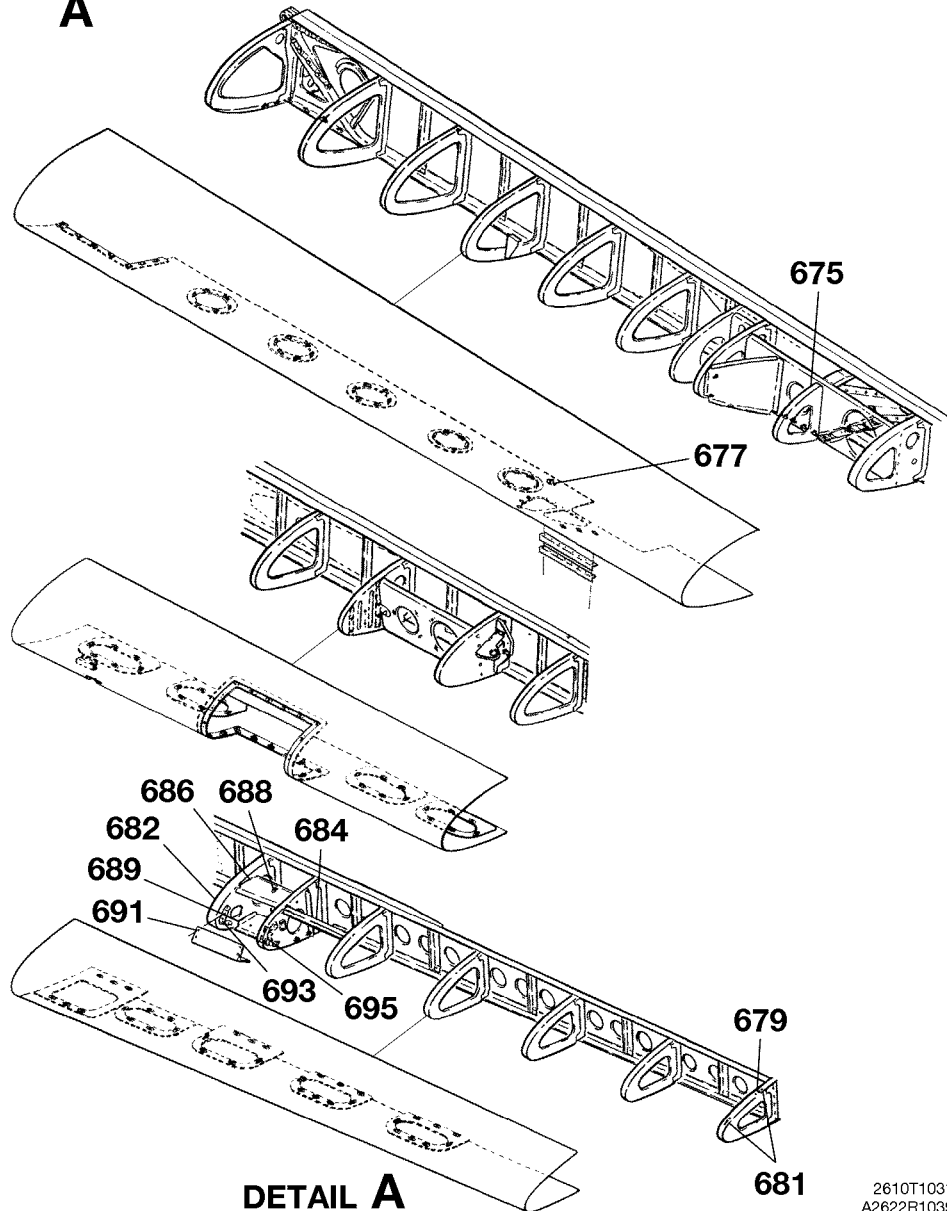
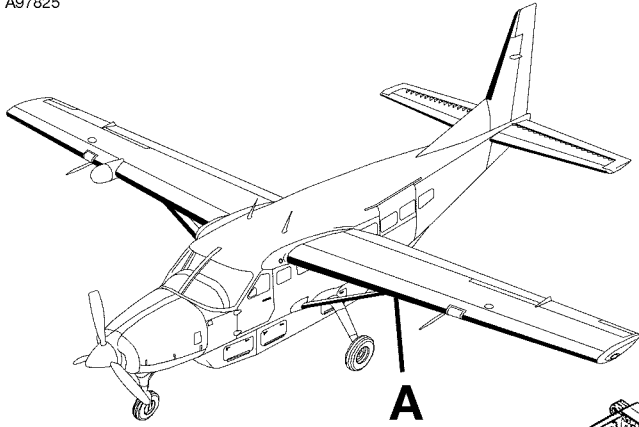
**CESSNA®  
MODEL 208  
ILLUSTRATED PARTS CATALOG**

FIG ITEM	PART NUMBER	1 2 3 4 5 6 7	NOMENCLATURE	UNITS PER ASSY		
01						
600	2622002-1		.. RIB-LH WS 276.24 .....	0001	0131	01
- 600A	2622002-3		.. RIB-LH WS 276.24 FSO 2622305-7 .....	B0001	B0054	
- 600B	2622305-1		.. RIB-LH WS 276.24 FSO 2622305-7 .....	0132	0237	NP
- 600C	2622305-5		.. RIB-LH WS 276.24 FSO 2622305-7 .....	B0055	B0399	
- 600D	2622305-7		.. RIB-LH WS 276.24 .....	0238	0275	NP
- 601	2622002-2		.. RIB-RH WS 276.24 .....	B0400	B0667	
- 601A	2622002-4		.. RIB-RH WS 276.24 FSO 2622305-8 .....	0276	0568	NP
- 601B	2622305-2		.. RIB-RH WS 276.24 FSO 2622305-8 .....	B0668	B5178	
- 601C	2622305-6		.. RIB-RH WS 276.24 FSO 2622305-8 .....	0569	& ON	01
- 601D	2622305-8		.. RIB-RH WS 276.24 .....	B5179	& ON	
602	2622003-1		.. RIB-LH WS 292.12 .....	0001	0131	01
- 602A	2622003-3		.. RIB-LH WS 292.12 FSO 2622306-7 .....	B0001	B0054	
- 602B	2622306-1		.. RIB-LH WS 292.12 FSO 2622306-7 .....	0132	0237	NP
- 602C	2622306-5		.. RIB-LH WS 292.12 FSO 2622306-7 .....	B0055	B0399	
- 602D	2622306-7		.. RIB-LH WS 292.12 .....	0238	0275	NP
- 603	2622003-2		.. RIB-RH WS 292.12 .....	B0400	B0667	
- 603A	2622003-4		.. RIB-RH WS 292.12 FSO 2622306-8 .....	0276	0568	NP
- 603B	2622306-2		.. RIB-RH WS 292.12 FSO 2622306-8 .....	B0668	B5178	
- 603C	2622306-6		.. RIB-RH WS 292.12 FSO 2622306-8 .....	0569	& ON	01
- 603D	2622306-8		.. RIB-RH WS 292.12 .....	B5179	& ON	
604	2622009-3		.. RIB ASSY-LH WS 126.50 FSO 2622295-11 .....	0001	0131	01
- 604A	2622009-7		.. RIB ASSY-LH WS 126.50 FSO 2622295-11 .....	B0001	B0054	
- 604B	2622295-1		.. RIB ASSY-LH WS 126.50 FSO 2622295-11 .....	0132	0237	NP
- 604C	2622295-7		.. RIB ASSY-LH WS 126.50 FSO 2622295-11 .....	B0055	B0399	
- 604D	2622295-11		.. RIB ASSY-LH WS 126.50 .....	0238	0275	NP
- 605	2622009-4		.. RIB ASSY-RH WS 126.50 .....	B0400	B0667	
- 605A	2622009-8		.. RIB ASSY-RH WS 126.50 FSO 2622295-12 .....	0276	0568	NP
- 605B	2622295-2		.. RIB ASSY-RH WS 126.50 FSO 2622295-12 .....	B0668	B5178	
- 605C	2622295-8		.. RIB ASSY-RH WS 126.50 FSO 2622295-12 .....	0569	& ON	01
- 605D	2622295-12		.. RIB ASSY-RH WS 126.50 .....	B5179	& ON	
- 606	NAS681A08K		.. NUTPLATE .....	0001	0568	01
607	NAS681A08		.. NUTPLATE .....	B0001	B5178	
- 607A	MS21049L08		.. NUTPLATE EQU NAS681A08 .....			01

- ITEM NOT ILLUSTRATED

CESSNA®  
MODEL 208  
ILLUSTRATED PARTS CATALOG

A97825



**DETAIL A**

WING LEADING EDGE ASSEMBLIES  
FIGURE 01 (SHEET 10)

2610T1031  
A2622R1039

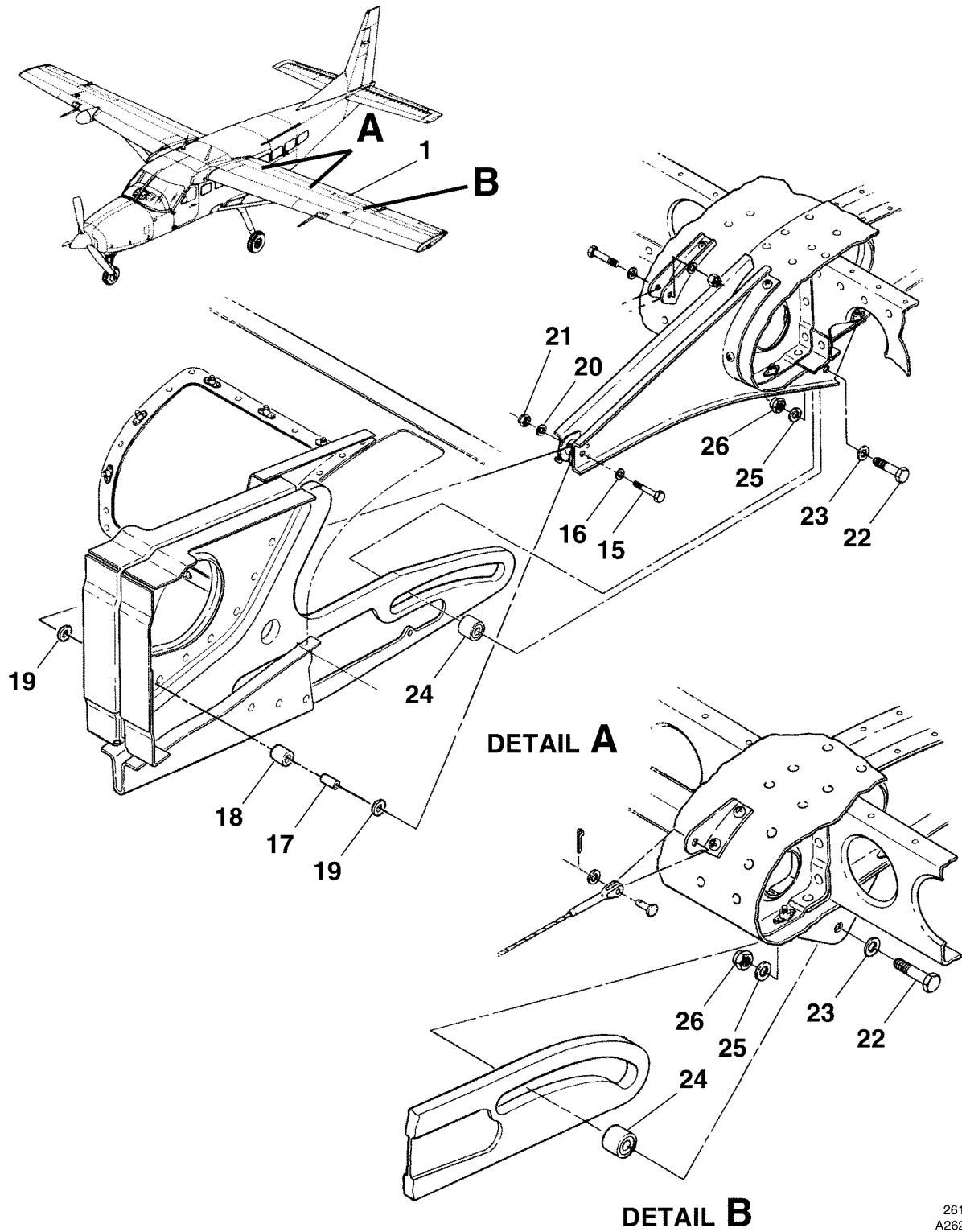
**CESSNA®  
MODEL 208  
ILLUSTRATED PARTS CATALOG**

FIG ITEM	PART NUMBER	1 2 3 4 5 6 7	NOMENCLATURE	UNITS PER ASSY		
01						
675	2622016-1		. . RIB-LH WS 141.20 FSO 2622016-3 . . . . .	0001	0568	NP
				B0001	B5178	
- 675A	2622016-3		. . RIB-LH WS 141.20 . . . . .	0569	& ON	01
				B5179	& ON	
- 676	2622016-2		. . RIB-RH WS 141.20 FSO 2622016-4 . . . . .	0001	0568	NP
				B0001	B5178	
- 676A	2622016-4		. . RIB-RH WS 141.20 . . . . .	0569	& ON	01
				B5179	& ON	
677	NAS681A08		. . NUTPLATE LOCATE ON SKIN . . . . .			01
- 677A	MS21049L08		. . NUTPLATE LOCATE ON SKIN EQU NAS681A08 . . . . .			01
- 678	MS21053L08		. . NUTPLATE LOCATE ON RIB . . . . .			02
679	2622004-3		. . RIB-LH WS 308.00 FSO 2622307-11 . . . . .	0001	0237	NP
				B0001	B0399	
- 679A	2622307-3		. . RIB-LH WS 308.00 FSO 2622307-11 . . . . .	0238	0275	NP
				B0400	B0667	
- 679B	2622307-9		. . RIB-LH WS 308.00 FSO 2622307-11 . . . . .	0276	0568	NP
				B0668	B5178	
- 679C	2622307-11		. . RIB-LH WS 308.00 . . . . .	0569	& ON	01
				B5179	& ON	
- 680	2622004-4		. . RIB-RH WS 308.00 FSO 2622307-12 . . . . .	0001	0237	NP
				B0001	B0399	
- 680A	2622307-4		. . RIB-RH WS 308.00 FSO 2622307-12 . . . . .	0238	0275	NP
				B0400	B0667	
- 680B	2622307-10		. . RIB-RH WS 308.00 FSO 2622307-12 . . . . .	0276	0568	NP
				B0668	B5178	
- 680C	2622307-12		. . RIB-LH WS 308.00 . . . . .	0569	& ON	01
				B5179	& ON	
681	MS21059L08K		. . . . NUTPLATE . . . . .			04
682	2622176-1		. . RIB-LH WS 226.00 FSO 2622301-5 . . . . .	0001	0237	NP
				B0001	B0399	
- 682A	2622301-1		. . RIB-LH WS 226.00 FSO 2622301-5 . . . . .	0238	0568	NP
				B0400	B5178	
- 682B	2622301-5		. . RIB-LH WS 226.00 . . . . .	0569	& ON	01
				B5179	& ON	
- 683	2622176-2		. . RIB-RH WS 226.00 FSO 2622301-6 . . . . .	0001	0237	NP
				B0001	B0399	
- 683A	2622301-2		. . RIB-RH WS 226.00 FSO 2622301-6 . . . . .	0238	0568	NP
				B0400	B5178	
- 683B	2622301-6		. . RIB-RH WS 226.00 . . . . .	0569	& ON	01
				B5179	& ON	
684	2622249-1		. . STRINGER ASSY-LH WING . . . . .			01
- 685	2622249-2		. . STRINGER ASSY-RH WING . . . . .			01
686	2622160-1		. . AILERON BELLCRANK UPPER SUPPORT ASSY-LH . . . . .			01
- 687	2622160-2		. . AILERON BELLCRANK UPPER SUPPORT ASSY-RH . . . . .			01
688	MS21047L4		. . . . NUTPLATE . . . . .			01
689	2622159-1		. . AILERON BELLCRANK LOWER SUPPORT ASSY-LH . . . . .			01
- 690	2622159-2		. . AILERON BELLCRANK LOWER SUPPORT ASSY-RH . . . . .			01
691	2622221-5		. . FOWL DEFLECTOR S102-LH . . . . .	0001	0567	01 R
				B0001	B5178	
- 691A	2622221-7		. . FOWL DEFLECTOR ASSY S102-LH . . . . .	0568	& ON	01 R
				B5179	& ON	
- 692	2622221-6		. . FOWL DEFLECTOR S102-RH . . . . .	0001	0567	01 R
				B0001	B5178	
- 692A	2622221-8		. . FOWL DEFLECTOR ASSY S102-RH . . . . .	0568	& ON	01 R
				B5179	& ON	
693	2622221-3		. . DEFLECTOR ATTACH BRACKET-LH . . . . .			01
- 694	2622221-4		. . DEFLECTOR ATTACH BRACKET-RH . . . . .			01
695	2622221-1		. . DEFLECTOR ATTACH BRACKET-LH . . . . .			01
- 696	2622221-2		. . DEFLECTOR ATTACH BRACKET-RH . . . . .			01

- ITEM NOT ILLUSTRATED

CESSNA®  
**MODEL 208**  
ILLUSTRATED PARTS CATALOG

A24602



FLAP INSTALLATION  
FIGURE 01 (SHEET 1)

26107002  
A26253002  
B26252001

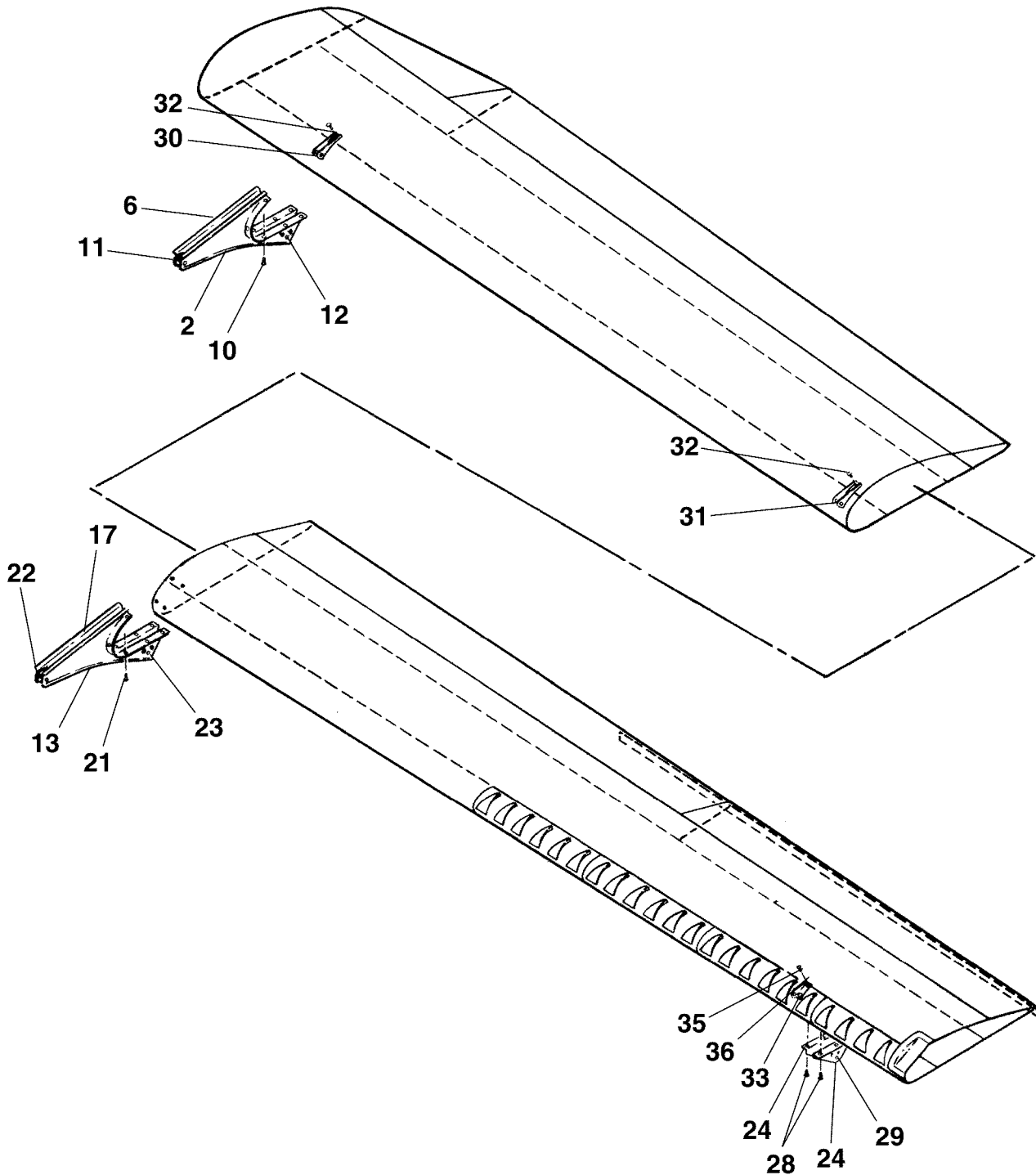
CESSNA®  
**MODEL 208**  
 ILLUSTRATED PARTS CATALOG

FIG ITEM	PART NUMBER	NOMENCLATURE	UNITS PER ASSY		
			1	2	3
01					
-		FLAP INSTALLATION			RF
1	2625000-1	. FLAP ASSY-LH FSO 2625000-39 . . . . .	0001	0206	NP
- 2	2625000-27	. FLAP ASSY-LH FSO 2625000-39 . . . . .	0207	0227	NP
- 3	2625000-39	. FLAP ASSY-LH . . . . .	0228	0355	01
- 3A	2625000-59	. FLAP ASSY-LH . . . . .	0356	0517	01
- 4	2625000-19	. FLAP ASSY-LH FSO 2625000-41 . . . . .	B0001	B0276	NP
- 5	2625000-29	. FLAP ASSY-LH FSO 2625000-41 . . . . .	B0277	B0298	NP
- 6	2625000-37	. FLAP ASSY-LH FSO 2625000-41 . . . . .	B0299	B0336	NP
- 7	2625000-41	. FLAP ASSY-LH . . . . .	B0337	B0932	01
- 7A	2625000-61	. FLAP ASSY-LH . . . . .	0518	& ON	01
			B0933	& ON	
- 7B	2625000-63	. FLAP ASSY-LH USED WITH TKS FAIRING . . . . .	B2256	& ON	01 R
- 8	2625000-2	. FLAP ASSY-RH FSO 2625000-40 . . . . .	0001	0206	NP
- 9	2625000-28	. FLAP ASSY-RH FSO 2625000-40 . . . . .	0207	0227	NP
- 10	2625000-40	. FLAP ASSY-RH . . . . .	0228	0355	01
- 10A	2625000-60	. FLAP ASSY-RH . . . . .	0356	0517	01
- 11	2625000-20	. FLAP ASSY-RH FSO 2625000-42 . . . . .	B0001	B0276	NP
- 12	2625000-30	. FLAP ASSY-RH FSO 2625000-42 . . . . .	B0277	B0298	NP
- 13	2625000-38	. FLAP ASSY-RH FSO 2625000-42 . . . . .	B0299	B0336	NP
- 14	2625000-42	. FLAP ASSY-RH . . . . .	B0337	B0932	01
- 14A	2625000-62	. FLAP ASSY-RH . . . . .	0518	& ON	01
			B0933	& ON	
- 14B	2625000-64	. FLAP ASSY-RH USED WITH TKS FAIRING . . . . .	B2256	& ON	01 R
		ATTACHING PARTS			
15	AN3-11A	. BOLT . . . . .			02
16	NAS1149F0332P	. WASHER . . . . .			02
17	0523919	. BUSHING . . . . .			02
18	0523921	. ROLLER ASSY-FWD . . . . .			02
19	S1450-3S10-032	. WASHER . . . . .			04
20	NAS1149F0363P	. WASHER . . . . .			02
21	MS21044N3	. NUT . . . . .			02
22	AN4-11A	. BOLT . . . . .			03
23	NAS1149F0432P	. WASHER . . . . .			03
24	MS21442-121	. BEARING-AFT . . . . .			03
25	NAS1149F0463P	. WASHER . . . . .			03
26	MS21044N4	. NUT . . . . .			03

- ITEM NOT ILLUSTRATED

CESSNA®  
**MODEL 208**  
ILLUSTRATED PARTS CATALOG

A24603



26253001

FLAP ASSEMBLY - STRUCTURE  
FIGURE 02 (SHEET 1)

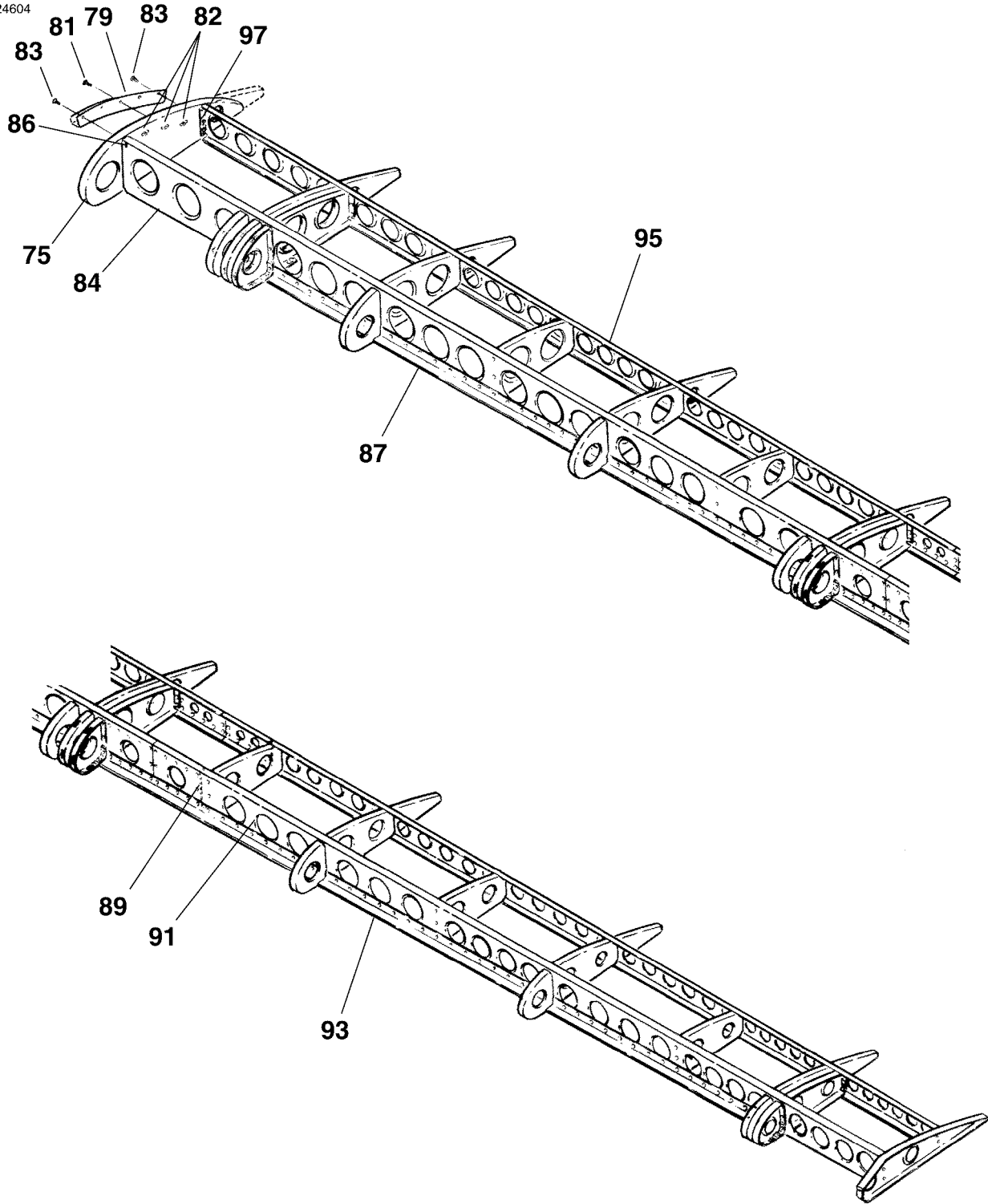
**CESSNA®**  
**MODEL 208**  
**ILLUSTRATED PARTS CATALOG**

FIG ITEM	PART NUMBER	NOMENCLATURE	UNITS PER ASSY		
			1	2	3
02		FLAP ASSEMBLY - STRUCTURE			RF
-		. FLAP ASSY REFER TO 57-50-00 FIGURE 01 . . . . .			RF
- 1		. . SUPPORT ASSY-FLAP LH FSO 2625021-1 . . . . .	0001	0206	NP
2	2625015-3		B0001	B0276	
- 3	2625021-1	. . SUPPORT ASSY-FLAP LH .063 2024 T42 . . . . .	0207	& ON	01
- 4	2625015-4	. . SUPPORT ASSY-FLAP RH FSO 2625021-2 . . . . .	B0277	& ON	
- 5	2625021-2	. . SUPPORT ASSY-FLAP RH .063 2024 T42 . . . . .	0001	0206	NP
6	2625015-4		B0001	B0276	
- 7	2625021-2	. . SUPPORT ASSY-FLAP LH .063 2024 T42 . . . . .	0207	& ON	01
- 8	2625015-3	. . SUPPORT ASSY-FLAP RH FSO 2625021-1 . . . . .	B0277	& ON	
- 9	2625021-1	. . SUPPORT ASSY-FLAP RH .063 2024 T42 . . . . .	0001	0206	NP
			B0001	B0276	
			0207	& ON	01
			B0277	& ON	
		ATTACHING PARTS			
10	NAS221-8	. . SCREW . . . . .			05
		—*—			
11	2625014-9	. . . SPACER-NYLON . . . . .			01
12	2625014-10	. . . SPACER-NYLON . . . . .			01
13	2625014-5	. . SUPPORT ASSY-FLAP LH FSO 2625023-1 . . . . .	0001	0206	NP
- 14	2625023-1	. . SUPPORT ASSY-FLAP LH .063 2024 T42 . . . . .	B0001	B0276	
- 15	2625014-6	. . SUPPORT ASSY-FLAP RH FSO 2625023-2 . . . . .	0207	& ON	01
- 16	2625023-2	. . SUPPORT ASSY-FLAP RH .063 2024 T42 . . . . .	B0277	& ON	
17	2625014-7	. . SUPPORT ASSY-FLAP LH FSO 2625022-1 . . . . .	0001	0206	NP
- 18	2625022-1	. . SUPPORT ASSY-FLAP LH .063 2024 T42 . . . . .	B0001	B0276	
- 19	2625014-8	. . SUPPORT ASSY-FLAP RH FSO 2625022-2 . . . . .	0207	& ON	01
- 20	2625022-2	. . SUPPORT ASSY-FLAP RH .063 2024 T42 . . . . .	B0277	& ON	
		ATTACHING PARTS			
21	NAS221-8	. . SCREW . . . . .			05
		—*—			
22	2625014-9	. . . SPACER-NYLON . . . . .			01
23	2625014-10	. . . SPACER-NYLON . . . . .			01
24	2625016-3	. . SUPPORT ASSY-FLAP LH OUTBD & RH INBD FSO 2625026-1 . . . . .	0001	0227	NP
- 25	2625026-1	. . SUPPORT ASSY-FLAP LH OUTBD & RH INBD .063 2024 T42 . . . . .	B0001	B0336	
- 26	2625016-4	. . SUPPORT ASSY-FLAP LH INBD & RH OUTBD FSO 2625026-2 . . . . .	0228	& ON	02
- 27	2625026-2	. . SUPPORT ASSY-FLAP LH INBD & RH OUTBD .063 2024 T42 . . . . .	B0337	& ON	
			0001	0227	NP
			B0001	B0336	
			0228	& ON	02
			B0337	& ON	
		ATTACHING PARTS			
28	NAS221-8	. . SCREW . . . . .			03
		—*—			
29	2625014-10	. . . SPACER-NYLON . . . . .			01
30	2625010-1	. . BRACKET-FLAP PUSHROD ATTACH .080 2024 T42 . . . . .			01
31	2625010-2	. . BRACKET-FLAP PUSHROD ATTACH .080 2024 T42 . . . . .			01
		ATTACHING PARTS			
32	NAS221-8	. . SCREW . . . . .			02
		—*—			
33	2625017-1	. . BRACKET-FLAP CABLE LH .063 2024 T42 . . . . .			01
- 34	2625017-2	. . BRACKET-FLAP CABLE RH .063 2024 T42 . . . . .			01
		ATTACHING PARTS			
35	NAS221-7	. . SCREW . . . . .			02
36	NAS1149F0363P	. . WASHER . . . . .			02
		—*—			

- ITEM NOT ILLUSTRATED

CESSNA®  
**MODEL 208**  
ILLUSTRATED PARTS CATALOG

A24604



26253001

FLAP ASSEMBLY - STRUCTURE  
FIGURE 02 (SHEET 2)



**CESSNA®  
MODEL 208  
ILLUSTRATED PARTS CATALOG**

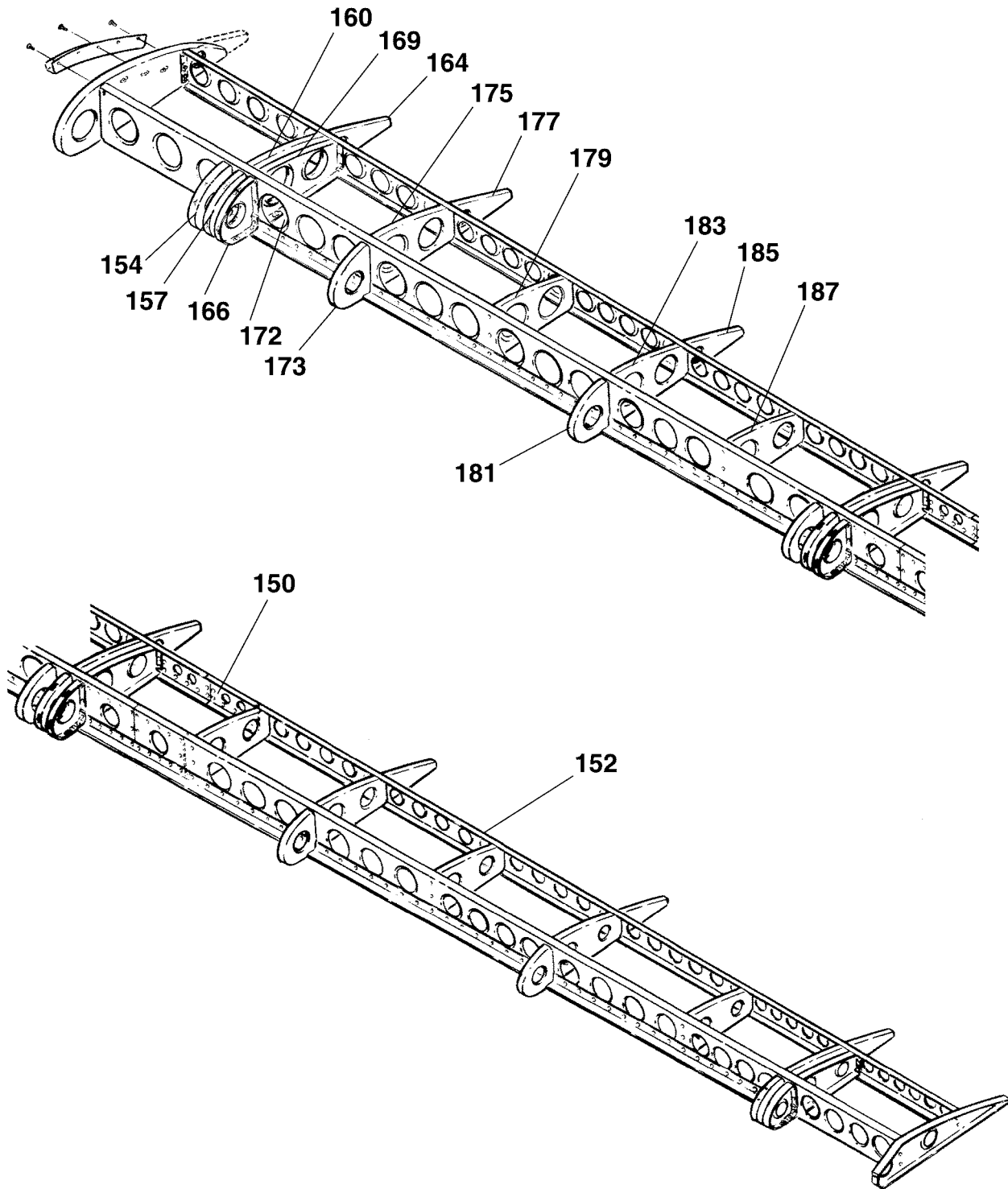
FIG ITEM	PART NUMBER	1 2 3 4 5 6 7	NOMENCLATURE	UNITS PER ASSY		
02						
75	2625013-1		. . . RIB ASSY-FLAP INBD LH REFER TO NOTE 1 .025 2024 T42 . . . . .	0001	0164	01
				B0001	B0194	
- 76	2625013-2		. . . RIB ASSY-FLAP INBD RH REFER TO NOTE 1 .025 2024 T42 . . . . .	0001	0164	01
				B0001	B0194	
- 77	2625013-3		. . . RIB-FLAP INBD LH REFER TO NOTE 2 .025 2024 T42 . . . . .	0165	& ON	01
				B0195	& ON	
- 78	2625013-4		. . . RIB-FLAP INBD RH REFER TO NOTE 2 .025 2024 T42 . . . . .	0165	& ON	01
				B0195	& ON	
79	2625018-1		. . . TRACK-FUSELAGE FLAP LH REFER TO NOTE 1 .063 2024 T42 . . . . .	0001	0164	01
				B0001	B0194	
- 80	2625018-2		. . . TRACK-FUSELAGE FLAP RH REFER TO NOTE 1 .063 2024 T42 . . . . .	0001	0164	01
				B0001	B0194	
81	MS24694-S48		. . . SCREW REFER TO NOTE 1 . . . . .	0001	0164	03
				B0001	B0194	
82	MS21047L3		. . . NUTPLATE REFER TO NOTE 1 . . . . .	0001	0164	03
				B0001	B0194	
83	MS24694-S50		. . . SCREW . . . . .			02
- 83A	AN509-10R8		. . . SCREW-ALT FOR MS24694-S50 . . . . .			02 R
84	2625005-11		. . . SPAR ASSY-FWD INBD LH .032 2024 T42 . . . . .			01
- 85	2625005-12		. . . SPAR ASSY-FWD INBD RH .032 2024 T42 . . . . .			01
86	MS21053L3K		. . . NUTPLATE . . . . .			01
87	2625005-9		. . . ATTACH ANGLE-FRONT SPAR INBD LH .032 2024 T42 . . . . .			01
- 88	2625005-10		. . . ATTACH ANGLE-FRONT SPAR INBD RH .032 2024 T42 . . . . .			01
89	2625006-1		. . . SPLICE-FRONT SPAR LH .032 2024 T42 . . . . .			01
- 90	2625006-2		. . . SPLICE-FRONT SPAR RH .032 2024 T42 . . . . .			01
91	2625005-15		. . . SPAR ASSY-FWD OUTBD LH .032 2024 T42 . . . . .			01
- 92	2625005-16		. . . SPAR ASSY-FWD OUTBD RH .032 2024 T42 . . . . .			01
93	2625005-13		. . . ATTACH ANGLE-FRONT SPAR OUTBD LH .032 2024 T42 . . . . .			01
- 94	2625005-14		. . . ATTACH ANGLE-FRONT SPAR OUTBD RH .032 2024 T42 . . . . .			01
95	2625005-17		. . . SPAR ASSY-REAR INBD LH .020 2024 T42 . . . . .			01
- 96	2625005-18		. . . SPAR ASSY-REAR INBD RH .020 2024 T42 . . . . .			01
97	MS21047L3K		. . . NUTPLATE . . . . .			01

NOTE 1—AIRPLANES -0001 THRU -0164 AND -B0001 THRU -B0194 NOT INCORPORATING SK208-71.

NOTE 2—AIRPLANES -0165 AND ON AND -B0195 & ON, AND AIRPLANES -0001 THRU -0164 AND -B0001 THRU -B0194 INCORPORATING SK208-71.

CESSNA®  
**MODEL 208**  
ILLUSTRATED PARTS CATALOG

A24606



26253001

FLAP ASSEMBLY - STRUCTURE  
FIGURE 02 (SHEET 3)

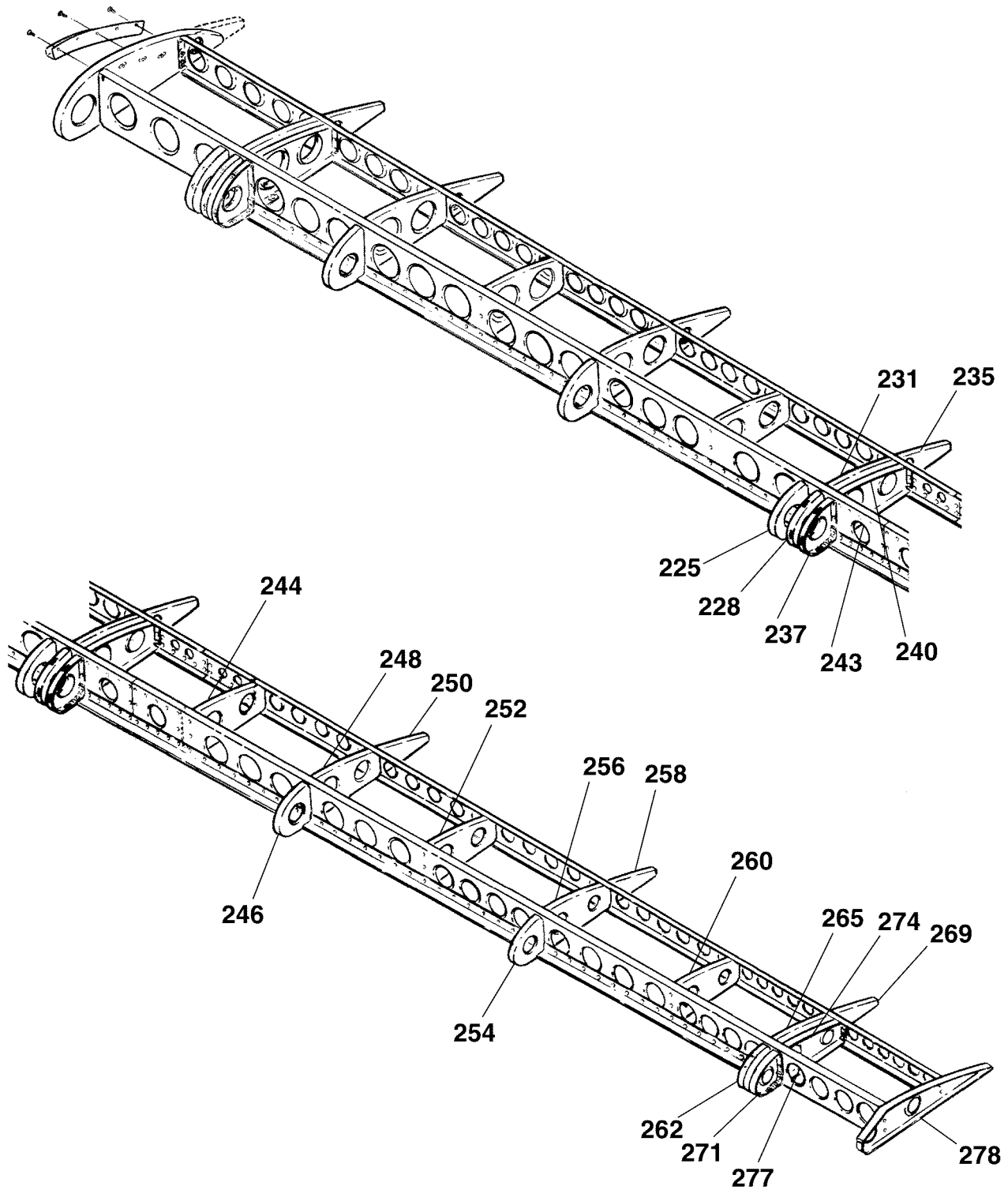
CESSNA®  
**MODEL 208**  
 ILLUSTRATED PARTS CATALOG

FIG ITEM	PART NUMBER	NOMENCLATURE	UNITS
			PER ASSY
		1 2 3 4 5 6 7	
02			
150	2625006-3	.. SPLICE-REAR SPAR LH .020 2024 T42 .....	01
- 151	2625006-4	.. SPLICE-REAR SPAR RH .020 2024 T42 .....	01
152	2625005-7	.. SPAR-REAR OUTBD LH .020 2024 T42 .....	01
- 153	2625005-8	.. SPAR-REAR OUTBD RH .020 2024 T42 .....	01
154	2625009-5	.. RIB ASSY-LEADING EDGE LH .032 2024 T42 .....	01
- 155	2625009-6	.. RIB ASSY-LEADING EDGE RH .032 2024 T42 .....	01
- 156	MS21047L3K	.. NUTPLATE .....	02
157	2625001-15	.. RIB ASSY-LEADING EDGE LH .025 2024 T42 .....	01
- 158	2625001-16	.. RIB ASSY-LEADING EDGE RH .025 2024 T42 .....	01
- 159	MS21047L3K	.. NUTPLATE .....	03
160	2625004-7	.. RIB ASSY-CENTER LH WS 52.81 .032 2024 T42 .....	01
- 161	2625004-8	.. RIB ASSY-CENTER RH WS 52.81 .032 2024 T42 .....	01
- 162	MS21086L3K	.. NUTPLATE FWD .....	01
- 163	MS21047L3K	.. NUTPLATE AFT .....	01
164	2625007-1	.. RIB-TRAILING EDGE LH .020 2024 T42 .....	01
- 165	2625007-2	.. RIB-TRAILING EDGE RH .020 2024 T42 .....	01
166	2625001-27	.. RIB ASSY-LEADING EDGE LH .025 2024 T42 .....	01
- 167	2625001-28	.. RIB ASSY-LEADING EDGE RH .025 2024 T42 .....	01
- 168	MS21047L3K	.. NUTPLATE .....	03
169	2625004-8	.. RIB ASSY-CENTER LH WS 53.50 .032 2024 T42 .....	01
- 170	2625004-7	.. RIB ASSY-CENTER RH WS 53.50 .032 2024 T42 .....	01
- 171	MS21086L3K	.. NUTPLATE FWD .....	01
172	MS21047L3K	.. NUTPLATE AFT .....	01
173	2625001-3	.. RIB-LEADING EDGE LH WS 68.00 .025 2024 T42 .....	01
- 174	2625001-4	.. RIB-LEADING EDGE RH WS 68.00 .025 2024 T42 .....	01
175	2625002-1	.. RIB-CENTER LH WS 68.00 .025 2024 T42 .....	01
- 176	2625002-2	.. RIB-CENTER RH WS 68.00 .025 2024 T42 .....	01
177	2625007-3	.. RIB-TRAILING EDGE LH .020 2024 T42 .....	01
- 178	2625007-4	.. RIB-TRAILING EDGE RH .020 2024 T42 .....	01
179	2625002-3	.. RIB-CENTER LH WS 83.00 .025 2024 T42 .....	01
- 180	2625002-4	.. RIB-CENTER RH WS 83.00 .025 2024 T42 .....	01
181	2625001-5	.. RIB-LEADING EDGE LH WS 97.50 .025 2024 T42 .....	01
- 182	2625001-6	.. RIB-LEADING EDGE RH WS 97.50 .025 2024 T42 .....	01
183	2625002-5	.. RIB-CENTER LH WS 97.50 .025 2024 T42 .....	01
- 184	2625002-6	.. RIB-CENTER RH WS 97.50 .025 2024 T42 .....	01
185	2625007-5	.. RIB-TRAILING EDGE LH .020 2024 T42 .....	01
- 186	2625007-6	.. RIB-TRAILING EDGE RH .020 2024 T42 .....	01
187	2625002-7	.. RIB-CENTER LH WS 112.00 .025 2024 T42 .....	01
- 188	2625002-8	.. RIB-CENTER RH WS 112.00 .025 2024 T42 .....	01

- ITEM NOT ILLUSTRATED

CESSNA®  
**MODEL 208**  
ILLUSTRATED PARTS CATALOG

A24607



26253001

FLAP ASSEMBLY - STRUCTURE  
FIGURE 02 (SHEET 4)

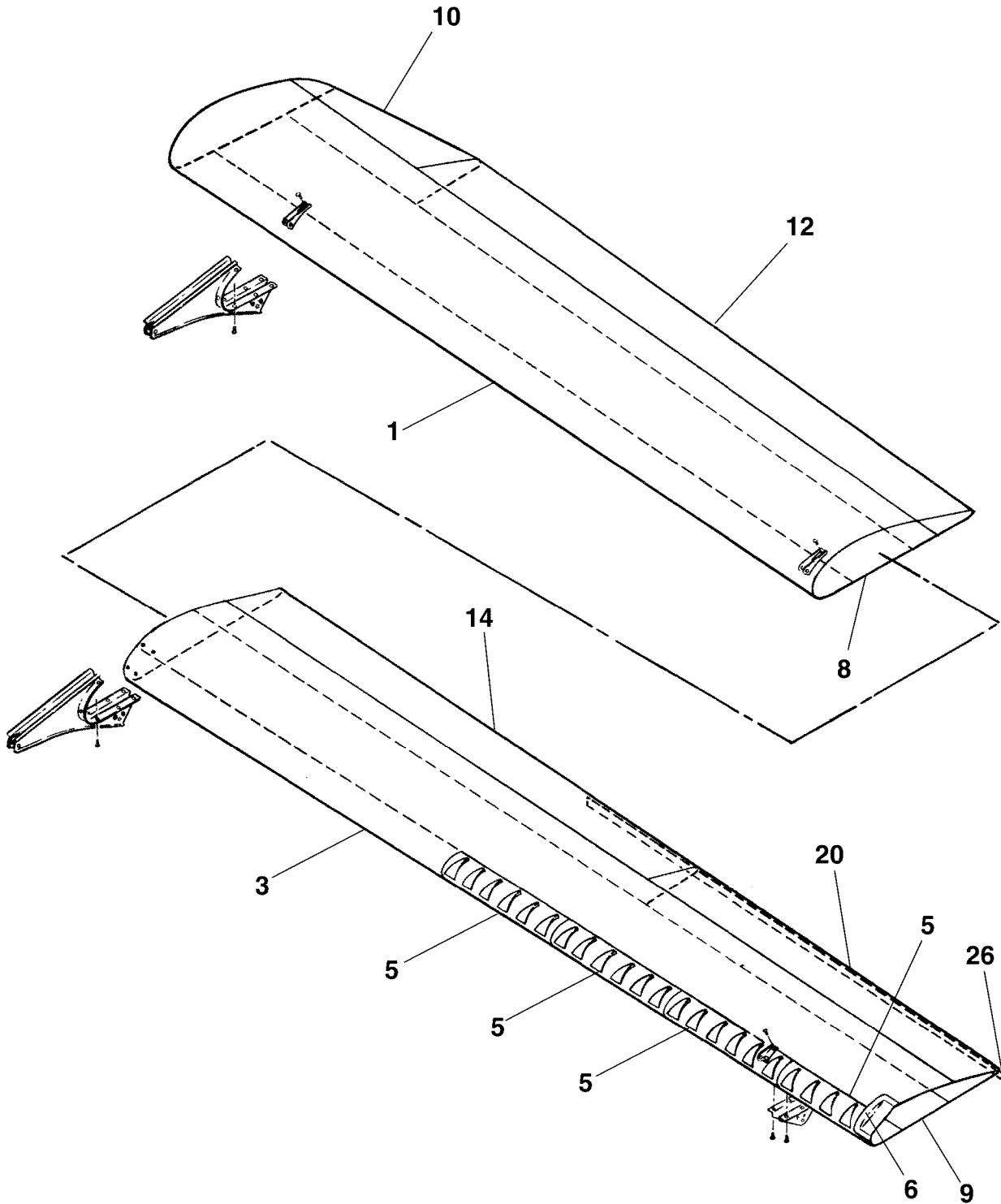
**CESSNA®**  
**MODEL 208**  
**ILLUSTRATED PARTS CATALOG**

FIG ITEM	PART NUMBER	NOMENCLATURE	UNITS
			PER ASSY
		1 2 3 4 5 6 7	
02			
225	2625009-7	.. RIB ASSY-LEADING EDGE LH .032 2024 T42 .....	01
- 226	2625009-8	.. RIB ASSY-LEADING EDGE RH .032 2024 T42 .....	01
- 227	MS21047L3K	.. NUTPLATE .....	02
228	2625001-17	.. RIB ASSY-LEADING EDGE LH .025 2024 T42 .....	01
- 229	2625001-18	.. RIB ASSY-LEADING EDGE RH .025 2024 T42 .....	01
- 230	MS21047L3K	.. NUTPLATE .....	03
231	2625004-9	.. RIB ASSY-CENTER LH WS 126.32 .032 2024 T42 .....	01
- 232	2625004-10	.. RIB ASSY-CENTER RH WS 126.32 .032 2024 T42 .....	01
- 233	MS21086L3K	.. NUTPLATE FWD .....	01
- 234	MS21047L3K	.. NUTPLATE AFT .....	01
235	2625007-7	.. RIB-TRAILING EDGE LH .020 2024 T42 .....	01
- 236	2625007-8	.. RIB-TRAILING EDGE RH .020 2024 T42 .....	01
237	2625001-31	.. RIB ASSY-LEADING EDGE LH .025 2024 T42 .....	01
- 238	2625001-32	.. RIB ASSY-LEADING EDGE RH .025 2024 T42 .....	01
- 239	MS21047L3K	.. NUTPLATE .....	03
240	2625004-10	.. RIB ASSY-CENTER LH WS 127.00 .032 2024 T42 .....	01
- 241	2625004-9	.. RIB ASSY-CENTER RH WS 127.00 .032 2024 T42 .....	01
- 242	MS21086L3K	.. NUTPLATE FWD .....	01
243	MS21047L3K	.. NUTPLATE AFT .....	01
244	2625002-9	.. RIB-CENTER LH WS 141.20 .020 2024 T42 .....	01
- 245	2625002-10	.. RIB-CENTER RH WS 141.20 .020 2024 T42 .....	01
246	2625001-9	.. RIB-LEADING EDGE LH .020 2024 T42 .....	01
- 247	2625001-10	.. RIB-LEADING EDGE RH .020 2024 T42 .....	01
248	2625002-11	.. RIB-CENTER LH WS 155.90 .020 2024 T42 .....	01
- 249	2625002-12	.. RIB-CENTER RH WS 155.90 .020 2024 T42 .....	01
250	2625007-9	.. RIB-TRAILING EDGE LH .020 2024 T42 .....	01
- 251	2625007-10	.. RIB-TRAILING EDGE RH .020 2024 T42 .....	01
252	2625002-13	.. RIB-CENTER LH WS 170.60 .020 2024 T42 .....	01
- 253	2625002-14	.. RIB-CENTER RH WS 170.60 .020 2024 T42 .....	01
254	2625001-11	.. RIB-LEADING EDGE LH .020 2024 T42 .....	01
- 255	2625001-12	.. RIB-LEADING EDGE RH .020 2024 T42 .....	01
256	2625002-15	.. RIB-CENTER LH WS 185.30 .020 2024 T42 .....	01
- 257	2625002-16	.. RIB-CENTER RH WS 185.30 .020 2024 T42 .....	01
258	2625007-11	.. RIB-TRAILING EDGE LH .020 2024 T42 .....	01
- 259	2625007-12	.. RIB-TRAILING EDGE RH .020 2024 T42 .....	01
260	2625002-17	.. RIB-CENTER LH WS 201.75 .020 2024 T42 .....	01
- 261	2625002-18	.. RIB-CENTER RH WS 201.75 .020 2024 T42 .....	01
262	2625001-19	.. RIB ASSY-LEADING EDGE LH .020 2024 T42 .....	01
- 263	2625001-20	.. RIB ASSY-LEADING EDGE RH .020 2024 T42 .....	01
- 264	MS21047L3K	.. NUTPLATE .....	02
265	2625004-11	.. RIB ASSY-CENTER LH .032 2024 T42 .....	01
- 266	2625004-12	.. RIB ASSY-CENTER RH .032 2024 T42 .....	01
- 267	MS21086L3K	.. NUTPLATE FWD .....	01
- 268	MS21047L3K	.. NUTPLATE AFT .....	01
269	2625007-13	.. RIB-TRAILING EDGE LH .020 2024 T42 .....	01
- 270	2625007-14	.. RIB-TRAILING EDGE RH .020 2024 T42 .....	01
271	2625001-23	.. RIB ASSY-LEADING EDGE LH .020 2024 T42 .....	01
- 272	2625001-24	.. RIB ASSY-LEADING EDGE RH .020 2024 T42 .....	01
- 273	MS21047L3K	.. NUTPLATE .....	01
274	2625004-12	.. RIB ASSY-CENTER LH .032 2024 T42 .....	01
- 275	2625004-11	.. RIB ASSY-CENTER RH .032 2024 T42 .....	01
- 276	MS21086L3K	.. NUTPLATE FWD .....	01
277	MS21047L3K	.. NUTPLATE AFT .....	01
278	2625003-1	.. RIB-OUTBD LH .025 2024 T42 .....	01
- 279	2625003-2	.. RIB-OUTBD RH .025 2024 T42 .....	01

- ITEM NOT ILLUSTRATED

CESSNA®  
**MODEL 208**  
ILLUSTRATED PARTS CATALOG

A24608



26253001

FLAP ASSEMBLY - SKIN  
FIGURE 03 (SHEET 1)

**CESSNA®**  
**MODEL 208**  
**ILLUSTRATED PARTS CATALOG**

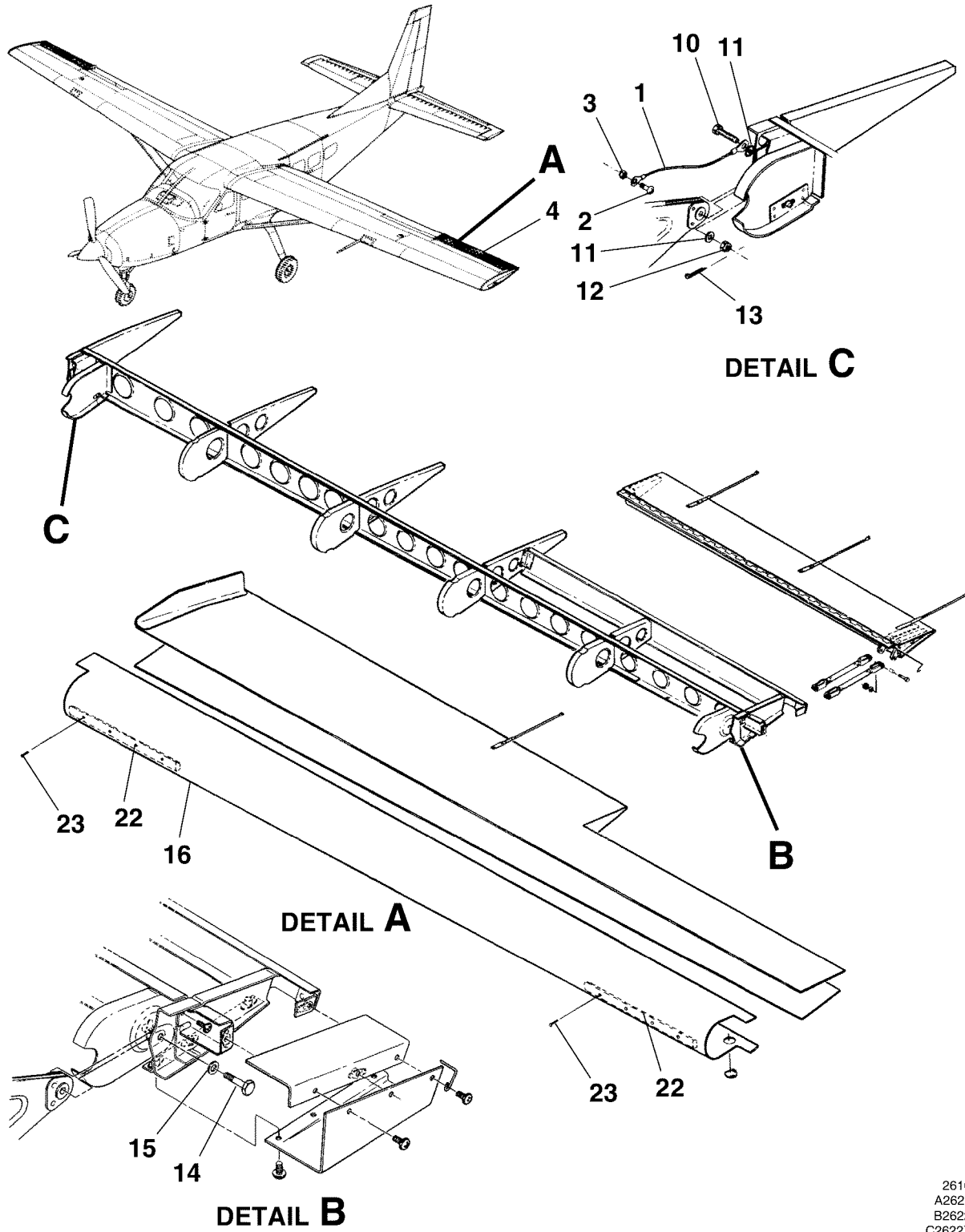
FIG ITEM	PART NUMBER	NOMENCLATURE	UNITS		
			PER	ASSY	
03		FLAP ASSEMBLY - SKIN			RF
-					
1	2625000-15	. SKIN-LEADING EDGE INBD LH .025 2024 T3			01
- 2	2625000-16	. SKIN-LEADING EDGE INBD RH .025 2024 T3			01
3	2625000-13	. SKIN-LEADING EDGE OUTBD LH .025 2024 T3			01
- 4	2625000-14	. SKIN-LEADING EDGE OUTBD RH .025 2024 T3			01
5	4D2007	. VORTEX GENERATOR	V03481	B0001 & ON	04
6	2625011-1	. PAN-OUTBD FLAP CLOSURE LH .025 2024 T42			01
- 7	2625011-2	. PAN-OUTBD FLAP CLOSURE RH .025 2024 T42			01
8	2625000-11	. SKIN-LOWER INBD .020 2024 T3			01
9	2625000-9	. SKIN-LOWER OUTBD .020 2024 T3			01
10	2625000-5	. SKIN-TRAILING EDGE INBD LH .020 2024 T3			01
- 11	2625000-12	. SKIN-TRAILING EDGE INBD RH .020 2024 T3			01
12	2625000-3	. SKIN-TRAILING EDGE LH .020 2024 T3			01
- 13	2625000-4	. SKIN-TRAILING EDGE RH .020 2024 T3			01
14	2625000-17	. SKIN-TRAILING EDGE LH .020 2024 T3		0001 & ON	01
- 15	2625000-25	. SKIN-TRAILING EDGE LH FSO 2625000-35		B0001 B0298	NP
- 16	2625000-35	. SKIN-TRAILING EDGE LH .020 2024 T3		B0299 & ON	01
- 17	2625000-18	. SKIN-TRAILING EDGE RH .020 2024 T3		0001 & ON	01
- 18	2625000-26	. SKIN-TRAILING EDGE RH FSO 2625000-36		B0001 B0298	NP
- 19	2625000-36	. SKIN-TRAILING EDGE RH .020 2024 T3		B0299 & ON	01
20	2625000-7	. SKIN-TRAILING EDGE OUTBD LH .020 2024 T3		0001 & ON	01
- 21	2625000-23	. SKIN-TRAILING EDGE OUTBD LH .020 2024 T3		B0001 B0298	01
- 22	2625000-33	. SKIN-TRAILING EDGE OUTBD LH .020 2024 T3		B0299 & ON	01
- 23	2625000-8	. SKIN-TRAILING EDGE OUTBD RH .020 2024 T3		0001 & ON	01
- 24	2625000-24	. SKIN-TRAILING EDGE OUTBD RH .020 2024 T3		B0001 B0298	01
- 25	2625000-34	. SKIN-TRAILING EDGE OUTBD RH .020 2024 T3		B0299 & ON	01
26	2625000-21	. GURNEY FLAP-LH .032 2024 T3		B0001 B0298	01
- 27	2625000-31	. GURNEY FLAP-LH .032 2024 T3		B0299 & ON	01
- 28	2625000-22	. GURNEY FLAP-RH .032 2024 T3		B0001 B0298	01
- 29	2625000-32	. GURNEY FLAP-RH .032 2024 T3		B0299 & ON	01
- 30	2625027-1	. GURNEY FLAP-LH & RH-USED WITH 2625000-63 & -64 FLAP ASSEMBLY		B2256 & ON	01 R
		REFER TO NOTE 1			

NOTE 1—THIS PART WAS INSTALLED WITH TKS SYSTEMS ON PRODUCTION AIRCRAFT AND IS ALSO AFFECTED BY ONE OR MORE OF THE FOLLOWING SERVICE BULLETINS OR KITS: SK208-174, SK208-175, SK208-179, SK208-180, CAB09-9, AND CAB08-7. PLEASE REFER TO THE SPECIFIC CAB OR SERVICE KIT FOR SERIAL SPECIFIC ORDERING INFORMATION.

R

CESSNA®  
**MODEL 208**  
ILLUSTRATED PARTS CATALOG

A24610



AILERON INSTALLATION  
FIGURE 01 (SHEET 1)

26107002  
A26223002  
B26221009  
C2622X1010



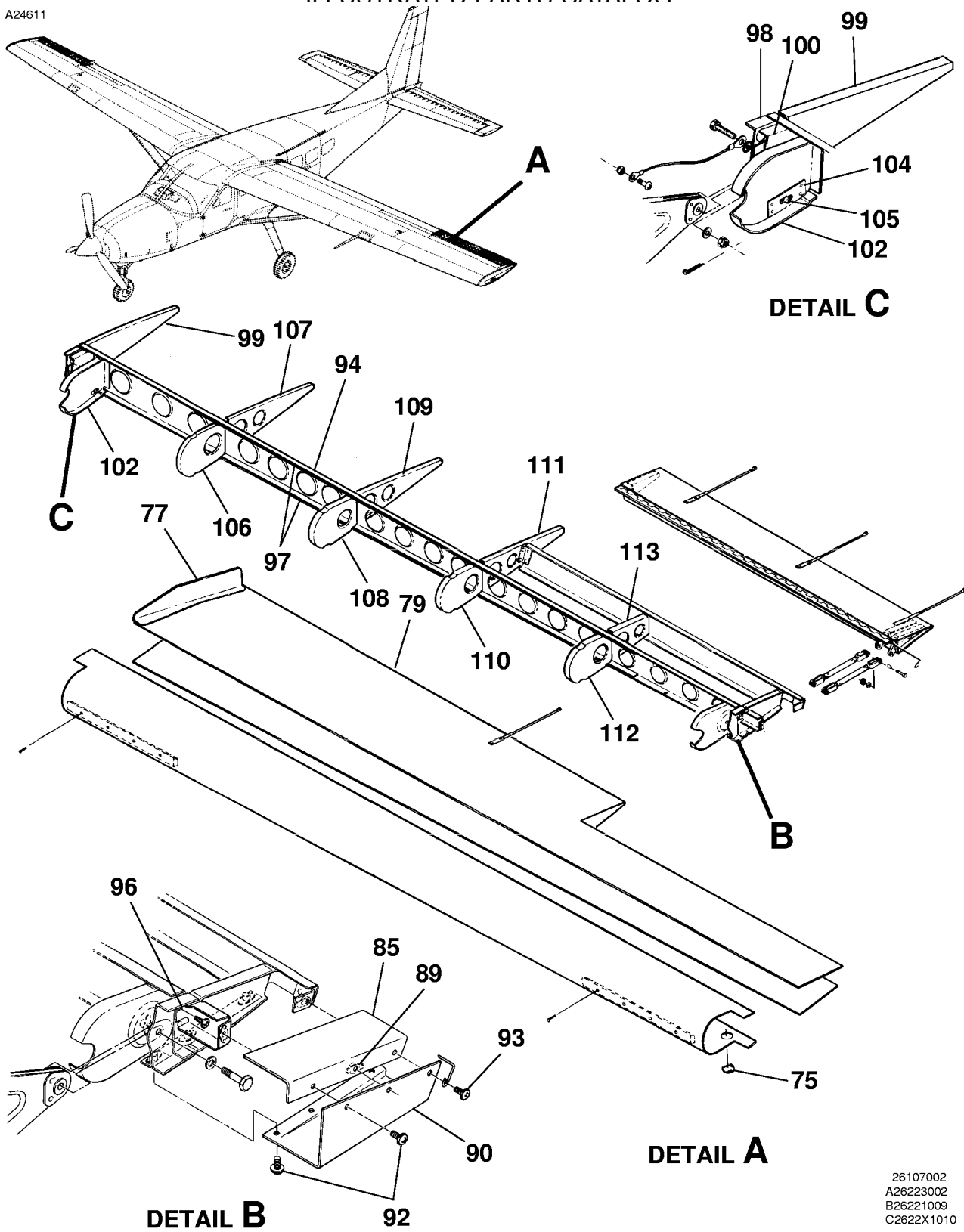
CESSNA®  
**MODEL 208**  
 ILLUSTRATED PARTS CATALOG

FIG ITEM	PART NUMBER	NOMENCLATURE	UNITS PER ASSY		
			1	2	3
01		AILERON INSTALLATION			RF
-					
1	1570102-32	. GROUND STRAP ASSY-STATIC DISCHARGER . . . . .			01
		ATTACHING PARTS			
2	MS35206-243	. SCREW . . . . .			01
3	MS21044N08	. NUT . . . . .			01
		—*—			
4	2624000-1	. AILERON ASSY-LH FSO 2624000-41 . . . . .	0001	0089	NP
- 5	2624000-41	. AILERON ASSY-LH . . . . .	0090	& ON	01
- 6	2624000-57	. AILERON ASSY-LH . . . . .	B0001	& ON	01
- 7	2624000-2	. AILERON ASSY-RH FSO 2624000-42 . . . . .	0001	0089	NP
- 8	2624000-42	. AILERON ASSY-RH . . . . .	0090	& ON	01
- 9	2624000-58	. AILERON ASSY-RH . . . . .	B0001	& ON	01
		ATTACHING PARTS			
10	AN4-12	. BOLT . . . . .			01
11	NAS1149F0463P	. WASHER . . . . .			02
12	MS17825-4	. NUT . . . . .			01
13	MS24665-134	. COTTER PIN . . . . .			01
14	AN4H11A	. BOLT REFER TO NOTE 1 . . . . .	0233	0369	01
			B0350	B1038	
- 14A	MS20004H12	. BOLT REFER TO NOTE 1 . . . . .	0370	& ON	01
			B1039	& ON	
15	NAS1149F0432P	. WASHER REFER TO NOTE 1 . . . . .			01
		—*—			
16	2624000-3	. . SKIN-FWD LH .025 2024 T42 FSO 2624000-63 . . . . .	0001	0089	NP R
- 17	2624000-53	. . SKIN-FWD LH FSO 2624000-63 . . . . .	0090	0224	NP
			B0001	B0329	
- 18	2624000-63	. . SKIN-FWD LH .025 2024 T3 . . . . .	0225	& ON	01
			B0330	& ON	
- 19	2624000-4	. . SKIN-FWD RH .025 2024 T42 FSO 2624000-64 . . . . .	0001	0089	NP R
- 20	2624000-54	. . SKIN-FWD RH FSO 2624000-64 . . . . .	0090	0224	NP
			B0001	B0329	
- 21	2624000-64	. . SKIN-FWD RH .025 2024 T42 . . . . .	0225	& ON	01
			B0330	& ON	
22	2624017-1	. . WEIGHT ASSY-AILERON BALANCE . . . . .			02
		ATTACHING PARTS			
23	MS24694-S15	. . SCREW . . . . .			04
		—*—			
- 24	2624018-1	. . STIFFENER UPR AND LWR AILERON SKINS . . . . .	0385	& ON	02
			B1106	& ON	

NOTE 1—AIRPLANES -0001 THRU -0232 AND -B0001 THRU -B0349, WHEN INITIALLY REPLACING THIS PART, ORDER SK208-116.

CESSNA®  
**MODEL 208**  
 ILLUSTRATED PARTS CATALOG

A24611



AILERON INSTALLATION  
 FIGURE 01 (SHEET 2)

26107002  
 A26223002  
 B26221009  
 C2622X1010

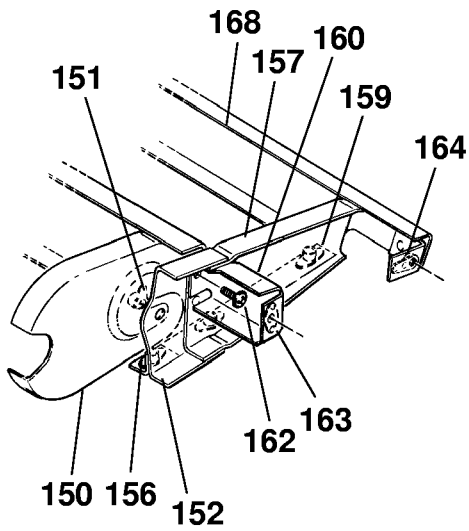
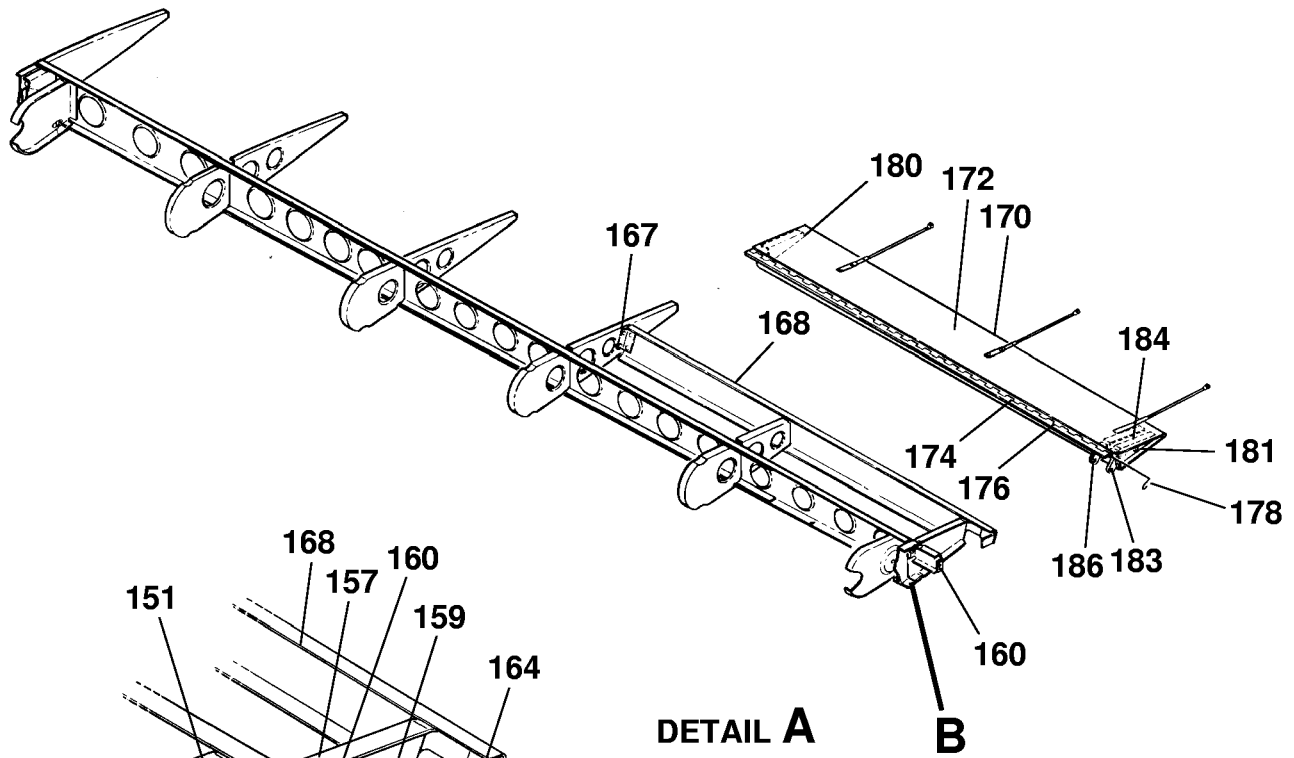
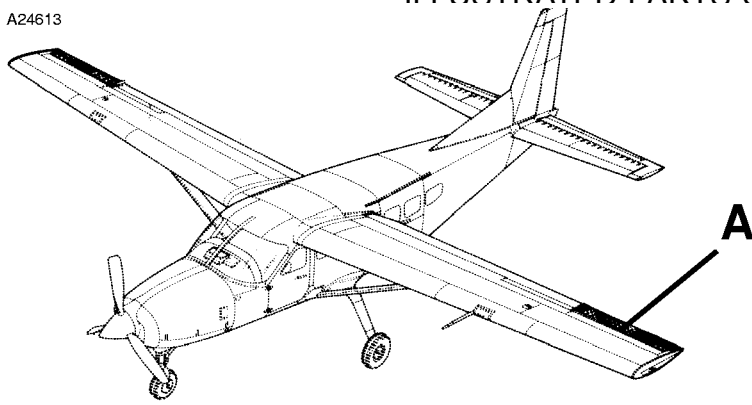
**CESSNA®**  
**MODEL 208**  
**ILLUSTRATED PARTS CATALOG**

FIG ITEM	PART NUMBER	1 2 3 4 5 6 7	NOMENCLATURE	UNITS PER ASSY		
01						
75	CM2692-32J1S		.. PLUG BUTTON .....	0001	0224	02
				B0001	B0329	
- 76	CM2692-26J1S		.. PLUG BUTTON .....	0225	& ON	02
				B0330	& ON	
77	2624000-27		.. FENCE-AILERON LH .040 2024 T42 .....	0001	& ON	01
- 78	2624000-28		.. FENCE-AILERON RH .040 2024 T42 .....	0001	& ON	01
79	2624000-5		.. SKIN-AFT LH .016 2024 T42 .....	0001	0089	01
- 80	2624000-55		.. SKIN-AFT LH .016 2024 T42 .....	0090	& ON	01
- 81	2624000-59		.. SKIN-AFT LH .016 2024 T42 .....	B0001	& ON	01
- 82	2624000-6		.. SKIN-AFT RH .016 2024 T42 .....	0001	0089	01
- 83	2624000-56		.. SKIN-AFT RH .016 2024 T42 .....	0090	& ON	01
- 84	2624000-60		.. SKIN-AFT RH .016 2024 T42 .....	B0001	& ON	01
85	2624000-23		.. SKIN ASSY-TIP UPR LH .025 2024 T42 .....	0001	0089	01
- 86	2624000-51		.. SKIN ASSY-TIP UPR LH .025 2024 T42 .....	0090	& ON	01
				B0001	& ON	
- 87	2624000-24		.. SKIN ASSY-TIP UPR RH .025 2024 T42 .....	0001	0089	01
- 88	2624000-52		.. SKIN ASSY-TIP UPR RH .025 2024 T42 .....	0090	& ON	01
				B0001	& ON	
89	MS21069L3K		.. . NUTPLATE .....			01
90	2624000-61		.. SKIN-TIP LWR LH .025 2024 T3 .....			01
- 91	2624000-62		.. SKIN-TIP LWR RH .025 2024 T3 .....			01
			ATTACHING PARTS			
92	AN525-10R8		.. SCREW .....			05
93	AN525-10R10		.. SCREW .....			01
			—*—			
94	2624000-37		.. SPAR ASSY-AILERON LH .032 2024 T42 .....			01
- 95	2624000-36		.. SPAR ASSY-AILERON RH .032 2024 T42 .....			01
96	MS21071-08		.. . NUTPLATE .....			01
97	2524027-1		.. DOUBLER-SPAR .032 2024 T42 .....			02
98	2524026-2		.. RIB ASSY-FWD .040 2024 T42 .....			01
99	2524013-1		.. RIB-AFT .....			01
100	2524014-3		.. RIB ASSY-FWD LH .040 2024 T42 .....			01
- 101	2524014-4		.. RIB ASSY-FWD RH .040 2024 T42 .....			01
102	2524012-1		.. RIB ASSY-FWD LH .040 2024 T42 .....			01
- 103	2524012-2		.. RIB ASSY-FWD RH .040 2024 T42 .....			01
104	2524031-2		.. . BRACKET ASSY-SUPPORT .032 4130 90K .....			01
105	NAS686A4		.. . NUTPLATE .....			01
106	2524009-4		.. RIB-FWD .025 2024 T42 .....			01
107	2524007-4		.. RIB-AFT .020 2024 T42 .....			01
108	2524009-3		.. RIB-FWD .025 2024 T42 .....			01
109	2524007-3		.. RIB-AFT .020 2024 T42 .....			01
110	2524009-2		.. RIB-FWD .025 2024 T42 .....			01
111	2524007-2		.. RIB-AFT .020 2024 T42 .....			01
112	2524009-1		.. RIB-FWD .025 2024 T42 .....			01
113	2524029-1		.. RIB-AFT .020 2024 T42 .....			01

- ITEM NOT ILLUSTRATED

CESSNA®  
**MODEL 208**  
ILLUSTRATED PARTS CATALOG

A24613



**DETAIL B**

**DETAIL A**

**AILERON INSTALLATION**  
FIGURE 01 (SHEET 3)

26107002  
A2622X3002  
B26221009

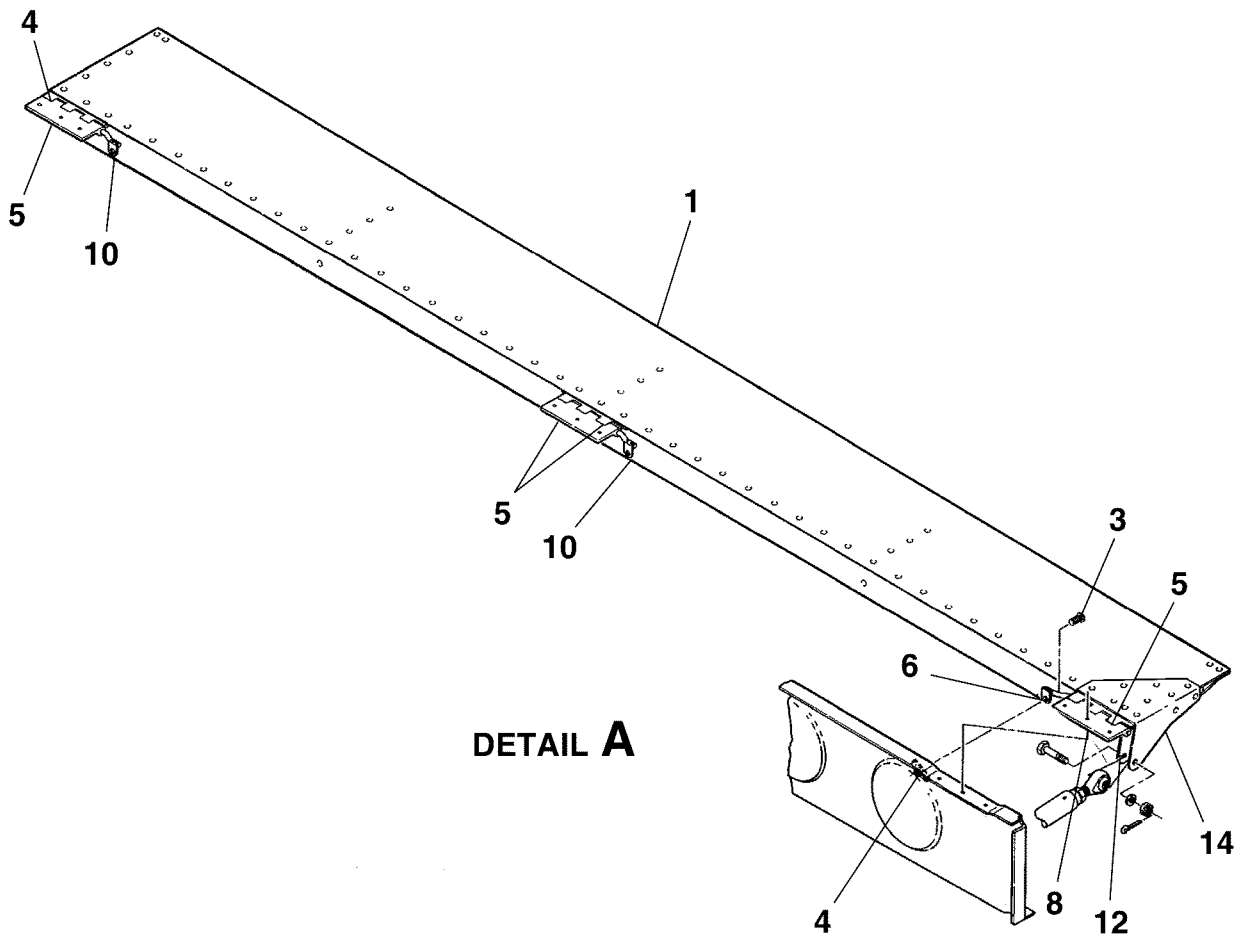
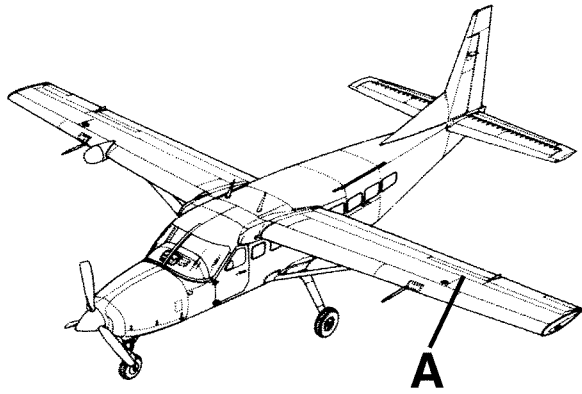
**CESSNA®**  
**MODEL 208**  
**ILLUSTRATED PARTS CATALOG**

FIG ITEM	PART NUMBER	1 2 3 4 5 6 7	NOMENCLATURE	UNITS	
				PER	ASSY
01					
150	2524011-1		.. RIB ASSY-FWD .040 2024 T42 .....		01
151	MS21047L4K		.. NUTPLATE .....		01
152	2624000-11		.. RIB ASSY-FWD LH .040 2024 T42 .....	0001 0089	01
- 153	2624000-43		.. RIB ASSY-FWD LH .040 2024 T42 .....	0090 & ON	01
				B0001 & ON	
- 154	2624000-12		.. RIB ASSY-FWD RH .040 2024 T42 .....	0001 0089	01
- 155	2624000-44		.. RIB ASSY-FWD RH .040 2024 T42 .....	0090 & ON	01
				B0001 & ON	
156	MS21069L3		.. NUTPLATE .....		01
157	2624000-7		.. RIB ASSY-AFT LH .025 2024 T42 .....		01
- 158	2624000-8		.. RIB ASSY-AFT RH .025 2024 T42 .....		01
159	MS21069L3		.. NUTPLATE .....		02
160	2624014-1		.. SPAR ASSY-AILERON TIP LH .025 2024 T42 .....		01
- 161	2624014-2		.. SPAR ASSY-AILERON TIP RH .025 2024 T42 .....		01
			ATTACHING PARTS		
162	AN525-8R8		.. SCREW .....		01
			—*—		
163	MS21069L3K		.. NUTPLATE .....		01
164	2624000-21		.. CLIP ASSY-LH .025 2024 T42 .....		01
- 165	2624000-32		.. CLIP ASSY-RH .025 2024 T42 .....		01
- 166	MS21071L3K		.. NUTPLATE .....		01
167	2624000-30		.. CLIP .040 2024 T42 .....		01
168	2624013-1		.. INTERCOSTAL-LH .016 2024 T42 .....		01
- 169	2624013-2		.. INTERCOSTAL-RH .016 2024 T42 .....		01
170	2624012-1		.. TRIM TAB ASSY-AILERON LH .....		01
- 171	2624012-2		.. TRIM TAB ASSY-AILERON RH .....		01
172	2624012-3		.. SKIN-LH .016 2024 T42 .....		01
- 173	2624012-4		.. SKIN-RH .016 2024 T42 .....		01
174	2624012-7		.. HINGE HALF-FWD LH S259-31T32.5 .....		01
- 175	2624012-8		.. HINGE HALF-FWD RH S269-31T32.5 .....		01
176	2624012-9		.. HINGE HALF-AFT LH S269-31T32.5 .....		01
- 177	2624012-10		.. HINGE HALF-AFT RH S259-31T32.5 .....		01
178	2624012-15		.. PIN-HINGE LH MS20253P2-341 .....		01
- 179	2624012-16		.. PIN-HINGE RH MS20253P2-341 .....		01
180	2524016-1		.. RIB .....		01
181	2624012-11		.. RIB ASSY-LH .032 2024 T42 .....		01
- 182	2624012-12		.. RIB ASSY-RH .032 2024 T42 .....		01
183	2624012-17		.. ARM .063 2024 T42 .....		02
184	2624012-12		.. RIB ASSY-LH .032 2024 T42 .....		01
- 185	2624012-11		.. RIB ASSY-RH .032 2024 T42 .....		01
186	2624012-17		.. ARM .063 2024 T42 .....		02

- ITEM NOT ILLUSTRATED

CESSNA®  
**MODEL 208**  
ILLUSTRATED PARTS CATALOG

A24614



26107002  
A26244001

WING SPOILER INSTALLATION  
FIGURE 01 (SHEET 1)

CESSNA®  
**MODEL 208**  
 ILLUSTRATED PARTS CATALOG

FIG ITEM	PART NUMBER	NOMENCLATURE	UNITS PER ASSY		
			1	2	3
01		WING SPOILER INSTALLATION			RF
-					
1	2622187-1	. SPOILER ASSY LH WING REFER TO NOTE 1 . . . . .	0001	0651	01 R
			B0001	B5501	
- 1A	2622187-25	. SPOILER ASSY LH WING . . . . .	0652	& ON	01 R
			B5502	& ON	
- 2	2622187-2	. SPOILER ASSY RH WING REFER TO NOTE 1 . . . . .	0001	0651	01 R
			B0001	B5501	
- 2A	2622187-26	. SPOILER ASSY RH WING . . . . .	0652	& ON	01 R
			B5502	& ON	
		ATTACHING PARTS			
3	MS35207-261	. SCREW . . . . .			03
4	MS21047L3	. NUTPLATE . . . . .			03
		—*			
5	2622187-7	. . HINGE MS20001H8-300 . . . . .			05
6	2622226-2	. . PIN ASSY-HINGE RH . . . . .			01
- 7	2622226-1	. . PIN ASSY-HINGE LH . . . . .			01
8	2622187-8	. . HINGE-LH MS20001H8-300 . . . . .			01
- 9	2622187-24	. . HINGE-RH MS20001H8-300 . . . . .			01
10	2622226-1	. . PIN ASSY-HINGE LH . . . . .			01
- 11	2622226-2	. . PIN ASSY-HINGE RH . . . . .			01
12	2622187-19	. . ARM-INBD LH .063 2024 T42 . . . . .			01
- 13	2622187-20	. . ARM-INBD RH .063 2024 T42 . . . . .			01
14	2622187-21	. . ARM-OUTBD LH .063 2024 T42 . . . . .			01
- 15	2622187-22	. . ARM-OUTBD RH .063 2024 T42 . . . . .			01

NOTE 1—MATERIAL FOR SKIN IS .025 2024 T42 MATERIAL FOR RIBS IS .020 2024 T42.